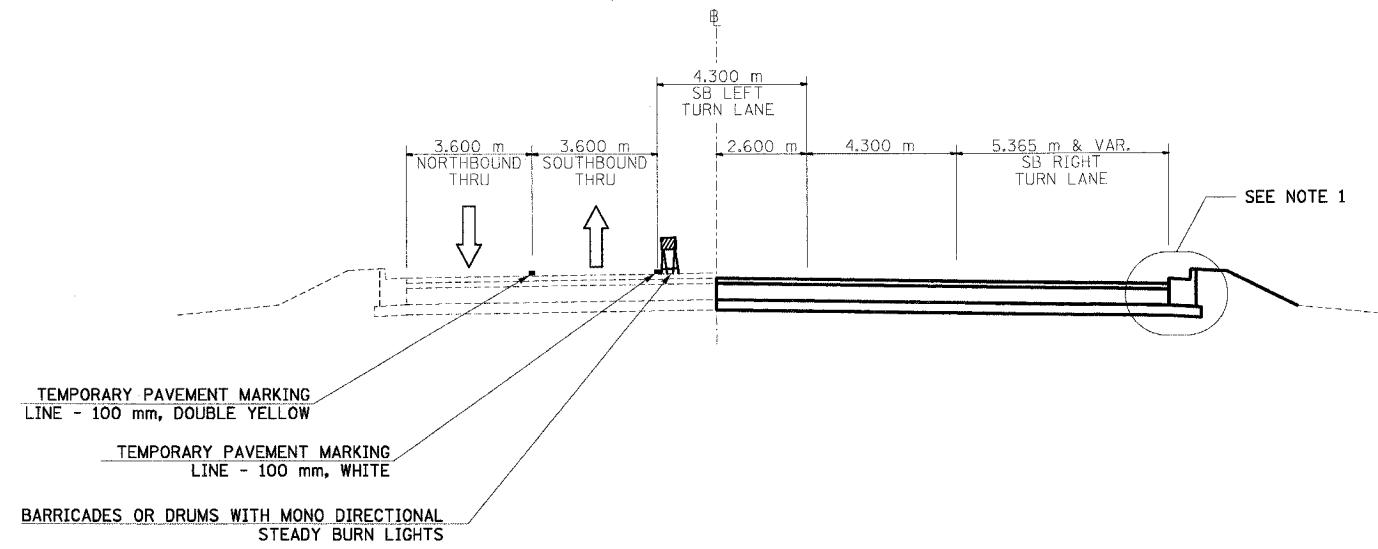


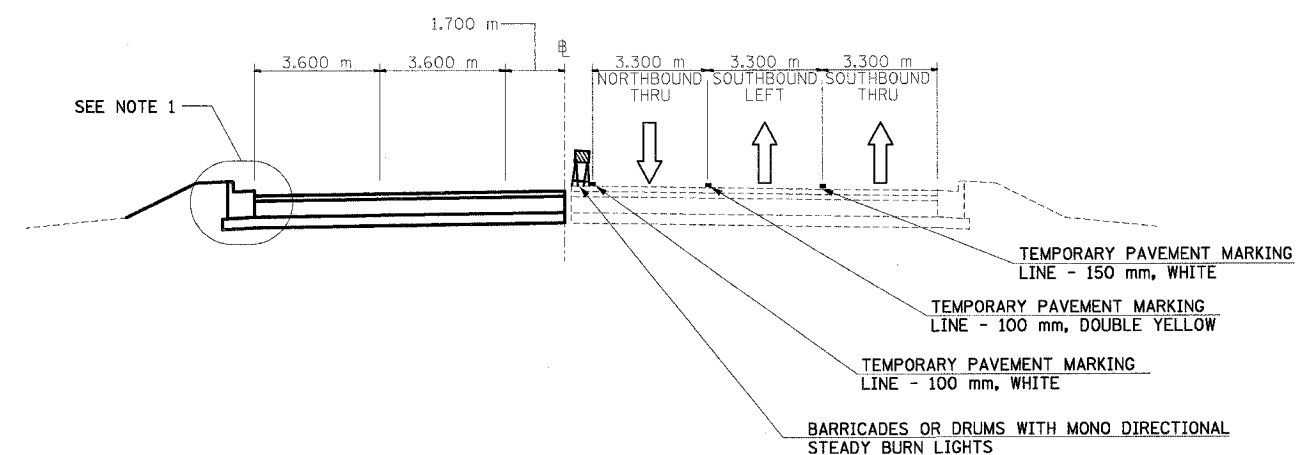
F.A.I. RTE.	SECTION	COUNTY	TOTAL SHEETS	SHEET NO.
74	*	TAZEWELL	1366	177
STA.		TO STA.		
FED. ROAD DIST. NO.		ILLINOIS FED. AID PROJECT		

\*(90-11)R-2;90(13,14,14-1)R-1



**BLACKJACK BLVD MOT TYPICAL SECTION STAGE 1**

STA. 99+967.649 TO STA. 99+985.050  
(LOOKING SOUTH TOWARD NORTH MAIN STREET)



**BLACKJACK BLVD MOT TYPICAL SECTION STAGE 2**

STA. 99+967.649 TO STA. 99+985.050  
(LOOKING SOUTH TOWARD NORTH MAIN STREET)

- NOTES: 1. USE DISTRICT 4 STANDARD 602401-D4, TEMPORARY INLET DRAINAGE TREATMENT  
2. ONLY BINDER IS PLACED IN WORKZONE AREAS  
3. BLACKJACK BLVD SHALL REMAIN OPEN AT ALL TIMES IN ACCORDANCE WITH STANDARD 701701

REVISIONS	
NAME	DATE

ILLINOIS DEPARTMENT OF TRANSPORTATION  
FAI ROUTE 74 (I-74)  
MAINTENANCE OF TRAFFIC  
STAGE 3A-3  
BLACKJACK BLVD. WEST LEG  
TYPICAL SECTION  
DATE 12/20/2004  
DRAWN BY KMO  
CHECKED BY RTG

