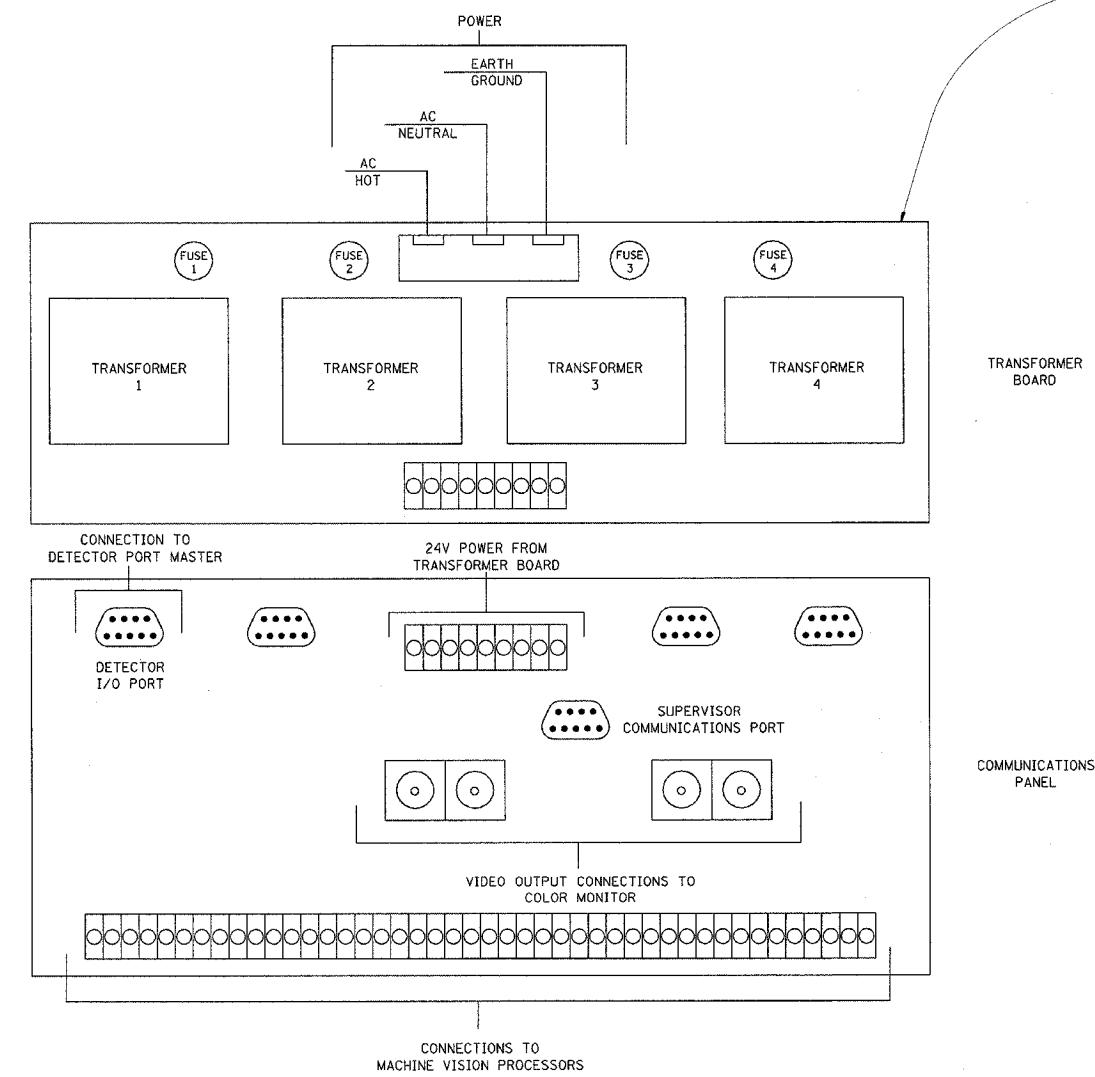
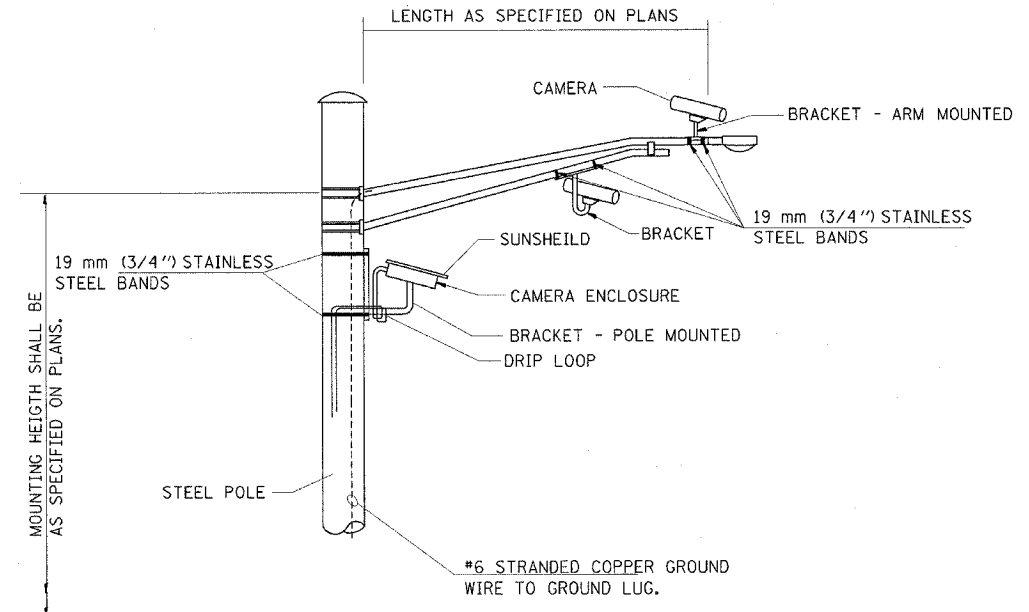


**VIDEO DETECTION SYSTEM INSTALLATION  
ARM MOUNTED OR POLE MOUNTED CAMERA**



REVISIONS	
NAME	DATE
WCD	31OCT97

ILLINOIS DEPARTMENT OF TRANSPORTATION  
**VIDEO DETECTION SYSTEM  
INSTALLATION DETAIL**

SCALE: VERT.     DRAWN BY  
          HORIZ.     CHECKED BY  
DATE