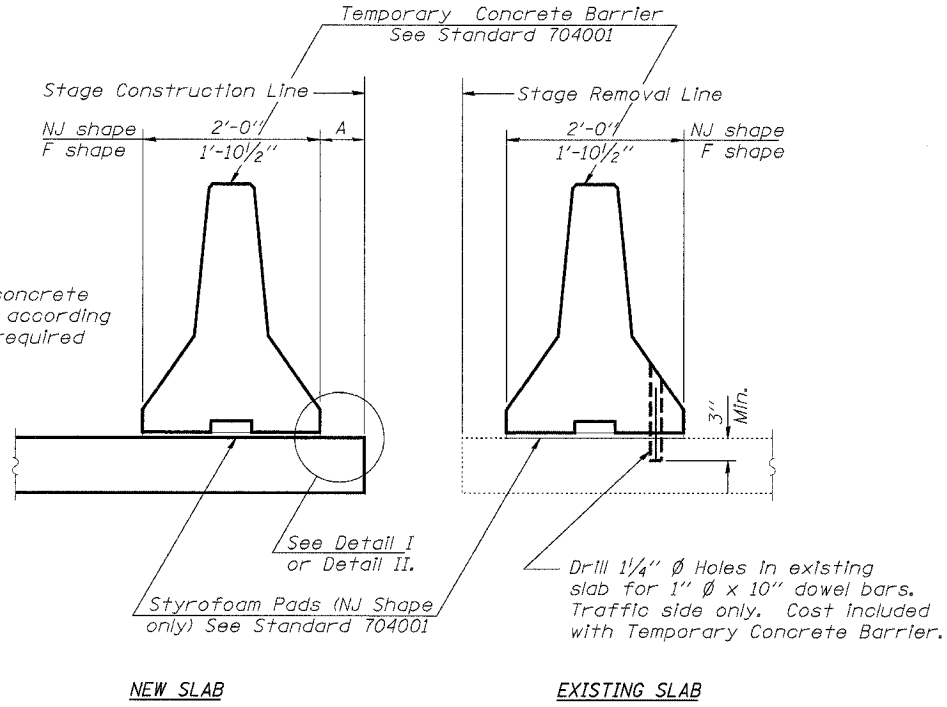


72935

STATE OF ILLINOIS
DEPARTMENT OF TRANSPORTATION

ROUTE NO.	SECTION	COUNTY	TOTAL SHEETS	SHEET NO.
F.A.P. 714	134B	CHRISTIAN	23	16
FED. ROAD DIST. NO.	ILLINOIS	FED. AID PROJECT		

SHEET NO. 3
OF 10 SHEETS



When "A" is 3'-6" or less, the temporary concrete barrier shall be Anchored to the new slab according to Detail I or Detail II. No anchorage is required when "A" is greater than 3'-6".

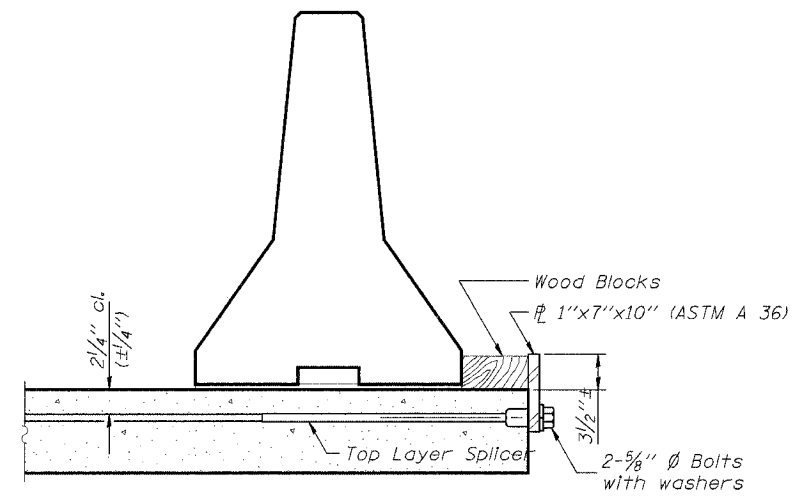
NOTES

Detail I - With Bar Splicer or Couplers:
Connect one (1) 1"x7"x10" steel plate to the top layer of couplers with 2-5/8" Ø bolts screwed to coupler at approximate center of each barrier panel.

Detail II - With Extended Reinforcement Bars:
Connect one (1) 1"x7"x10" steel plate to the concrete slab with 2-5/8" Ø Expansion Anchors or cast in place inserts spaced between the top layer of reinforcement at approximate center of each barrier panel.

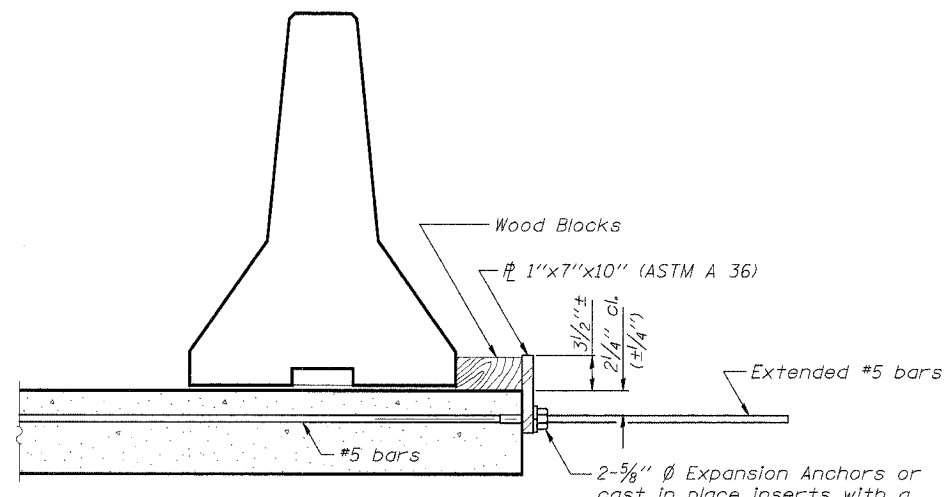
Cost of anchorage is included with Temporary Concrete Barrier.

SECTIONS THRU SLAB



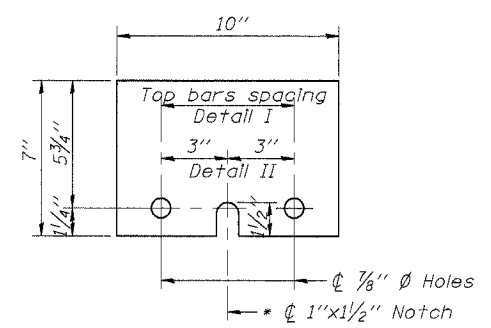
DETAIL I

The 1"x7"x10" Plate shall not be removed until Stage II Construction forms and reinforcement bars are in place.



DETAIL II

The 1"x7"x10" Plate shall not be removed until Stage II Construction forms and all reinforcement bars are in place and the concrete is ready to be placed.



1"x7"x10"
* Required only with Detail II

TEMPORARY CONCRETE BARRIER
FOR STAGE CONSTRUCTION
IL. ROUTE 48 OVER BUCKHART CREEK
F.A.P. ROUTE 714 - SECTION 134B
CHRISTIAN COUNTY
STA. 432+32
S.N. 011-2505

FILE NAME: 134B-STRUCTURE (REV. 1/12/05)

R-27 10-31-02