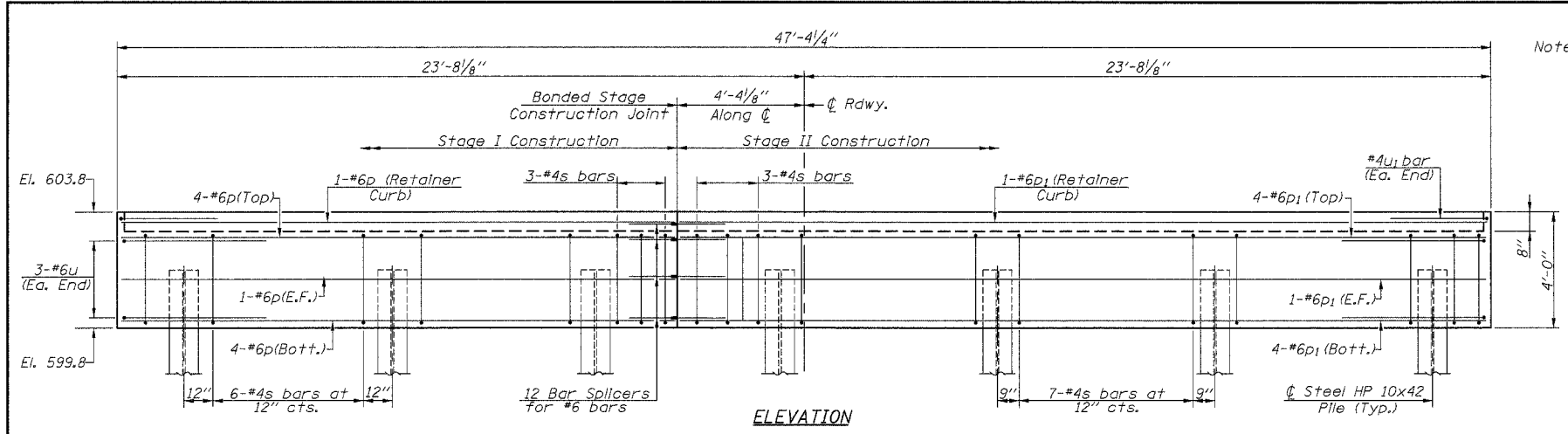


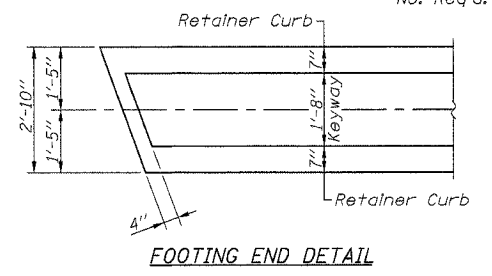
72938

ROUTE NO.	SECTION	COUNTY	TOTAL SHEETS	SHEET NO.
F.A.P. 714	134B	CHRISTIAN	23	17
FED. ROAD DIST. NO.	ILLINOIS	FED. AID PROJECT		

SHEET NO. 4
OF 10 SHEETS

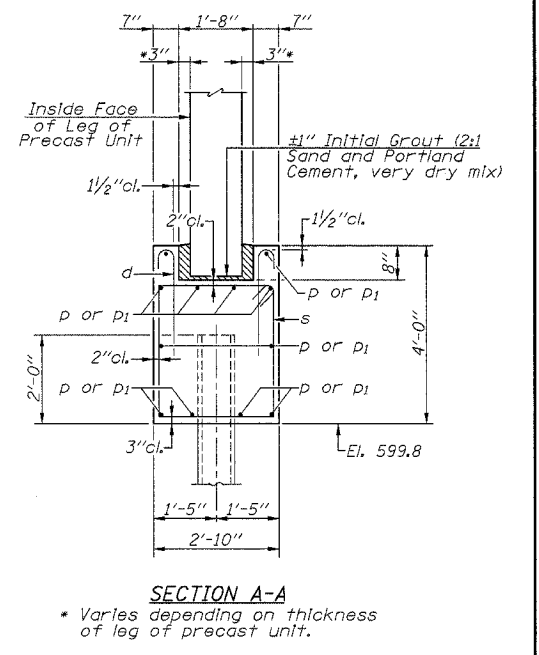
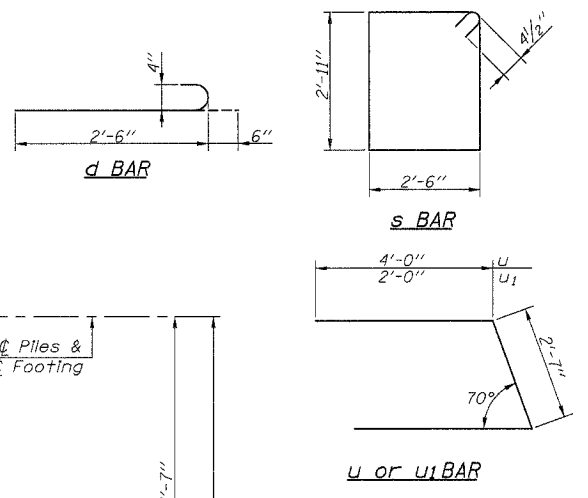
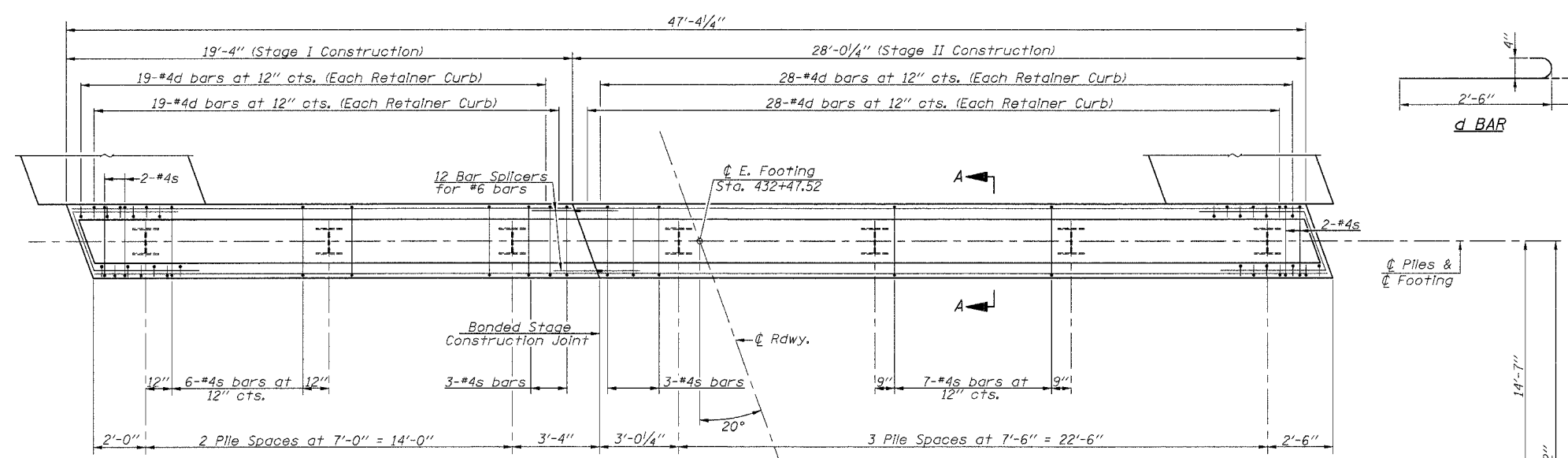


Note: Any structure excavation dewatering shall be included in the cost of "Concrete Structures".



PILE DATA

PILE DATA	EAST FOOTING	WEST FOOTING
Type:	Steel HP 10x42	Steel HP 10x42
Capacity:	55 Tons (Driven to 83 Tons)	55 Tons (Driven to 83 Tons)
Est. Length:	41'	34'
No. Req'd.	6 + 1 Test Pile	6 + 1 Test Pile

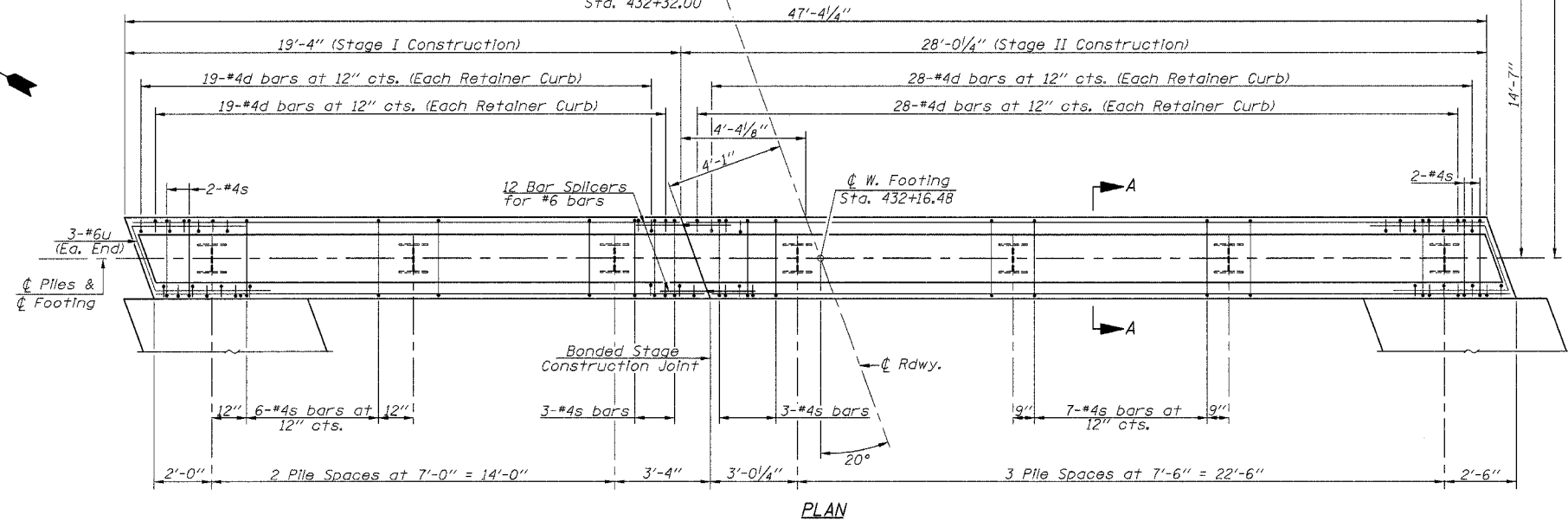


TWO FOOTINGS BILL OF MATERIAL

BAR	NO.	SIZE	LENGTH	SHAPE
d	376	#4	3'-0"	┌┐
p	24	#6	19'-0"	—
p1	24	#6	27'-8"	—
s	86	#4	11'-7"	□
u	12	#6	10'-7"	┌┐
u1	4	#4	6'-7"	┌┐

Concrete Structures	Cu.Yd.	35.9
Reinforcement Bars	Pound	3310
Furnishing Steel Piles HP 10x42	Foot	450
Driving Steel Piles	Foot	450
Test Pile, Steel HP 10x42	Each	2
Structure Excavation	Cu.Yd.	392

* Quantity Includes Excavation for Culvert Footings and Wingwall Footings.



CULVERT FOOTING DETAILS
 I.L. ROUTE 48 OVER BUCKHART CREEK
 F.A.P. ROUTE 714 - SECTION 134B
 CHRISTIAN COUNTY
 STA. 432+32
 S.N. 011-2505

FILE NAME: 134B-STRUCTURE (REV. 2/1/05)