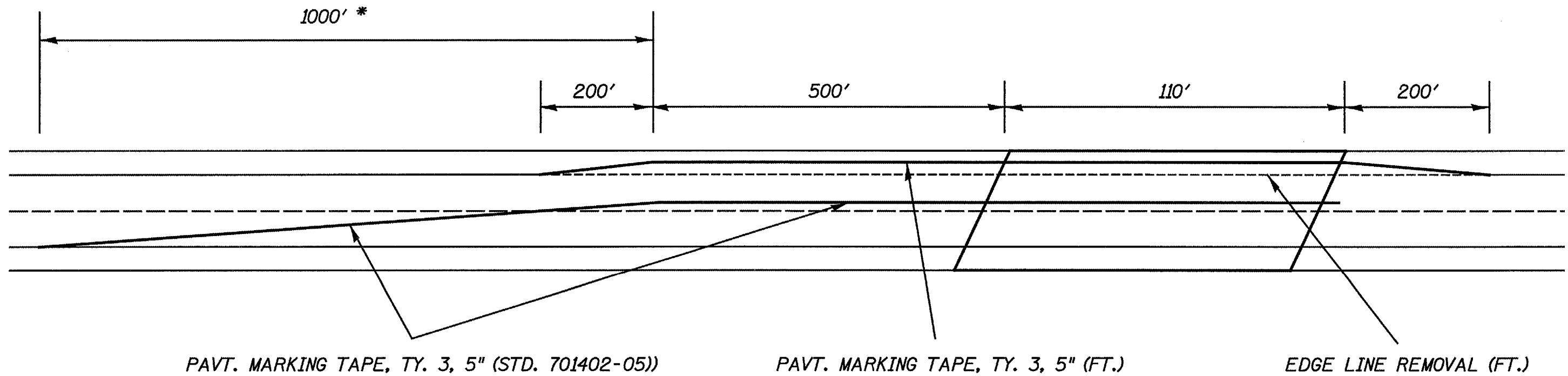


TYPICAL LANE CLOSURE



NOTE:

CENTERLINE AND CENTERLINE TAPER ARE PAID FOR UNDER STD. 701402-05. EDGE LINE REMOVAL IS PAID FOR AS PAVEMENT MARKING REMOVAL. TAPE PLACED TO RELOCATE EDGE LINE IS PAID FOR AS PAVT. MARKING TAPE, TY. 3, 5".

*** NOTE:**

FIRST 1000' OF CENTERLINE SKIP DASH SHALL BE COVERED WITH BLACKOUT TAPE AND UNCOVERED AFTER PROJECT COMPLETION. THIS SHALL BE PAID FOR UNDER STD. 701402-05.

NOT TO SCALE

LANE CLOSURE STRIPING DETAIL
FAI 72 OVER WALNUT CREEK
SECTION (86-10B)I-1
SCOTT COUNTY