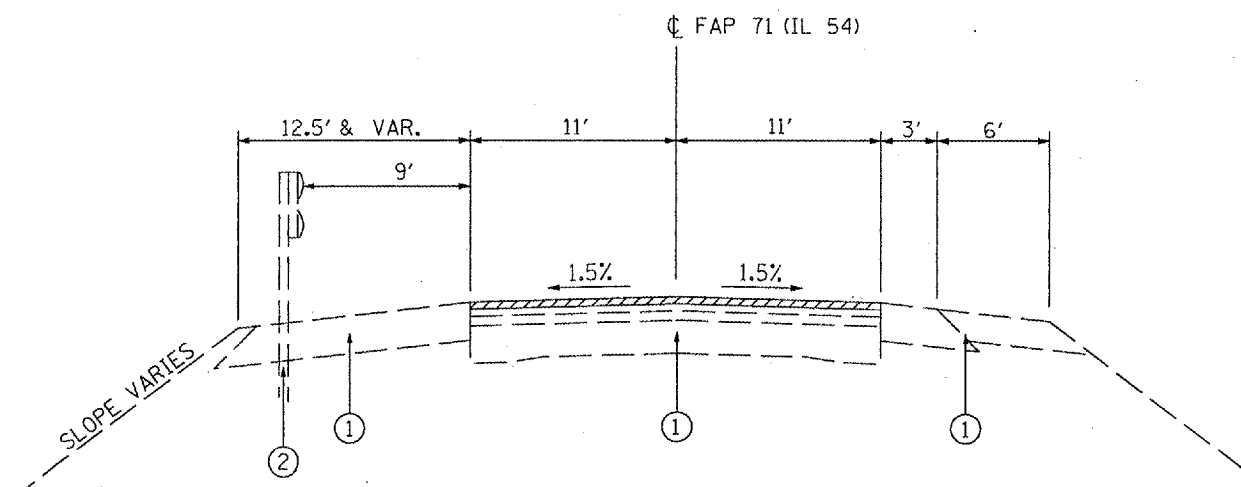


F.A.P. RTE.	SECTION	COUNTY	TOTAL SHEETS	SHEET NO.
71	(3RJ-1)	SANGAMON	10	4
STA.		TO STA.		
FED. ROAD DIST. NO.		ILLINOIS FED. AID PROJECT		

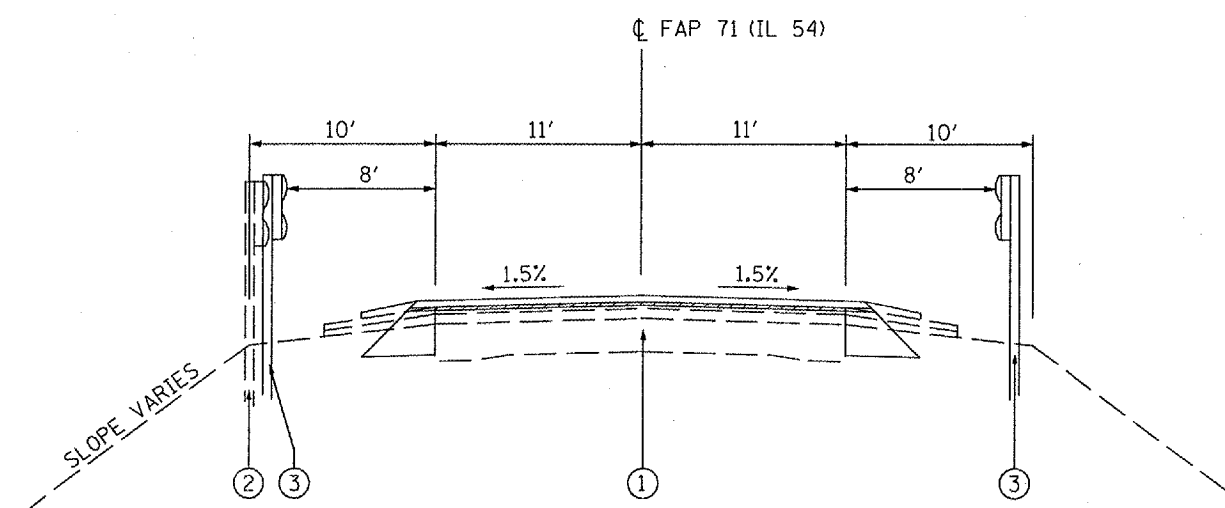
CONTRACT NO. 72966



LT. STA. 173+71.15 TO STA. 179+97.59 RT. STA. 174+03.95 TO STA. 178+06.84
 RT. STA. 178+06.84 TO STA. 179+97.59

BRIDGE OMISSION
 STA. 179+97.59 TO STA. 189+09.27

LT. STA. 189+09.27 TO STA. 190+84.07 LT. STA. 190+84.07 TO STA. 194+54.48
 RT. STA. 189+09.27 TO STA. 190+33.22 RT. STA. 190+33.22 TO STA. 194+54.48



STA. 103+05.94 TO STA. 120+76.74
 STA. 132+82.60 TO STA. 166+98.70
 STA. 194+54.48 TO STA. 217+62.38
 STA. 227+45.79 TO STA. 265+05.65
 EQUATION STA. 265+05.65 BK. TO STA. 40+88.70 AHD.
 STA. 40+88.70 TO STA. 55+00

- 1. EXISTING PAVEMENT/SHOULDERS
- 2. EXISTING GUARDRAIL
- 3. PROPOSED GUARDRAIL

REVISIONS	
NAME	DATE
GUARDRAIL/TMJ	02-07-05

ILLINOIS DEPARTMENT OF TRANSPORTATION
 F.A.P. RTE. 71 (IL 54)
 TYPICAL SECTIONS
 FAP 71 (IL 54)
 SECTION (3RJ-1)
 SANGAMON COUNTY
 DRAWN BY TMJ
 CHECKED BY MEB
 DATE 02-07-05

c:\projects\ed52901\C9651705\C9651705typicals.dgn
 2/7/2005
 *REF01