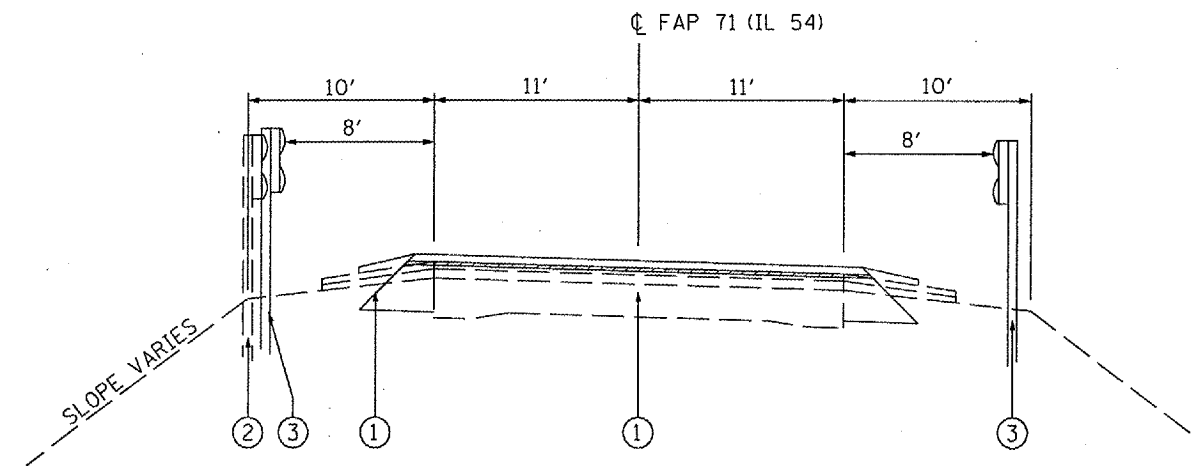


F.A.P. RTE.	SECTION	COUNTY	TOTAL SHEETS	SHEET NO.
71	(3R)J-1	SANGAMON	10	5
STA.		TO STA.		
FED. ROAD DIST. NO.		ILLINOIS FED. AID PROJECT		

CONTRACT NO. 72966



STA. 117+68.70 TO STA. 118+28.70
 EQUATION STA. 118+28.70 BK. = STA. 98+15.41 AHD.
 STA. 98+15.41 TO STA. 103+05.94
 STA. 120+76.74 TO STA. 132+82.60
 STA. 166+98.70 TO STA. 173+71.15 LT./STA. 174+03.95 RT.
 STA. 217+62.38 TO STA. 227+45.79

1. EXISTING PAVEMENT/SHOULDERS
2. EXISTING GUARDRAIL
3. PROPOSED GUARDRAIL

REVISIONS	
NAME	DATE
GUARDRAIL/TMJ	02-07-05

ILLINOIS DEPARTMENT OF TRANSPORTATION
 F.A.P. RTE. 71 (IL 54)
 TYPICAL SECTIONS
 FAP 71 (IL 54)
 SECTION (3R)J-1
 SANGAMON COUNTY
 DRAWN BY TMJ
 CHECKED BY MEB
 DATE 02-07-05

c:\projects\ed52901\c9651705\c9651705\typical.dgn
 2/7/2005
 *REF01