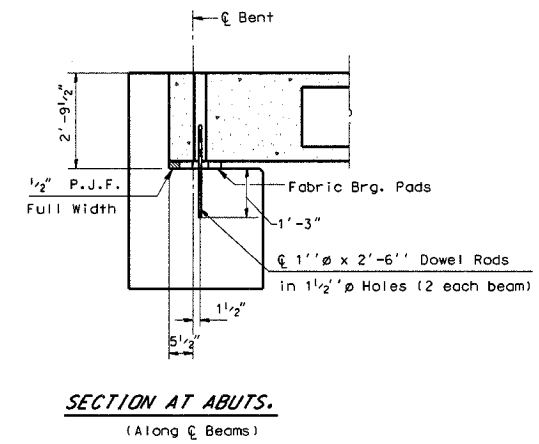
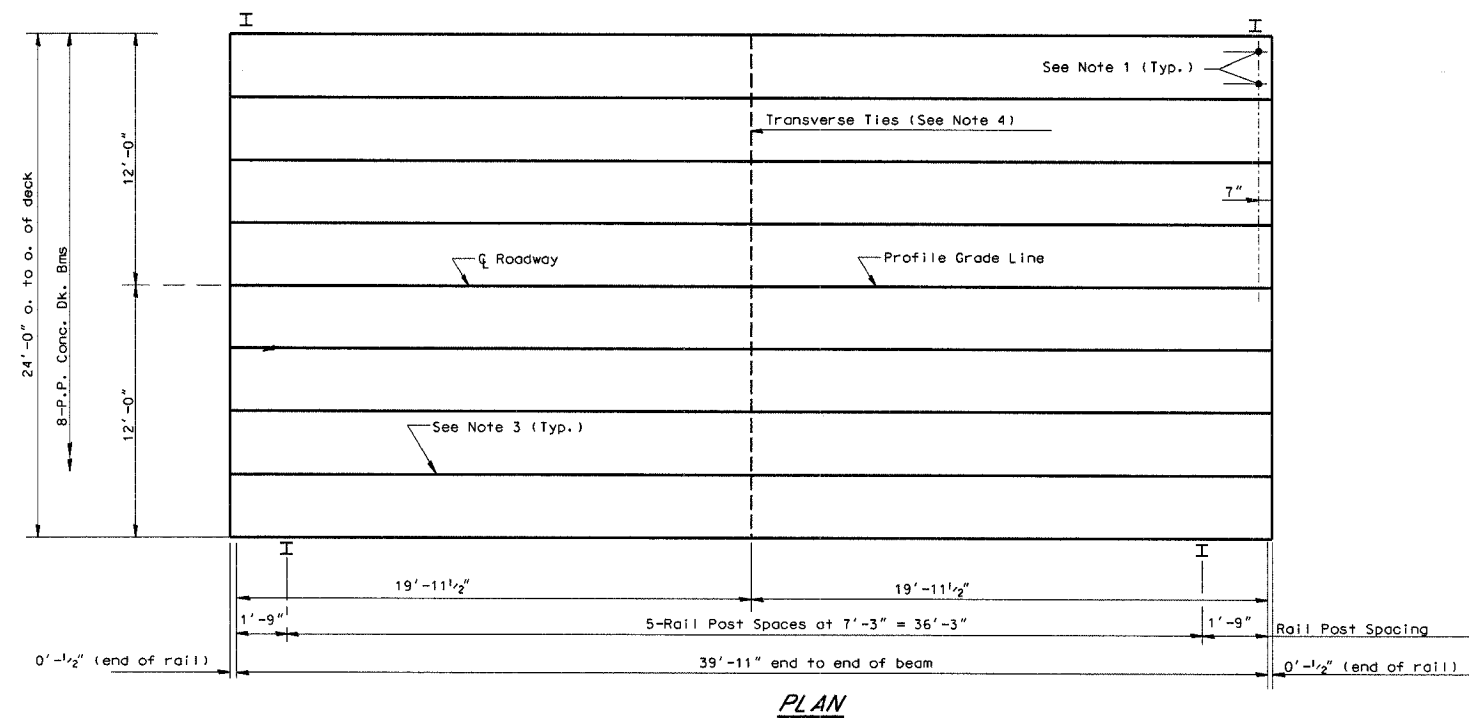
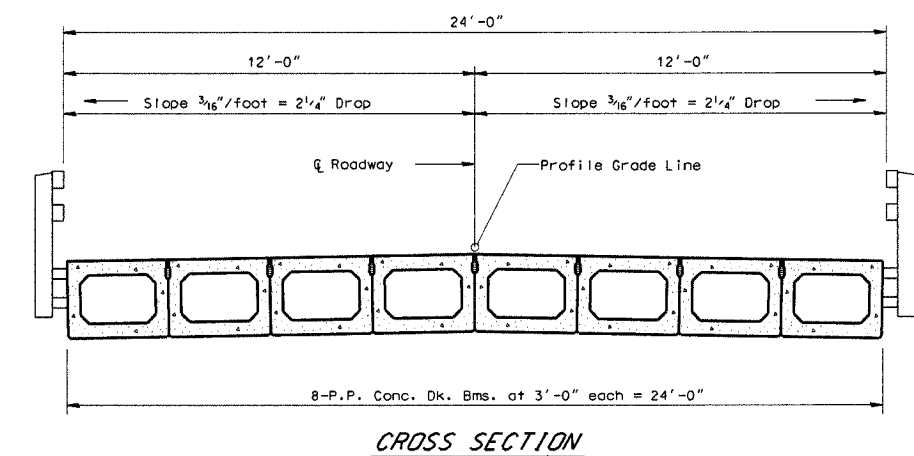
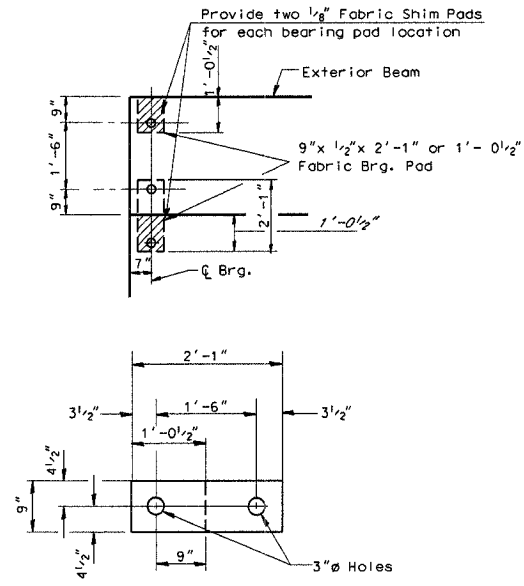
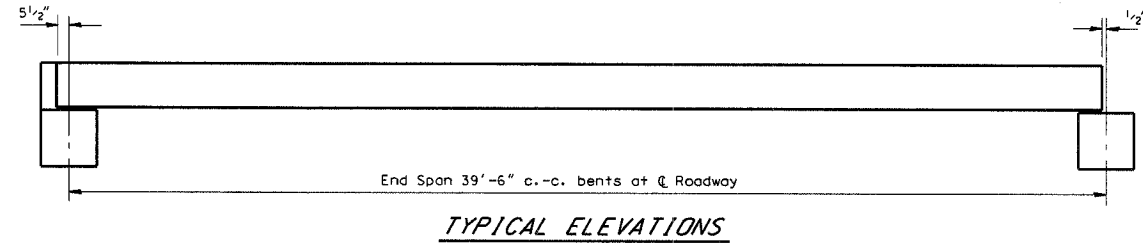


| FAS RTE | SECTION | COUNTY | TOTAL SHEETS | SHEET NO. |
|---------------|----------------------------------|---------|---------------|-----------|
| TR 384 | 04-01119-00-BR 04-04126-00-BR | HENRY | 13 | 6 |
| F.W.W.A. REG. | ILLINOIS | PROJECT | BR-OS-073(49) | |



QUANTITIES FOR ONE SPAN

| | |
|----------------------------|-------------|
| P.P. Conc. Dk. Bm. 33" Dp. | 958 Sq. Ft. |
| Steel Railing | 80 Ft. |

- NOTES**
- After beams have been erected, holes shall be drilled into substructure and anchor dowels placed. Dowel holes shall be filled with non-shrink grout to top of beam and allowed to cure min. 24 hrs. prior to grouting the shear keys.
 - Nominal 1" joint at Q Pier shall be filled with non-shrink grout.
 - Longitudinal keys shall be grouted.
 - The 1" ϕ rods in the transverse tie assembly shall be tightened to a snug fit and the threads set. Pockets that receive transverse tie bar outside shall be filled with grout after transverse tie assembly is in place.

| P.P.C. DECK BEAM SUPERSTRUCTURE | | | |
|---------------------------------|----------|----------|---------|
| 24' RDWY. | 33' BMS. | 40' SPAN | 0° SKEW |