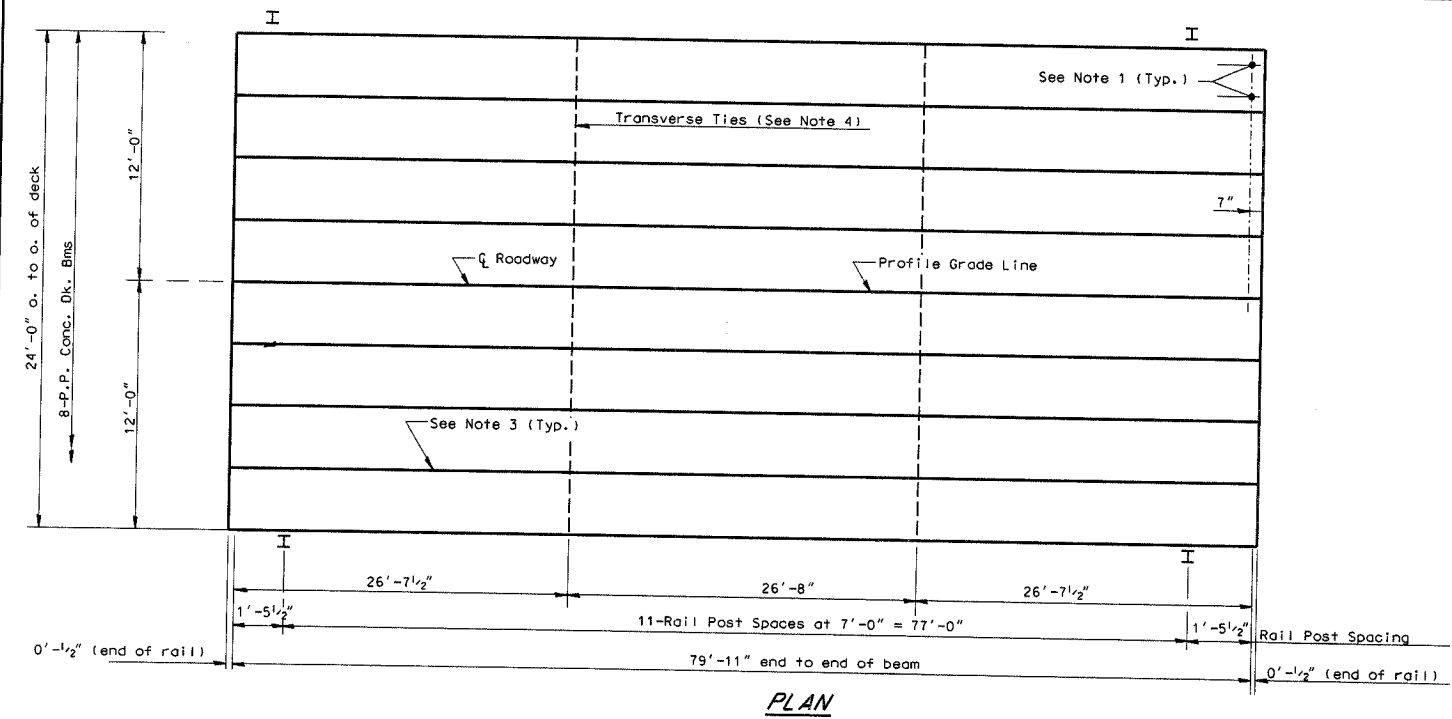
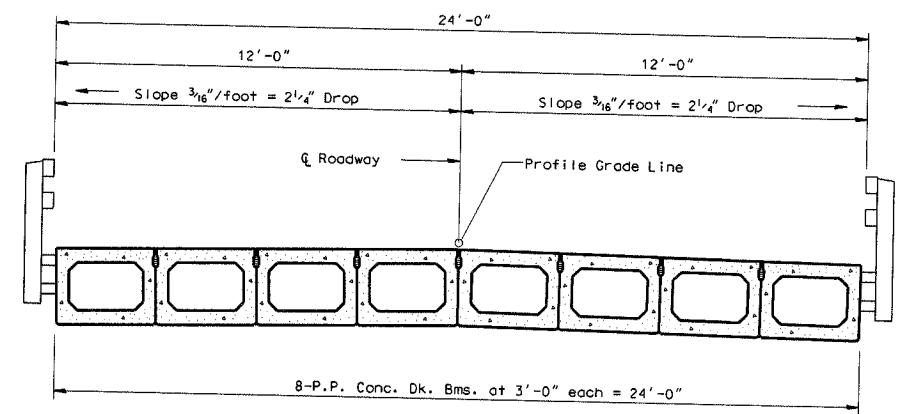
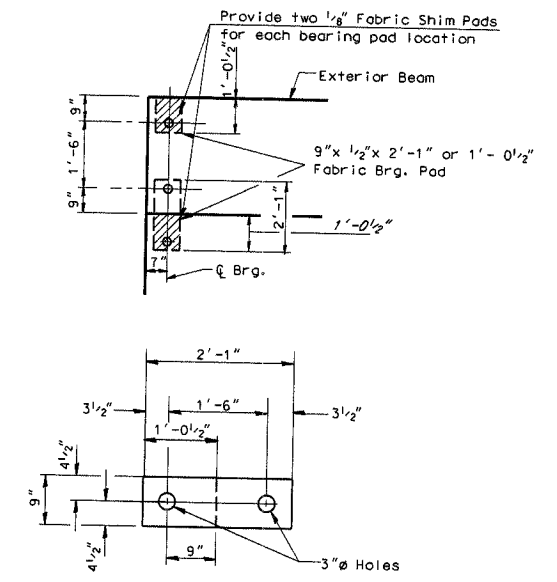
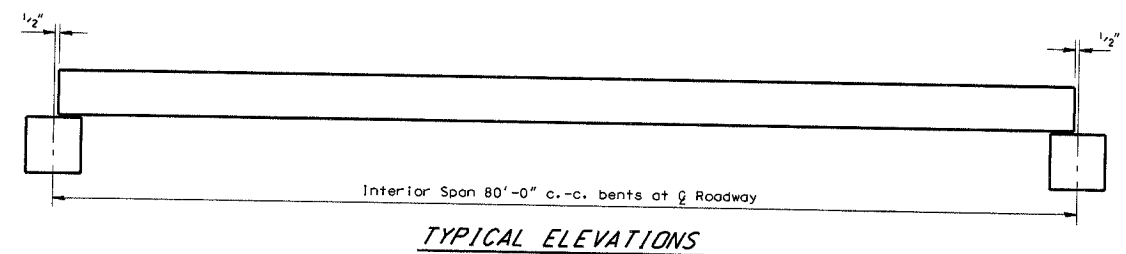
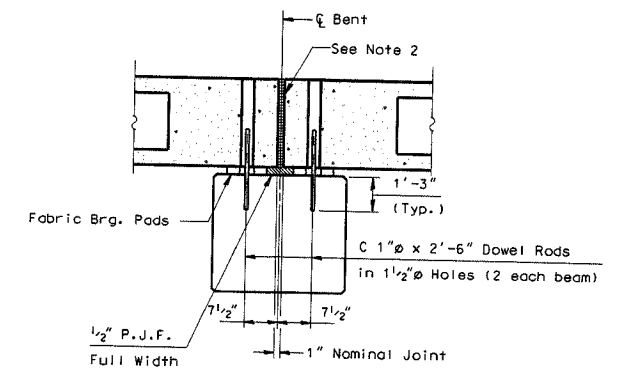


FAS RTE	SECTION	COUNTY	TOTAL SHEETS	SHEET NO.
TR 384	04-01119-00-BR 04-04126-00-BR	HENRY	13	7
F.H.W.A. REG.	ILLINOIS PROJECT	BR-OS-073(49)		



NOTES

1. After beams have been erected, holes shall be drilled into substructure and anchor dowels placed. Dowel holes shall be filled with non-shrink grout to top of beam and allowed to cure min. 24 hrs. prior to grouting the shear keys.
2. Nominal 1" joint at \bar{Q} Pier shall be filled with non-shrink grout.
3. Longitudinal keys shall be grouted.
4. The 1" $\bar{\phi}$ rods in the transverse tie assembly shall be tightened to a snug fit and the threads set. Pockets that receive transverse tie bar outside shall be filled with grout after transverse tie assembly is in place.



QUANTITIES FOR ONE SPAN

P.P. Conc. Dk. Bm. 33" Op.	1918 Sq. Ft.
Steel Railing	160 Ft.

P.P.C. DECK BEAM SUPERSTRUCTURE			
24' RDWY.	33' BMS.	80' SPAN	0° SKEW