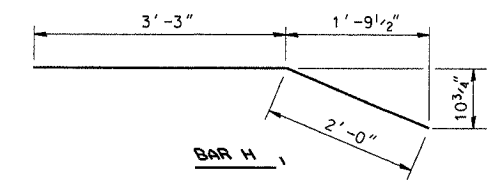
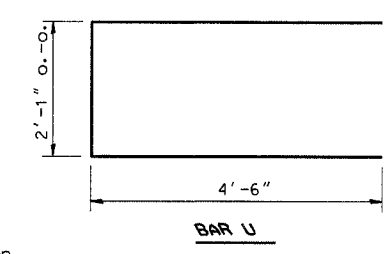
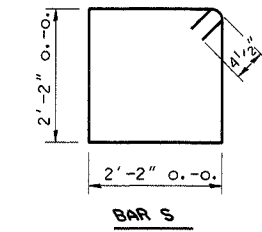
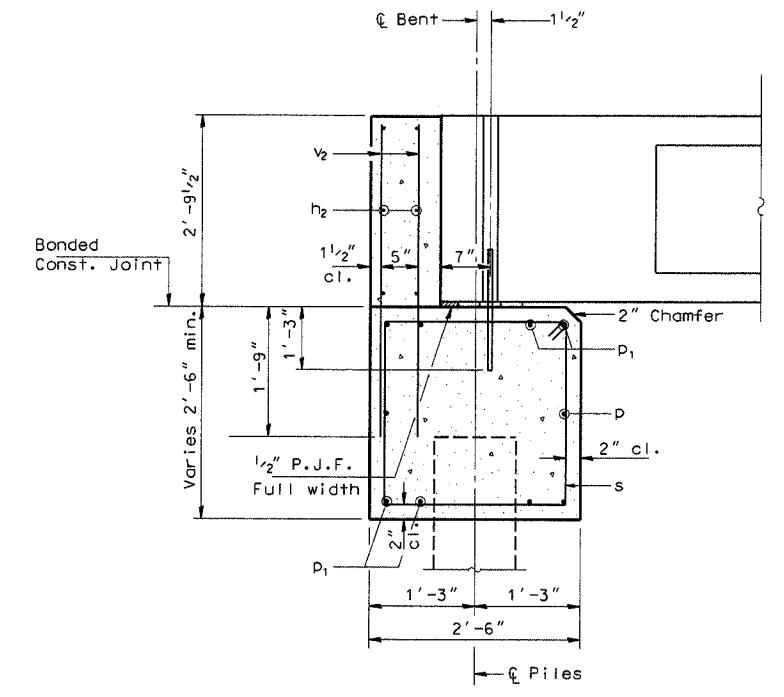
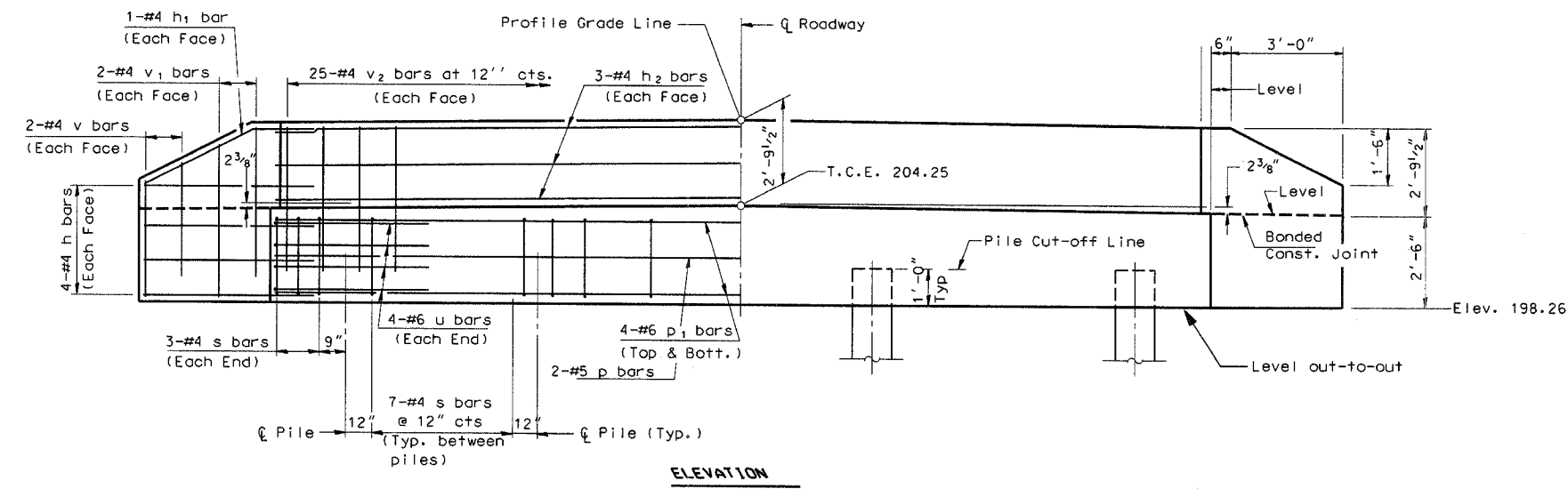
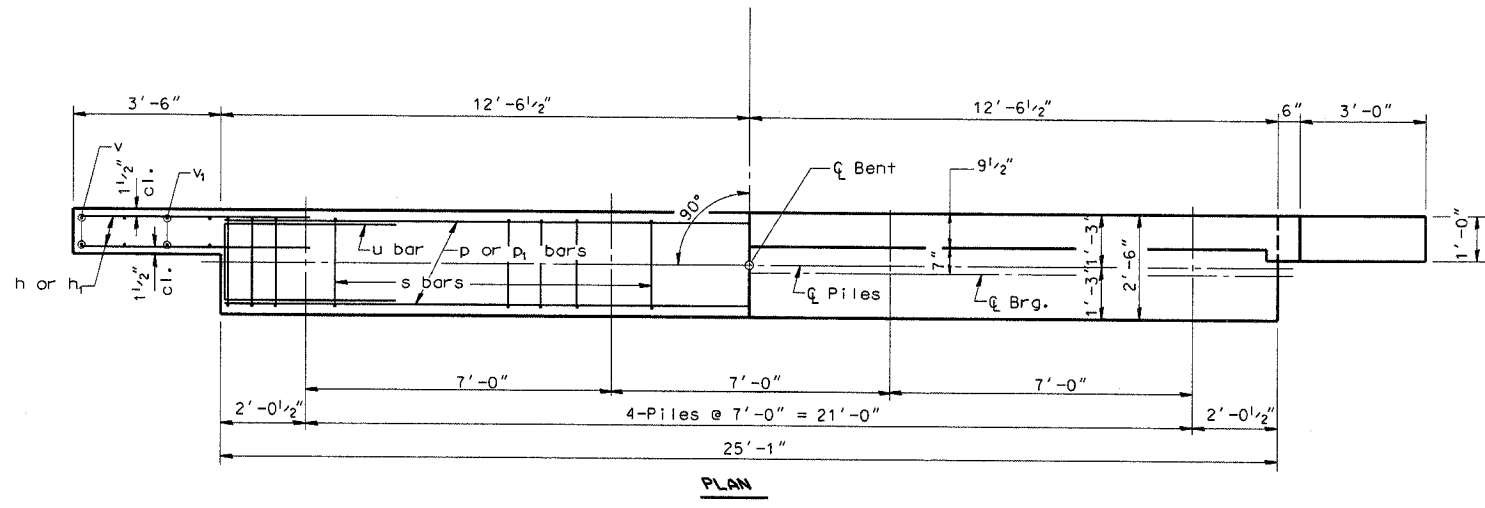


FAS RTE	SECTION	COUNTY	TOTAL SHEETS	SHEET NO.
TR 384	04-01119-00-BR 04-04126-00-BR	HENRY	13	9
F.H.W.A. REG.	ILLINOIS	PROJECT	BR-OS-073(49)	



BILL OF MATERIAL FOR ONE ABUTMENT

Bar	No.	Size	Length	Shape
h	16	#4	5'-0"	—
h1	4	#4	5'-3"	—
h2	6	#4	24'-9"	—
p	2	#5	24'-9"	—
p1	8	#6	24'-9"	—
s	27	#4	9'-5"	□
u	8	#6	11'-1"	□
v	8	#4	3'-2"	—
v1	8	#4	4'-2"	—
v2	50	#4	4'-3"	—
Concrete Structures			Cu. Yd.	9.4
Reinforcement Bars			Pound	1000
Structure Excavation			Cu. Yd.	14.4

NOTES

- The Backwall and the portion of the Wingwalls above the bonded construction joint shall be cast against the in-place beam.
- Reinforcement bars shall conform to A.A.S.H.T.O. M-31, M-42 or M-53, Grade 60.

MAXIMUM PILE LOADS

SPAN	TONS
40'	34
50'	38
60'	43

DESIGN STRESSES

f'c = 3,500 psi
fy = 60,000 psi

P.P.C. DECK BEAMS PILE BENT ABUTMENT		
24' RDWY	33" BMS	0° SKEW