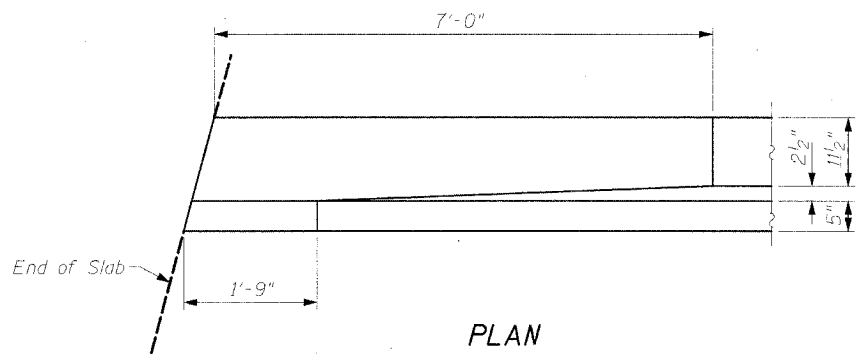
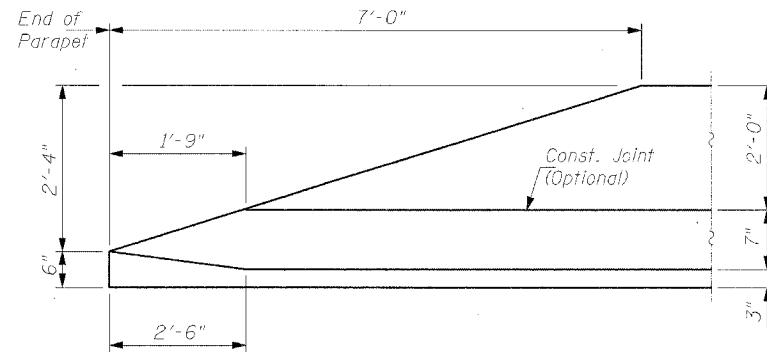


**INSIDE ELEVATION OF PARAPET**

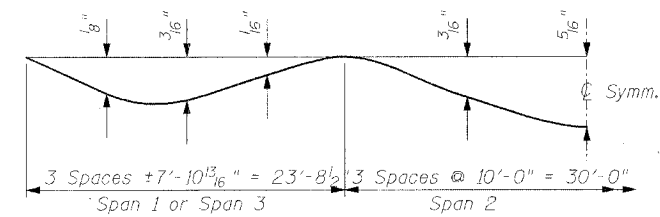


**PLAN**



**ELEVATION**

**END OF PARAPET DETAIL**



**DEAD LOAD DEFLECTION DIAGRAM**  
(Includes weight of concrete only.)

**SUPERSTRUCTURE BILL OF MATERIAL**

Bar	No.	Size	Length	Shape
d(E)	332	#5	24'-0"	—
b(E)	68	#9	27'-10"	—
b1(E)	58	#9	22'-4"	—
b2(E)	34	#9	34'-6"	—
b3(E)	29	#9	21'-0"	—
b4(E)	88	#5	14'-6"	—
b5(E)	88	#9	30'-4"	—
b6(E)	76	#9	13'-9"	—
d(E)	158	#4	2'-8"	—
d1(E)	172	#5	4'-5"	—
e(E)	48	#4	11'-11"	—
e1(E)	24	#4	14'-8"	—
s(E)	158	#4	5'-11"	—
x(E)	90	#5	5'-3"	—
x1(E)	90	#5	6'-11"	—
Reinforcement Bars, Epoxy Coated			Pound	42,630
Concrete Superstructure			Cu. Yds.	191.6

Reinforcement bars designated (E) shall be epoxy coated.  
Bars indicated thus 3x2-#9 etc. indicates 3 lines of bars with 2 lengths per line.

See Sheet 1 of 11 for locations of floor drains.

**SUPERSTRUCTURE DETAILS**

FELL AVENUE over SUGAR CREEK  
FAU ROUTE 6401 SECTION 02-00325-00-BR  
BLOOMINGTON, ILLINOIS McLEAN COUNTY  
STATION 12+47.00  
STRUCTURE NO. 057-6338

© Copyright Hanson Professional Services Inc. 2005

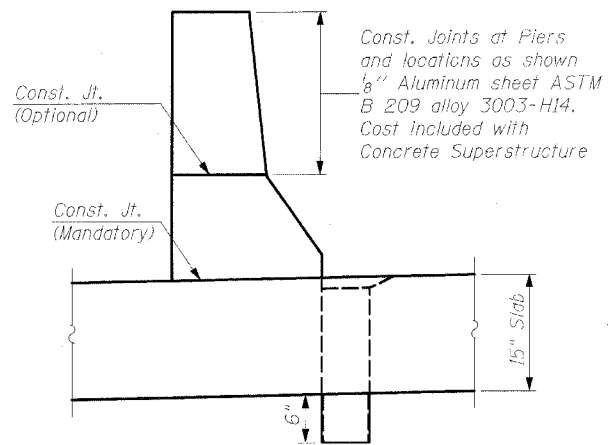


JOB NO.

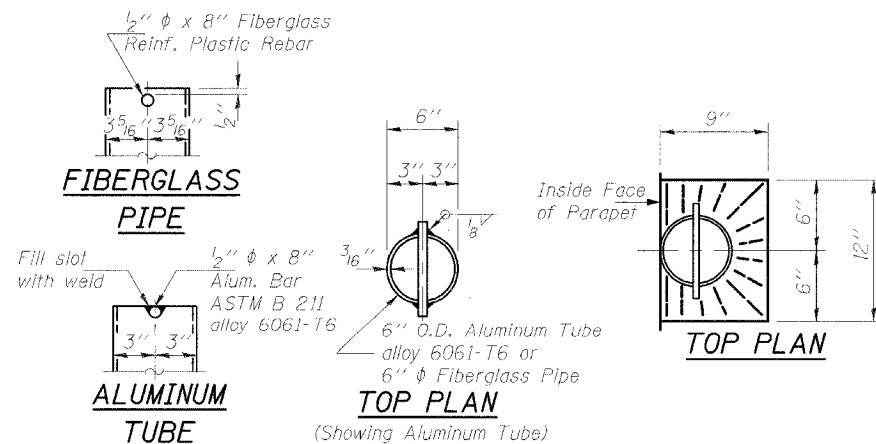
0352019

DATE

01/21/05



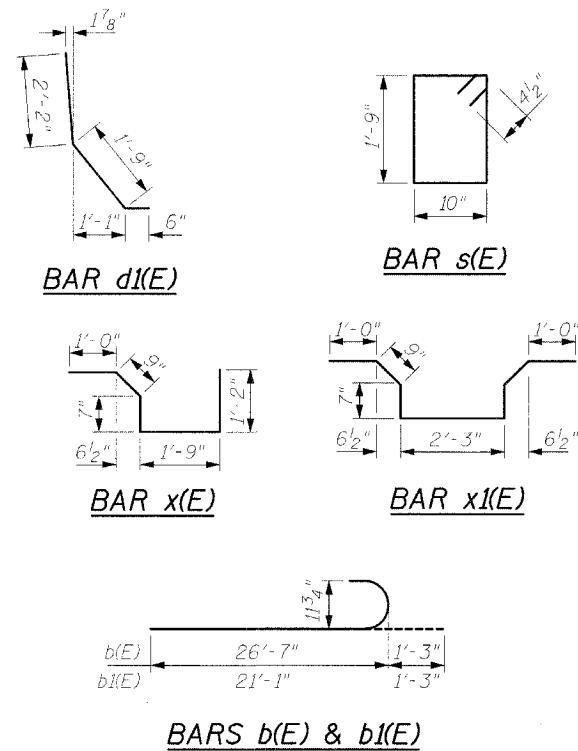
**PARAPET JOINT DETAILS**



**FLOOR DRAIN DETAILS**

Notes:

The exterior surfaces of the floor drains shall be coated or pigmented by the manufacturer with a color that matches the concrete.  
Fiberglass pipe shall conform to ASTM D 2996, with short-time rupture strength hoop tensile stress of 30,000 p.s.i. minimum.



**BARS b(E) & b1(E)**