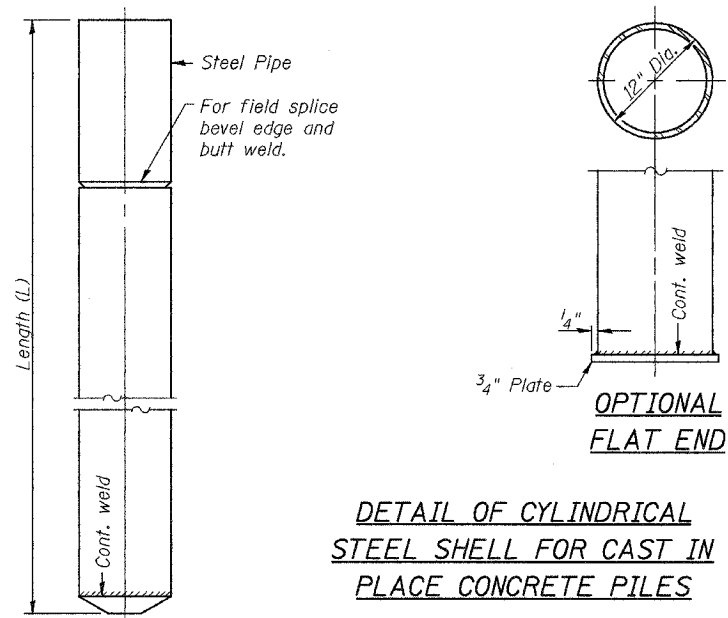


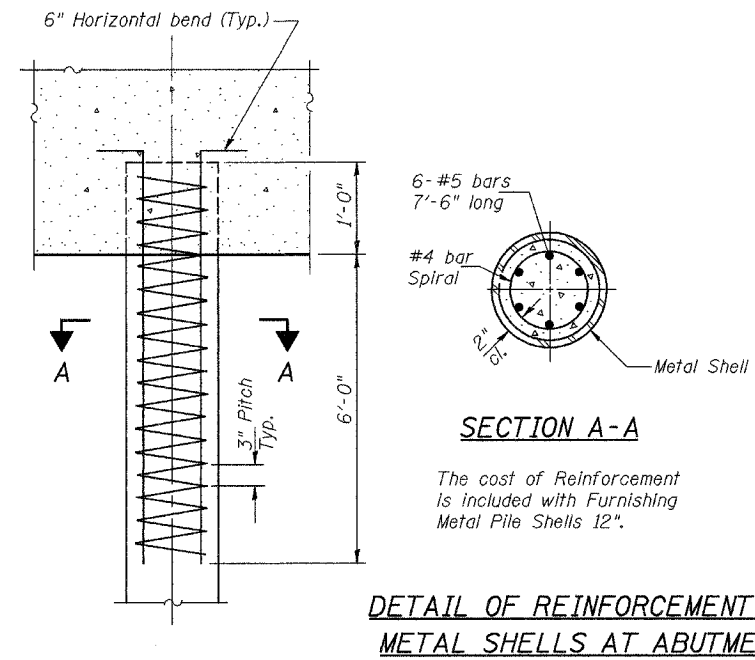
ROUTE NO.	SECTION	COUNTY	SHEET NO.	SHEET NO.
FAS 292 (CH 49)	*	GRUNDY	17	14
FED. ROAD DIST. NO. 7	ILLINOIS	PROJECT	BRS-292(101)	
*03-00127-00-BR		CONTRACT #87282		

SHEET NO. 8  
8 SHEETS

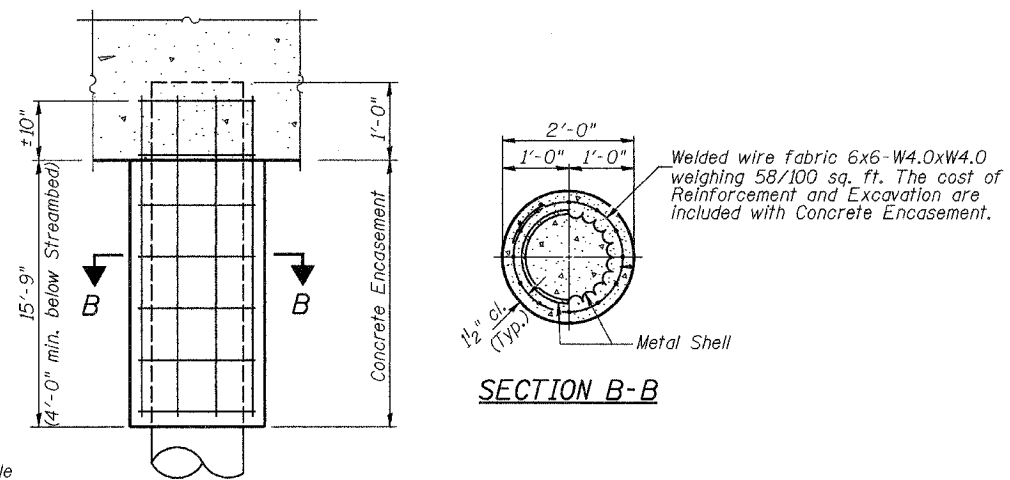
Notes: Driving and bearing ends of pipe shall be cut square. The thickness of the shell shall be 0.250 inches with a tolerance of 5%. The shell shall be according to Article 1006.05(a) of the Standard Specifications.



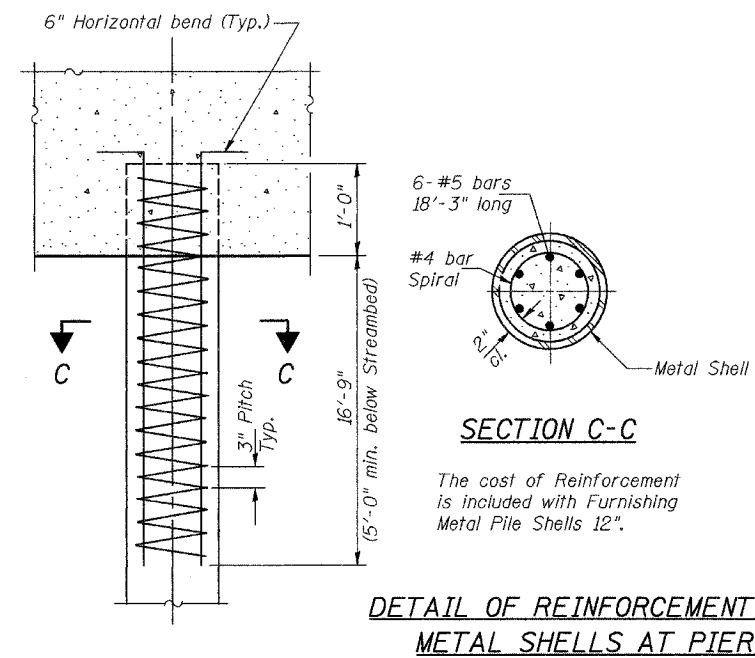
**DETAIL OF CYLINDRICAL STEEL SHELL FOR CAST IN PLACE CONCRETE PILES**



**DETAIL OF REINFORCEMENT FOR METAL SHELLS AT ABUTMENTS**



**DETAIL OF METAL SHELL PILE ENCASEMENT AT PIERS**



**DETAIL OF REINFORCEMENT FOR METAL SHELLS AT PIERS**

If a portion of the pile encasement is under water, Concrete Encasement shall be tremied under water into forms as necessary.

**PILE DETAILS**  
**F.A.S. 292 (C.H. 49) OVER GOOSEBERRY CREEK**  
**SECTION 03-00127-00-BR**  
**GRUNDY COUNTY**  
**STATION 20+00.00**