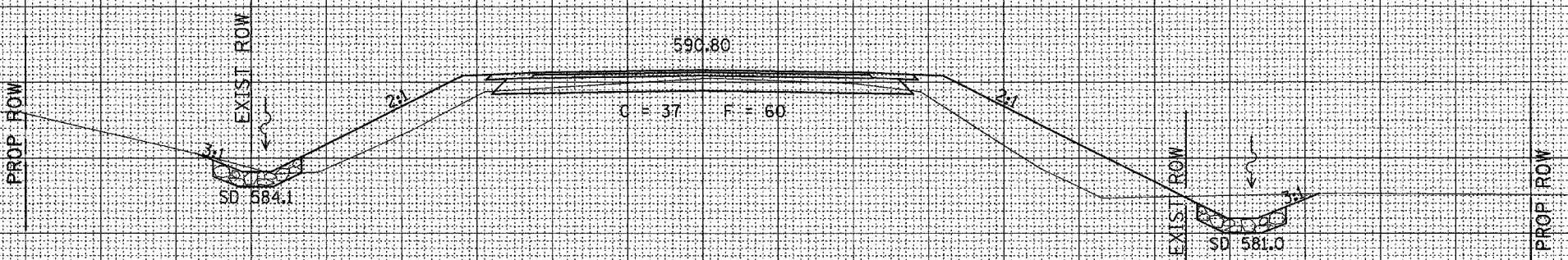


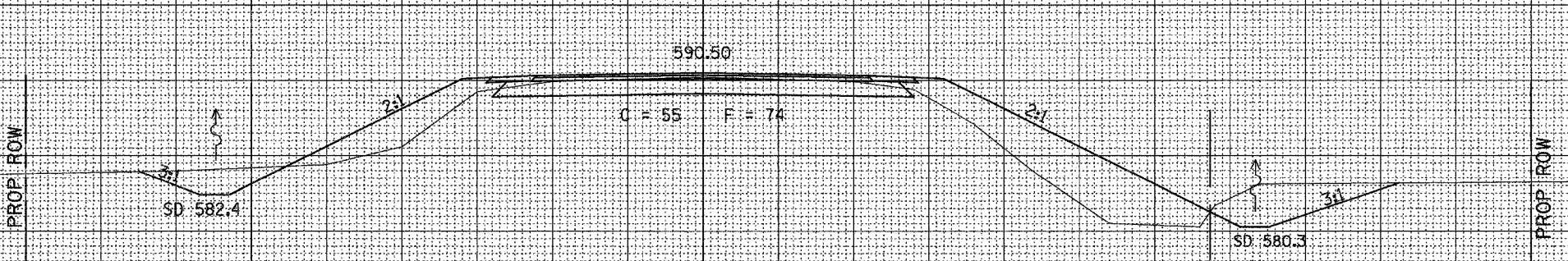
RTE.	SECTION	COUNTY	TOTAL SHEETS	SHEET NO.
•	03-00127-00-BR	GRUNDY	17	16
STA. 19+00.00 TO STA. 20+50.00				
FED. ROAD DIST. NO. 7 ILLINOIS			PROJECT BRS-292(101)	
K FAS: 292 (CR: 49)			CONTRACT 181262	



SD DT LT BEGINS
 STA 20+35
 GRADE +4.00%
 ELEV. 583.50

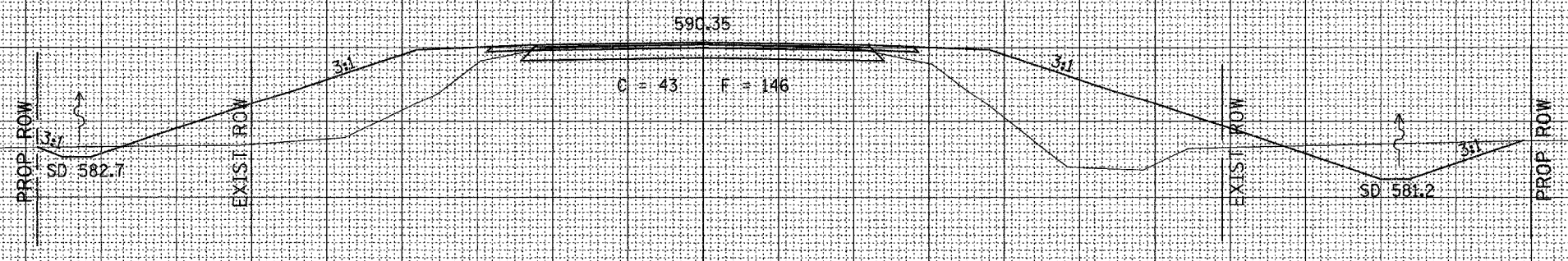
SD DT RT BEGINS
 STA 20+35
 GRADE +3.00%
 ELEV. 580.55

STA 20+49.00
 C = 37 F = 60 AH
 C = 0 F = 0 BK
 BRIDGE OMISSION
 STA 19+51.00
 C = 0 F = 0 AH
 C = 55 F = 74 BK



SD DT RT ENDS
 STA 19+70
 GRADE -0.50%
 ELEV. 582.30

SD DT RT ENDS
 STA 19+70
 GRADE -1.75%
 ELEV. 580.00



SD DT RT ENDS
 STA 19+50
 GRADE -1.75%
 ELEV. 580.00

SD DT RT ENDS
 STA 19+50
 GRADE -1.75%
 ELEV. 580.00

SURVEYED
 PLOTTED
 NOTE BOOK
 NO.

SURVEYED
 PLOTTED
 NOTE BOOK
 NO.

20
+
50

19
+
50

19
+
00