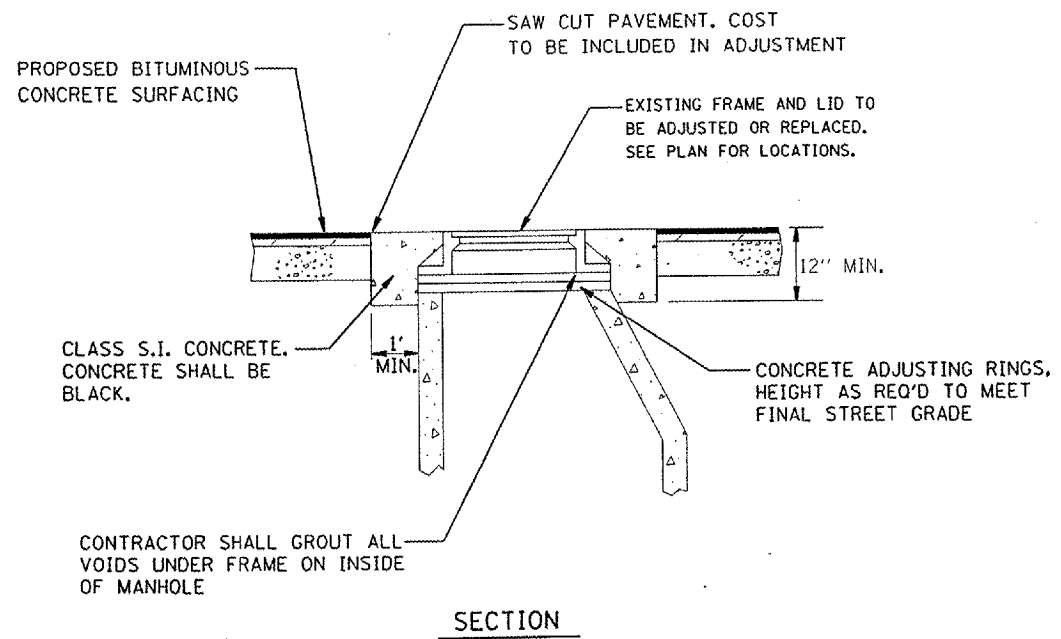
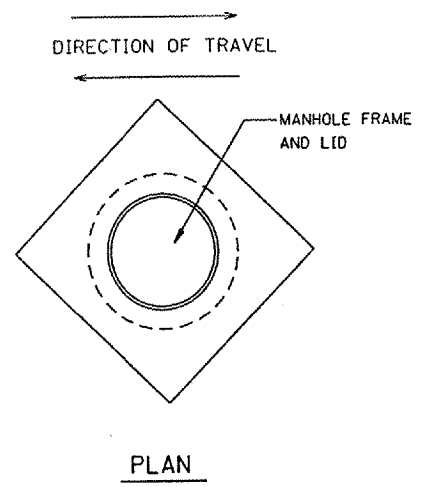


DETAIL OF STORM SEWER PIPE CONNECTION - STA. 33+10.00, RT.  
 N.T.S.

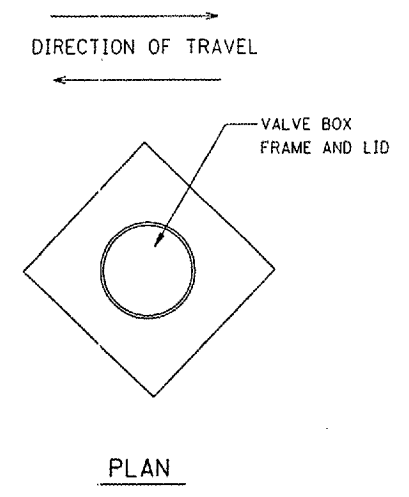


SECTION

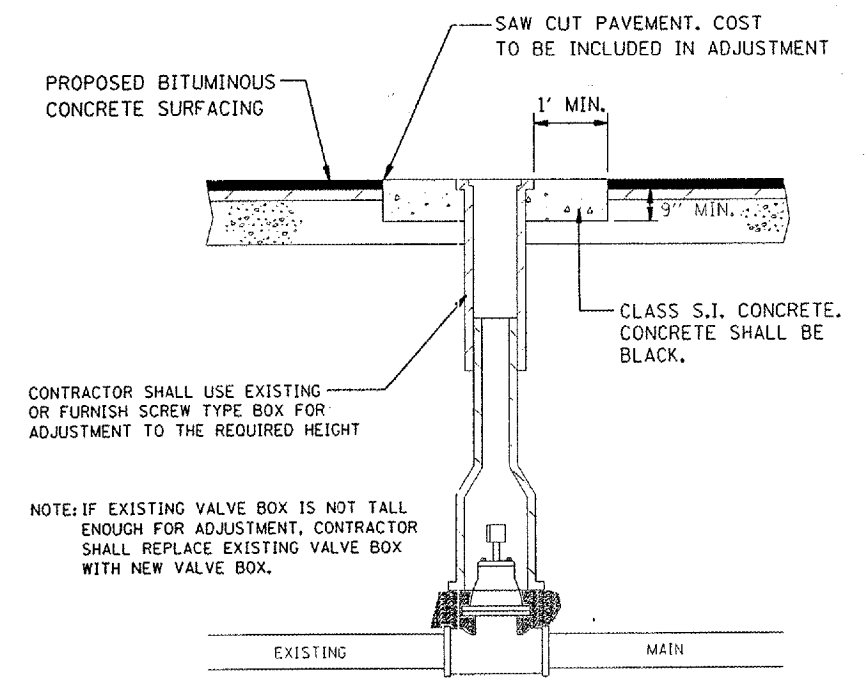
DETAIL OF FRAME AND LID TO BE ADJUSTED  
 N.T.S.



PLAN



PLAN



SECTION

DETAIL OF VALVE BOX TO BE ADJUSTED  
 N.T.S.

DRAWN BY HLG.M.  
 CHECKED BY C.B.H.  
 APPROVED BY V.L.S.  
 DATE JANUARY, 2005

**CONSTRUCTION DETAILS**

REVISIONS	
DATE	BY

MACOMB, ILLINOIS

**BA**  
 BENTON & ASSOCIATES INC.  
 Consulting Engineers / Land Surveyors  
 1970 West Lafayette Avenue  
 Jacksonville, Illinois 62650  
 Phone : 217-245-4146  
 Fax : 217-245-4149  
 IL Design Firm Registration No. 184-000852