

NOTES:

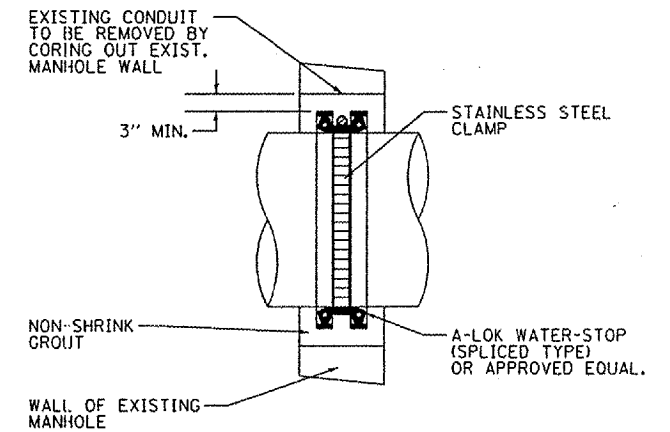
FRAME & LID TO BE NEENAH CATALOG NUMBER R-1772-C WITH SELF-SEALING LID & THE WORD "SANITARY" CAST IN THE LID OR APPROVED EQUAL.

FINAL ADJUSTMENT OF FRAME TO GRADE SHALL BE MADE WITH CONCRETE DOUGHNUT. FINAL ADJUSTMENT SHALL NOT EXCEED 12".

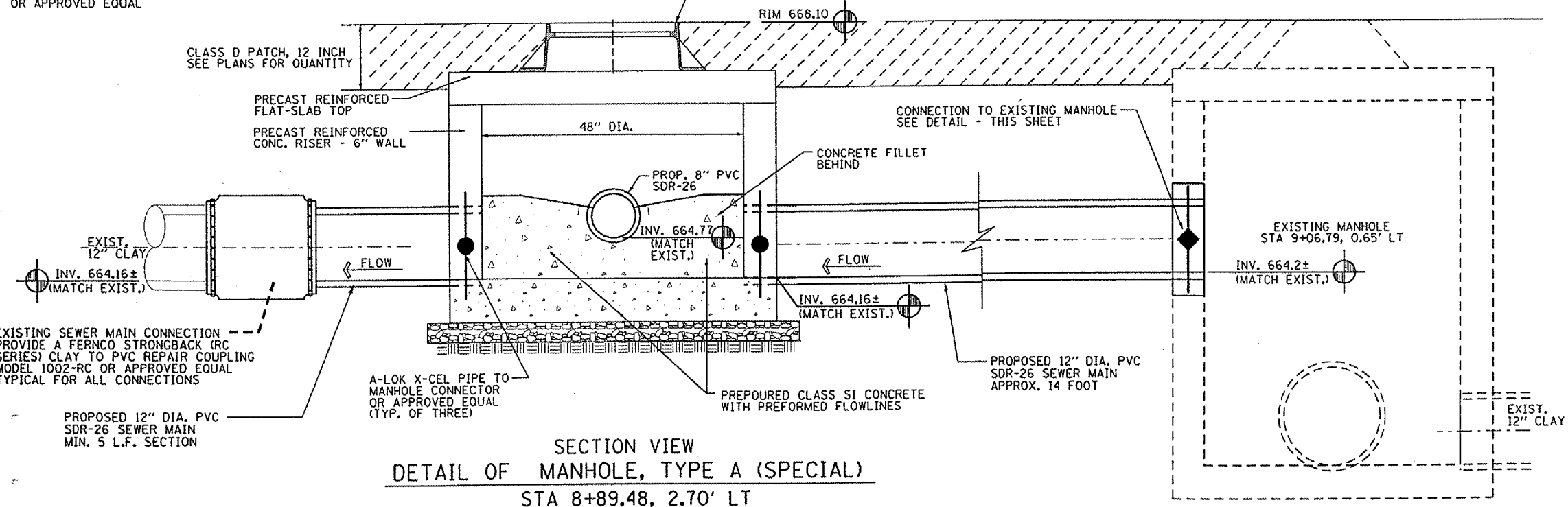
ALL MANHOLE JOINTS, ADJUSTMENT COURSE(S) & UNDER MANHOLE FRAME SHALL BE SEALED WITH BITUMINOUS MASTIC.

ALL OPENINGS IN PROPOSED MANHOLE WALLS TO RECEIVE PIPE WILL BE SEALED WITH A-LOK EXCEL GASKET OR APPROVED EQUAL.

ALL OPENINGS TO BE CONSTRUCTED INTO EXISTING MANHOLE WALLS TO RECEIVE PIPE WILL BE SEALED WITH A-LOK WATERSTOP GASKET (SPliced TYPE) OR APPROVED EQUAL



CONNECTION TO EXISTING MANHOLE
 SECTION VIEW



EXISTING SEWER MAIN CONNECTION
 PROVIDE A FERRO STRONGBACK (RC
 SERIES) CLAY TO PVC REPAIR COUPLING
 MODEL 1002-RC OR APPROVED EQUAL
 TYPICAL FOR ALL CONNECTIONS

PROPOSED 12" DIA. PVC
 SDR-26 SEWER MAIN
 MIN. 5 L.F. SECTION

DRAWN BY D.B.H.
 CHECKED BY M.G.M.
 APPROVED BY W.J.S.
 DATE JANUARY, 2005

REVISIONS	
DATE	BY

WATER & SANITARY SEWER DETAILS

MACOMB, ILLINOIS.



Consulting Engineers / Land Surveyors
 1970 West Lafayette Avenue
 Jacksonville, Illinois 62650
 Phone : 217-245-4148
 Fax : 217-245-4149
 IL Design Firm Registration No. 184-000852