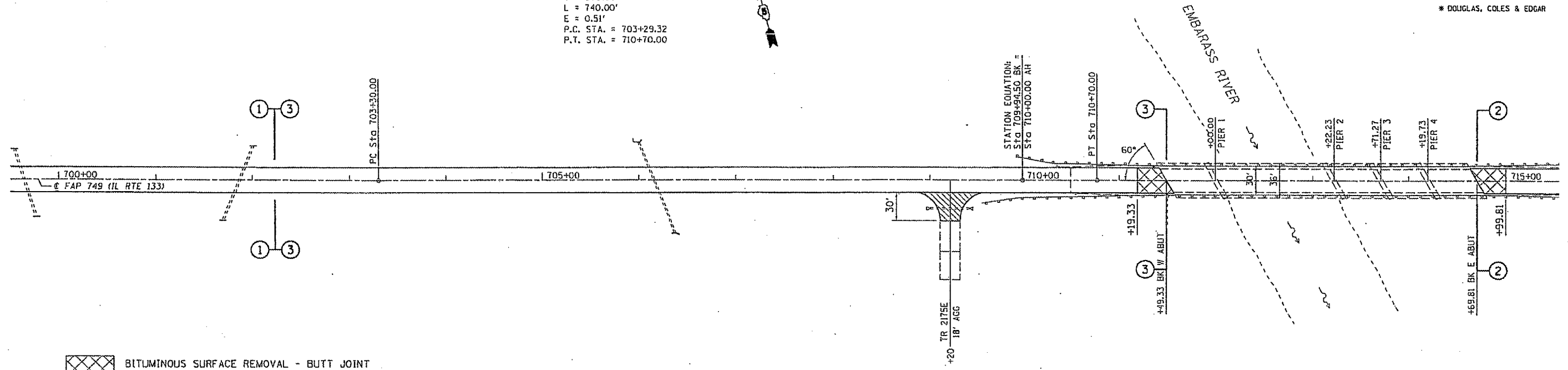


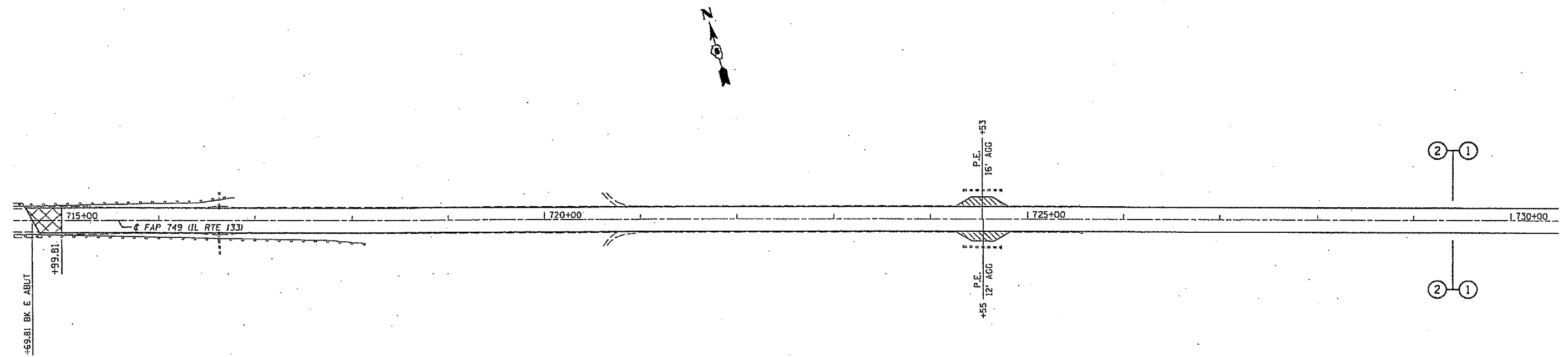
EXIST. CURVE DATA  
 PI STA. = 707+00.00  
 $\Delta = 0^\circ 19' 00''$  (LT)  
 $D = 0^\circ 02' 39''$   
 $R = 134,262.60'$   
 $T = 370.00'$   
 $L = 740.00'$   
 $E = 0.51'$   
 P.C. STA. = 703+29.32  
 P.T. STA. = 710+70.00

F.A.P. RTE.	SECTION	COUNTY	TOTAL SHEETS	SHEET NO.
749	122RS-3	*	54	30
STA. 700+00		TO STA. 730+00		
FED. ROAD DIST. NO.		ILLINOIS FED. AID PROJECT		
CONTRACT NO. 90769				
* DOUGLAS, COLES & EDGAR				

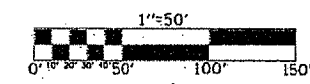


BITUMINOUS SURFACE REMOVAL - BUTT JOINT  
 INCIDENTAL BITUMINOUS SURFACING

BRIDGE OMISSION  
 STATION 711+49.33 TO STATION 714+69.81



BITUMINOUS SURFACE REMOVAL - BUTT JOINT  
 INCIDENTAL BITUMINOUS SURFACING



ILLINOIS DEPARTMENT OF TRANSPORTATION  
**PLAN VIEW**  
 F.A.P. ROUTE 749 (IL RTE 133)  
 SECTION 122RS-3  
 DOUGLAS, COLES & EDGAR COUNTY  
 SCALE: DATE 04/28/04 DRAWN BY: CADD CHECKED BY: