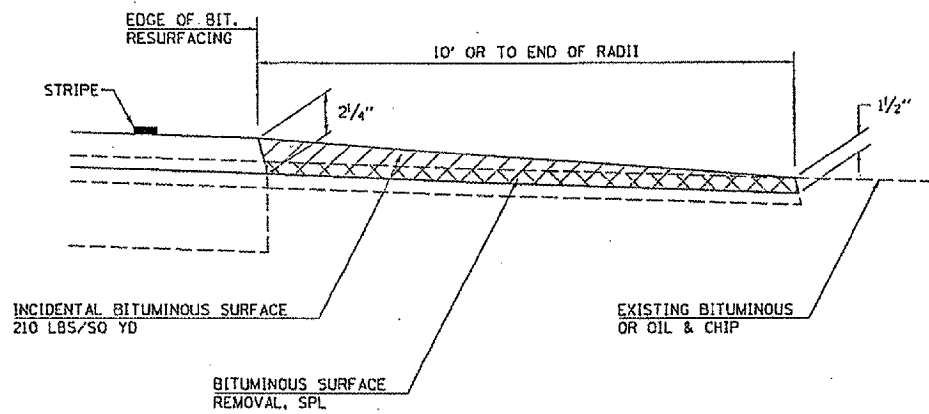


F.A.P. RTE.	SECTION	COUNTY	TOTAL SHEET NO.	SHEET NO.
749	122RS-3		54	47

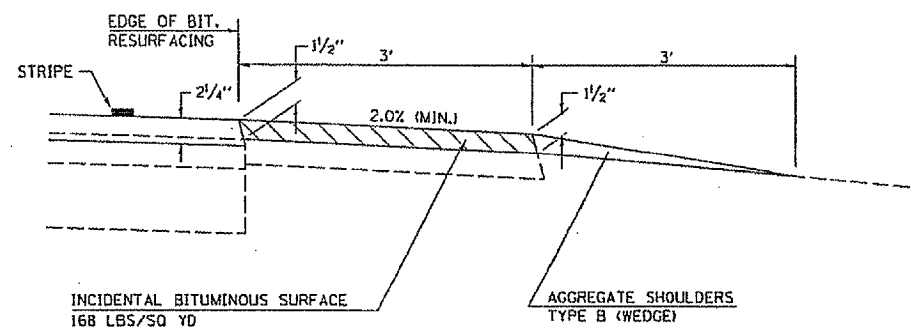
CONTRACT NO. 90769
 • DOUGLAS, COLES & EDGAR

PRIVATE ENTRANCE, COMMERCIAL ENTRANCE, OR SIDEROAD
 (BITUMINOUS OR OIL & CHIP)



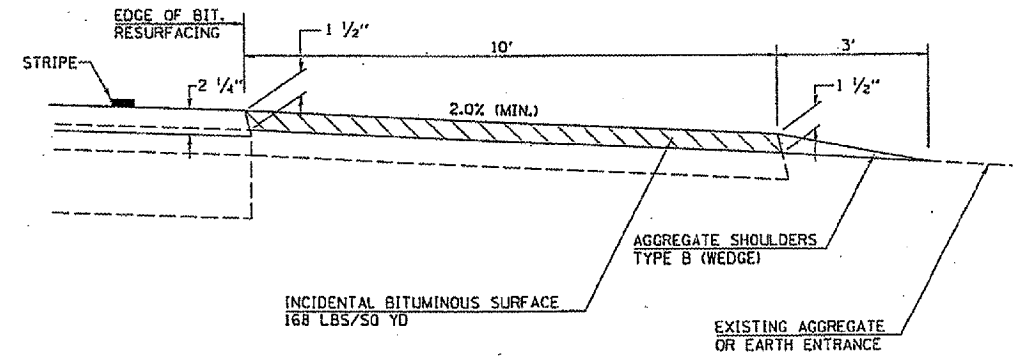
NOTES: THE INCIDENTAL BITUMINOUS SURFACING IS INTENDED TO RESURFACE THE EXISTING ENTRANCES IN THEIR ENTIRETY. THE EXISTING SIDEROADS SHOULD BE RESURFACED TO MAINTAIN THEIR CURRENT RADII UNLESS OTHERWISE SHOWN IN PLANS.

FIELD ENTRANCE
 (AGGREGATE OR EARTH)



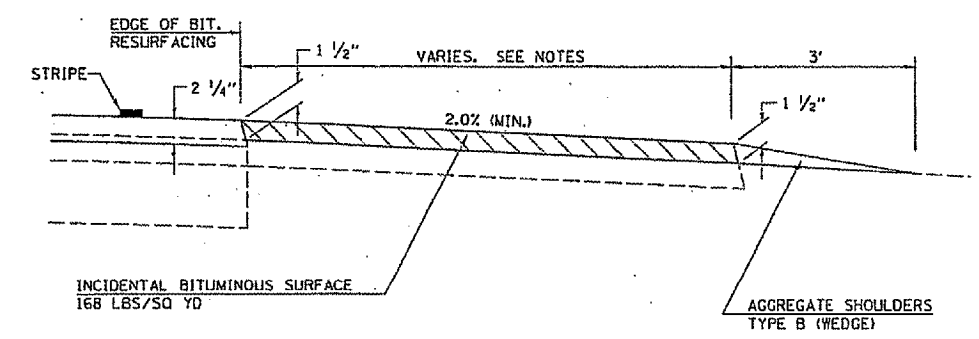
NOTES: THE INCIDENTAL BITUMINOUS SURFACING IS INTENDED TO RESURFACE THE EXISTING ENTRANCES IN THEIR ENTIRETY UNLESS OTHERWISE SHOWN IN PLANS.

PRIVATE OR COMMERCIAL ENTRANCE
 (AGGREGATE OR EARTH)



NOTES: THE INCIDENTAL BITUMINOUS SURFACING IS INTENDED TO RESURFACE THE EXISTING ENTRANCES IN THEIR ENTIRETY UNLESS OTHERWISE SHOWN IN PLANS.

MAILBOX TURNOUTS



NOTES: THE INCIDENTAL BITUMINOUS SURFACING IS INTENDED TO RESURFACE THE EXISTING MAILBOX TURNOUTS IN THEIR ENTIRETY UNLESS OTHERWISE SHOWN IN PLANS.