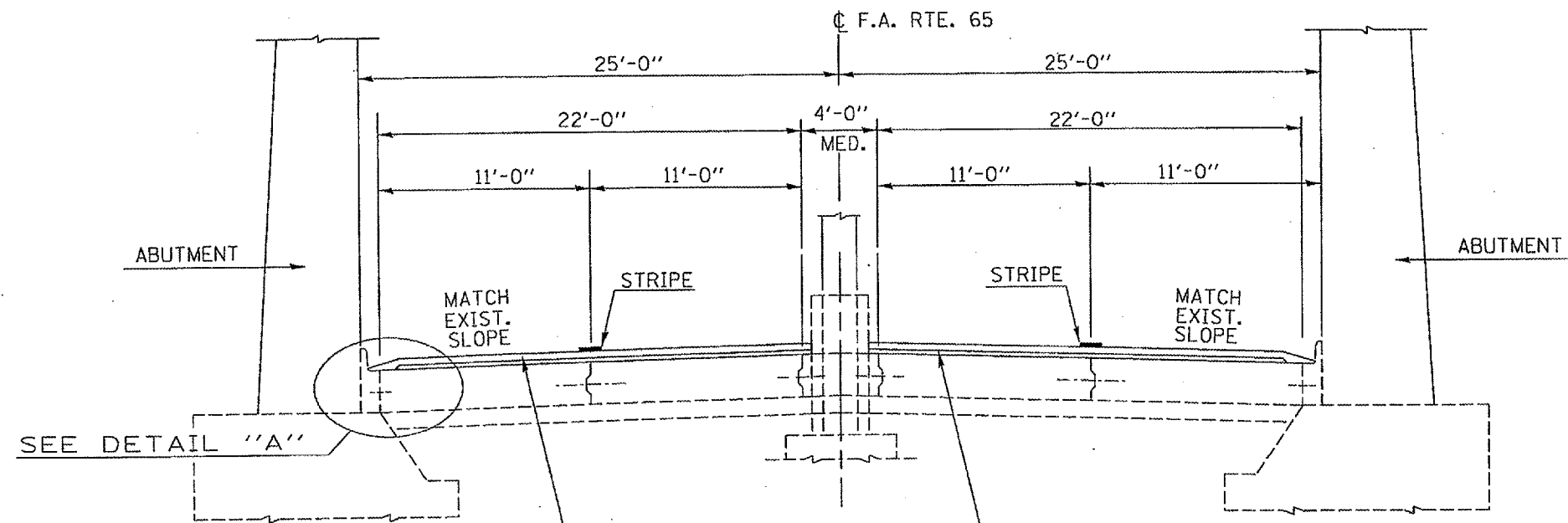


F.A.P. RTE.	SECTION	COUNTY	TOTAL SHEETS	SHEET NO.
716	130(R,R-URS)	MACON	36	17

CONTRACT NO. 90929

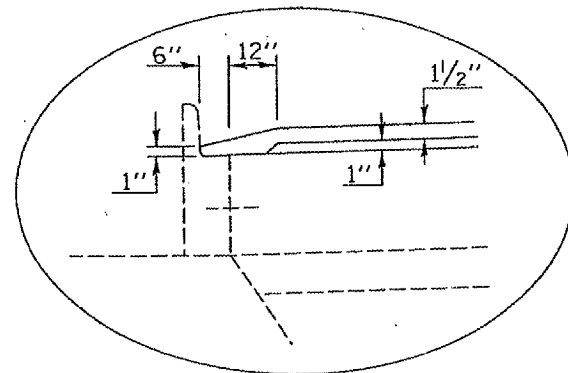
PROPOSED TYPICAL CROSS SECTION (4)

STATION TO STATION
 (3) 130+78.00 TO 132+85.00 (3)
 BRIDGE OMISSION:
 (3) 134+71.20 TO 136+82.80 (2)



LEVELING BINDER (MACHINE METHOD),
 SUPERPAVE, N90, (112 LBS./SQ.YD.)

BITUMINOUS CONCRETE SURFACE
 COURSE, SUPERPAVE, MIX D, N90,
 (168 LBS./SQ.YD.)



DETAIL "A"