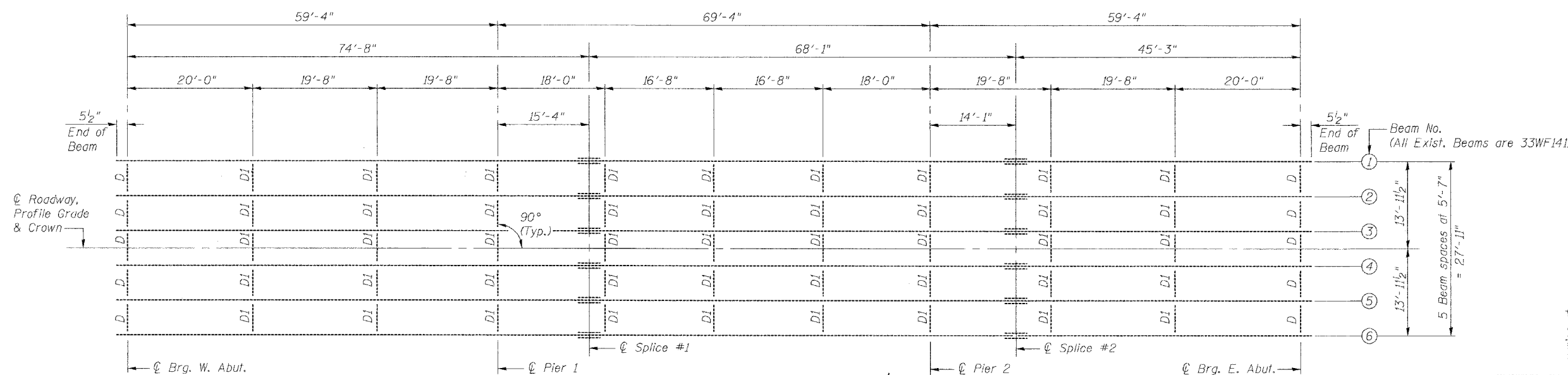


ROUTE NO.	SEC	COUNTY	TOTAL SHEETS	SHEET NO.
FAS RTE 1588	#	ADAMS	20	15

RED. ROAD DIST. NO. 7 ILLINOIS PROJECT
* 04-00185-00-BR

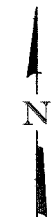
9:02:12 AM

4/14/2004

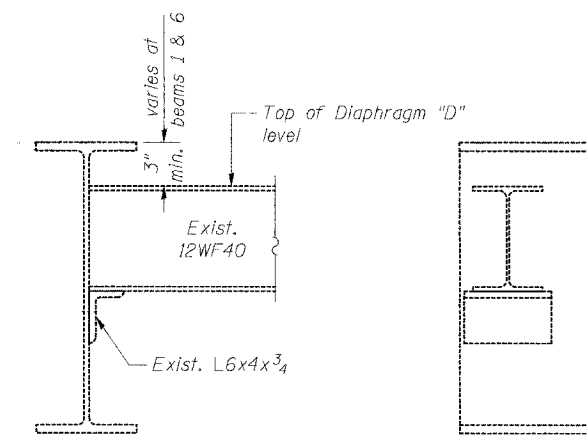


FRAMING PLAN

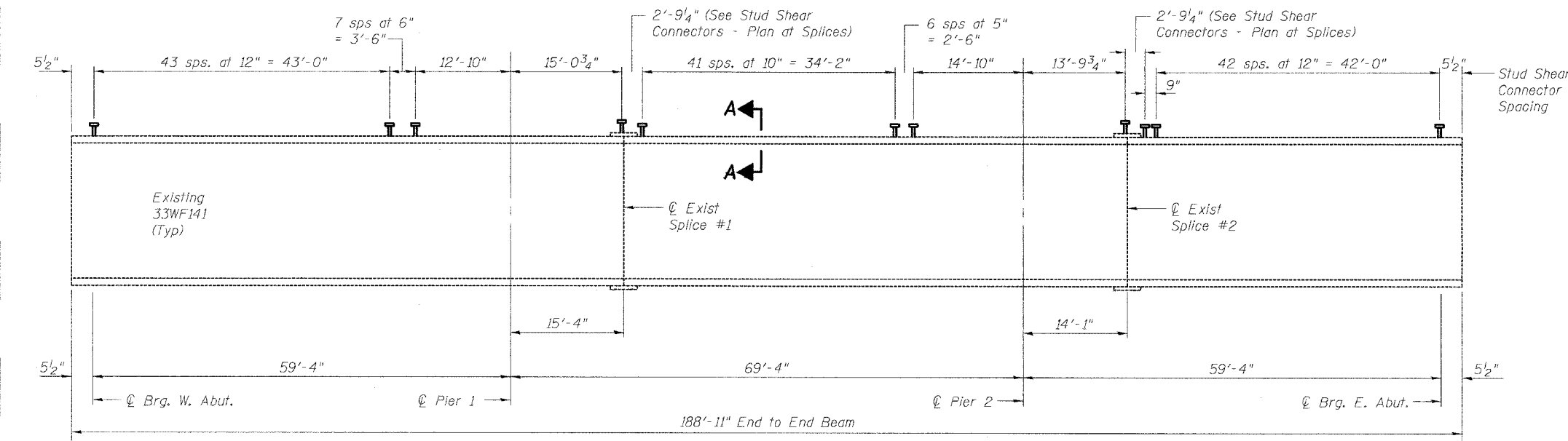
Note: All dimensions in the plan are measured horizontally



Notes:
Existing Diaphragm "D1" are 16WF36.

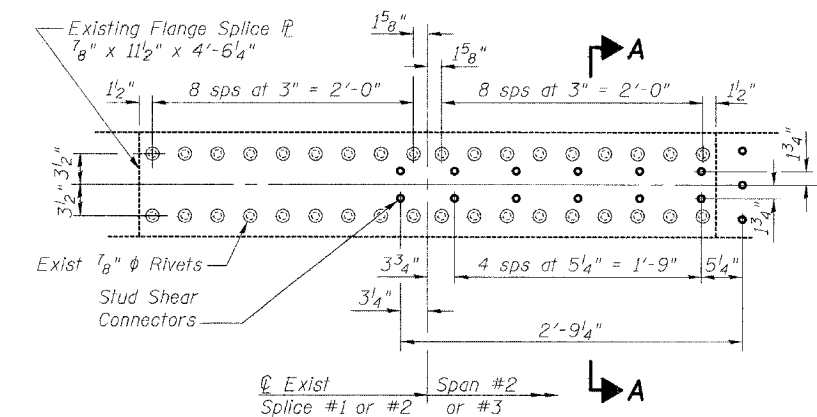


END DIAPHRAGM, D

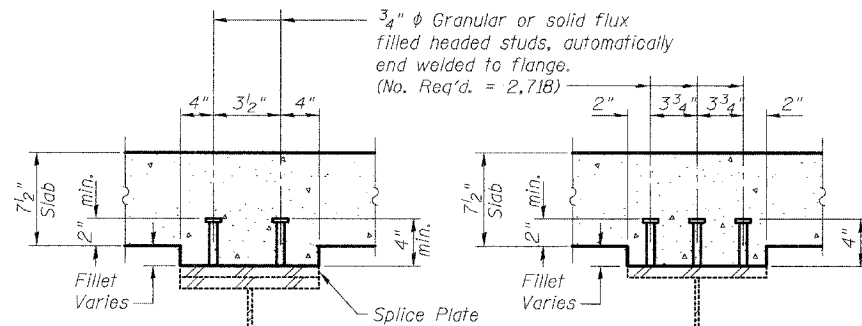


BEAM ELEVATION

Notes:
Adjust stud shear connector spacing in field to miss posts of the Steel Bridge Rail (Special). See sheet #6 of 12.



STUD SHEAR CONNECTORS - PLAN AT SPLICES



SECTION A-A

REV. NO.	DRAWN	CHKD.	APPD.	DESCRIPTION	DATE
	BGJ	X/W			03/04

F.A.S. RTE. 1588 OVER MCKEE CREEK
SECTION 04-00185-00-BR
Project RS-1588 (106)
ADAMS COUNTY

STRUCTURAL STEEL DETAILS
STRUCTURE NUMBER 001-3026
STATION 314+60.75

p:\04Files\040025\Bridges\Plans\001-3026-Bridge.dgn