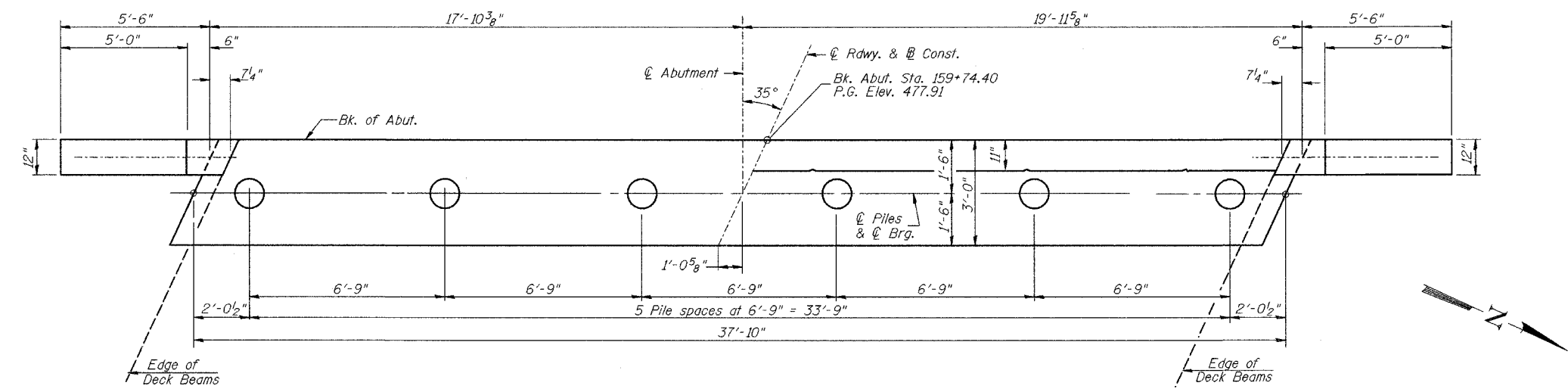


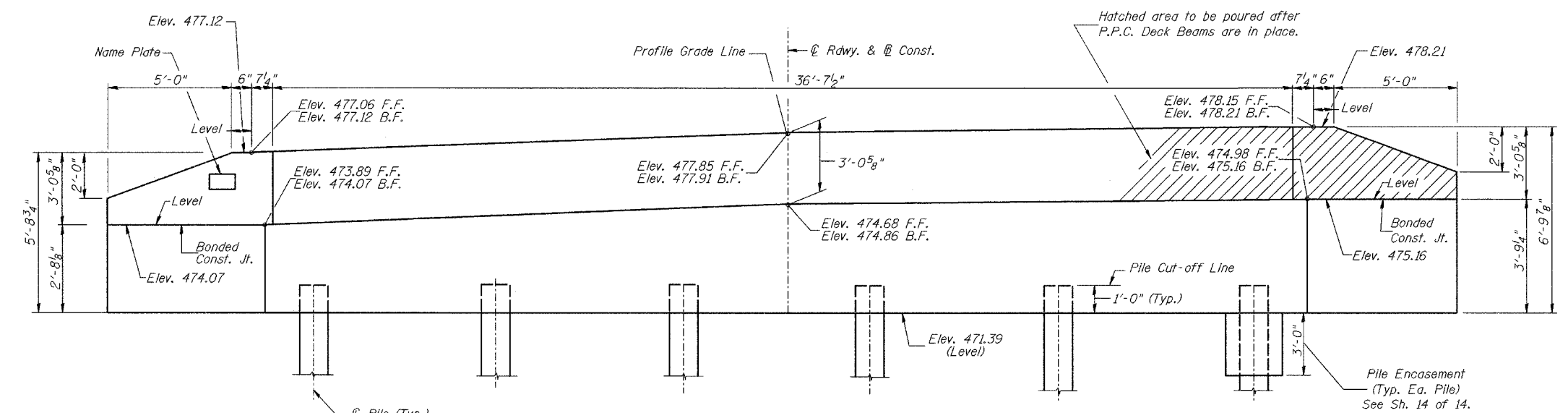
ROUTE NO.	SECTION	COUNTY	TOTAL SHEETS	SHEET NO.
CH 19	*	MORGAN	76	28
FED. ROAD DIST. NO. 7		ILLINOIS	PROJECT RS-BRS-611(106)	
*02-00088-00-BR				

SHEET NO. 7
14 SHEETS

93388



PLAN
(Showing Dimensions)



ELEVATION
(Front View of Abutment Showing Dimensions)

WEST ABUTMENT LAYOUT
C.H. 19 OVER CONOVER BRANCH
SECTION 02-00088-00-BR
MORGAN COUNTY
STATION 160+96.19