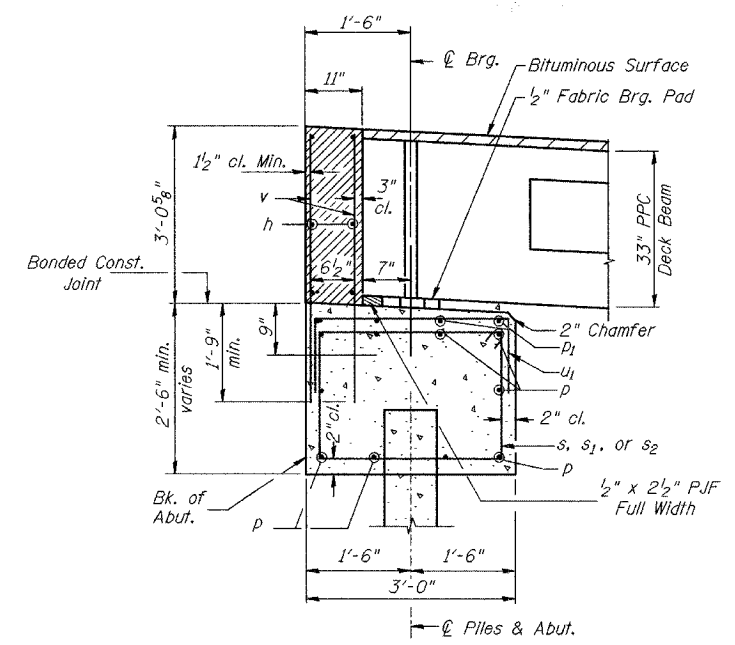
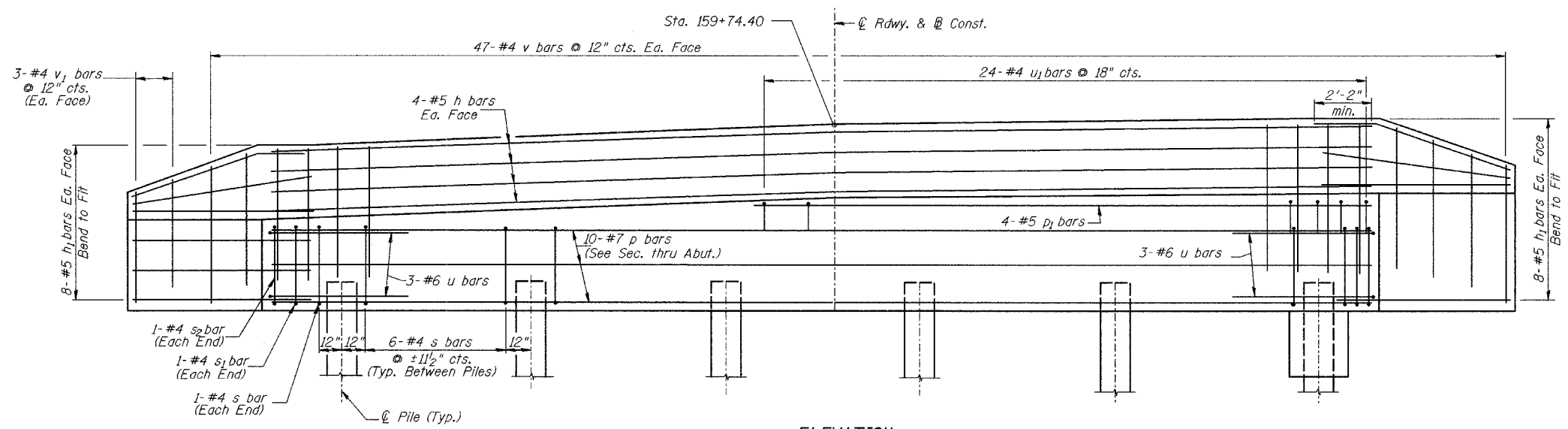


PLAN
(Showing Reinforcement)



SECTION THRU ABUT.
(At Right Angles)



ELEVATION
(Front View of Abutment Showing Reinforcement)

**WEST ABUTMENT
BILL OF MATERIAL**

BAR	NO.	SIZE	LENGTH	SHAPE	
h	8	#5	37'-6"	—	
h1	32	#5	8'-1"	—	
p	10	#7	37'-6"	—	
p1	4	#5	33'-8"	—	
s	32	#4	10'-5"	□	
s1	2	#4	7'-10"	□	
s2	2	#4	8'-8"	□	
u	6	#6	12'-2"	▤	
u1	24	#4	6'-4"	□	
v	94	#4	4'-8"	—	
v1	6	#4	3'-5"	—	
① Concrete Structures				CU YD	19.4
Reinforcement Bars				POUND	2,250
Structure Excavation				CU YD	60
Name Plates				EACH	1
Furnishing Metal Pile Shells 14"				FOOT	265
Driving and Filling Shells				FOOT	265
Test Pile Metal Shells				EACH	1
① Concrete Encasement				CU YD	1.9

① See Special Provisions

DESIGN STRESSES

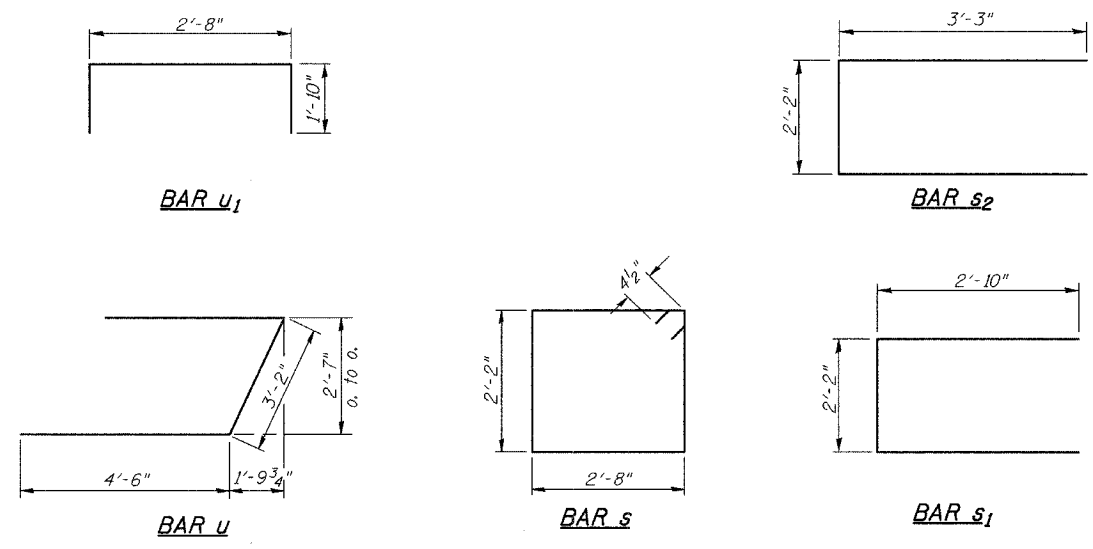
$f'_c = 3,500$ p.s.i.
 $f_y = 60,000$ p.s.i.

PILE DATA

Type: 14" Metal Shell
Capacity: 45 Ton
Est. Length: 53'
No. Req'd.: 6 (Includes 1 Test Pile)

NOTES

- The Backwall and the portion of the Wingwalls above the bonded construction joint shall be cast against the in-place beam.
- Reinforcement bars shall conform to A.A.S.H.T.O. M-31 or M-322, Grade 60.



**WEST ABUTMENT DETAILS
C.H. 19 OVER CONOVER BRANCH
SECTION 02-00088-00-BR
MORGAN COUNTY
STATION 160+96.19**