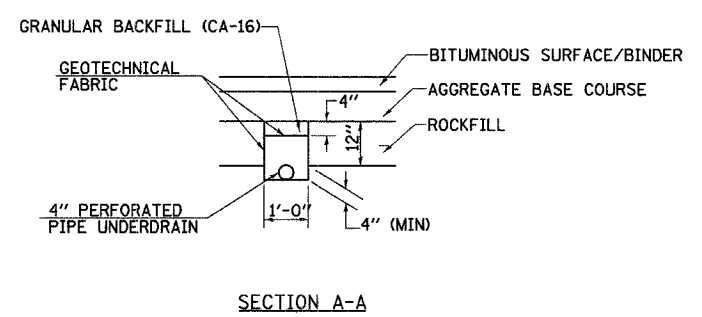
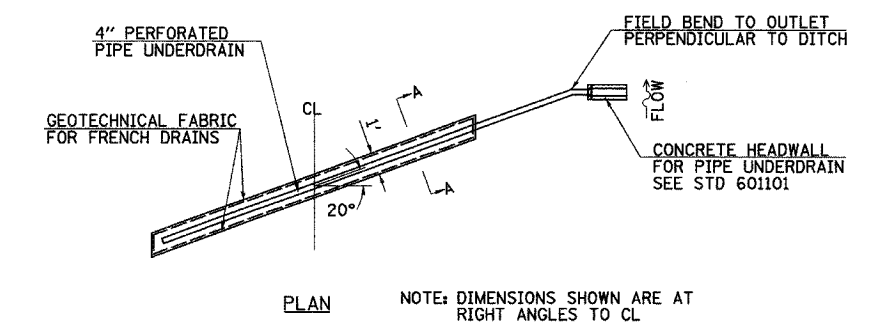
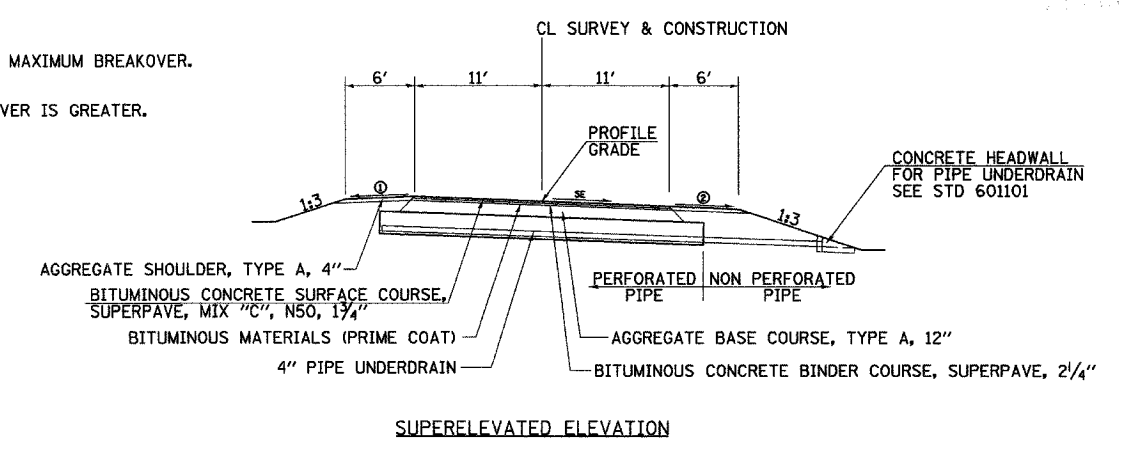


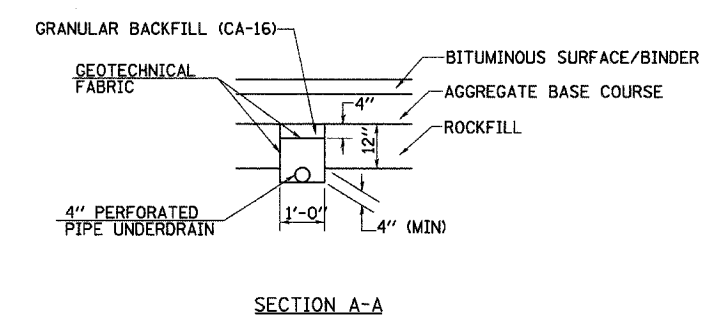
TRANSVERSE DRAIN TANGENT PAVEMENT



- NOTES:**
- ① HIGH SIDE
6% & VARIES, 10% MAXIMUM BREAKOVER.
 - ② LOW SIDE
6% OR SE, WHICHEVER IS GREATER.



TRANSVERSE DRAIN SUPERELEVATED PAVEMENT



GENERAL NOTES

TRANSVERSE DRAIN MATERIALS AND CONSTRUCTION SHALL CONFORM TO SECTION 601 OF THE STANDARD SPECIFICATIONS EXCEPT THAT NO FABRIC ENVELOPE IS REQUIRED ON PERFORATED PIPE AND THE GRANULAR BACKFILL GRADATION SHALL BE CA-16.

GEOTECHNICAL FABRIC SHALL BE NON-WOVEN NEEDLE PUNCHED MATERIAL

ALL MATERIALS WILL NOT BE MEASURED SEPARATELY, BUT WILL BE INCLUDED IN THE COST PER UNIT FOR TRANSVERSE DRAINS.

SKEW TRANSVERSE DRAIN 20° FORWARD IN DIRECTION OF FLOW.

REVISIONS	
NAME	DATE

ILLINOIS DEPARTMENT OF TRANSPORTATION

SPECIAL DETAILS

DRAWN BY
CHECKED BY

DATE