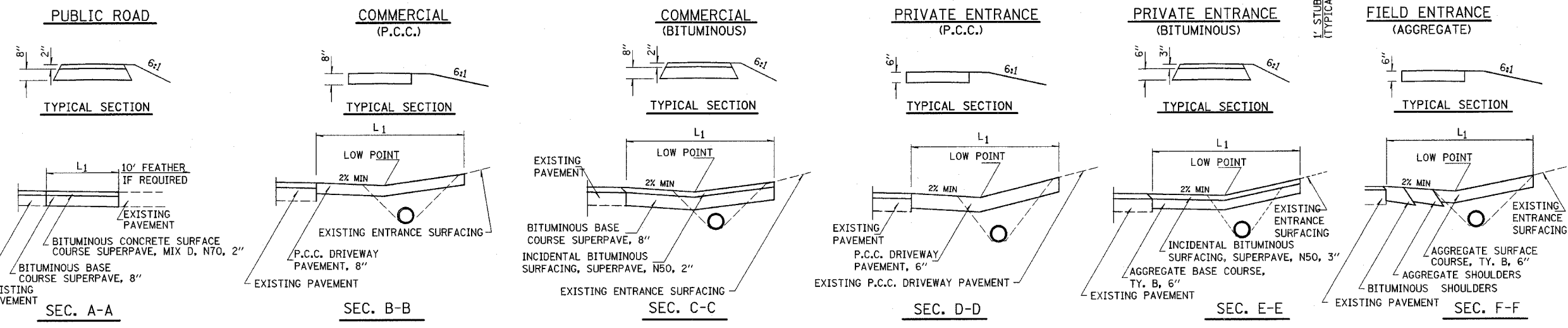
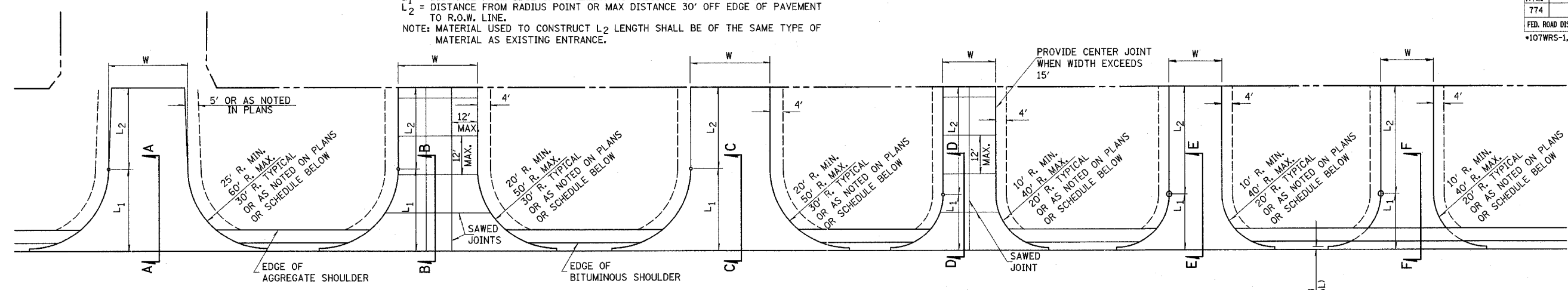


L<sub>1</sub> = DISTANCE FROM EDGE OF PAVEMENT TO RADIUS POINT OR MAX. DISTANCE 30'  
L<sub>2</sub> = DISTANCE FROM RADIUS POINT OR MAX DISTANCE 30' OFF EDGE OF PAVEMENT TO R.O.W. LINE.  
NOTE: MATERIAL USED TO CONSTRUCT L<sub>2</sub> LENGTH SHALL BE OF THE SAME TYPE OF MATERIAL AS EXISTING ENTRANCE.



ENTRANCE SCHEDULE

| EXIST SURFACE | TYPE | SIDE/STATION  | WIDTH | LENGTH         |                | RADIUS | AGGREGATE BASE COURSE TYPE B |         | INCID. BIT. SURFACING, SUPERPAVE, N50 | P.C.C. DRIVEWAY PAV'T, 6" | TEMPORARY ACCESS (PE) | TEMPORARY ACCESS (CE) |
|---------------|------|---------------|-------|----------------|----------------|--------|------------------------------|---------|---------------------------------------|---------------------------|-----------------------|-----------------------|
|               |      |               |       | L <sub>1</sub> | L <sub>2</sub> |        | TON                          | SQ. YD. |                                       |                           |                       |                       |
| AGG           | CE   | LT/953+15.73  | 35'   | 30'            | 8'             | 30'    | 16                           | 160     | 11                                    | 18                        |                       | 1                     |
| AGG           | PE   | RT/967+27.95  | 12'   | 20'            | 18'            | 20'    |                              |         | 8                                     | 8                         |                       |                       |
| BIT           | PE   | RT/970+42.68  | 24'   | 20'            | 8'             | 20'    | 32                           |         |                                       | 16                        |                       | 1                     |
| CONC          | PE   | RT/972+37.06  | 17'   | 20'            | 31'            | 20'    |                              |         |                                       | 115                       | 1                     |                       |
| CONC          | PE   | LT/973+25.02  | 12'   | 20'            | 8'             | 20'    |                              |         |                                       | 56                        | 1                     |                       |
| CONC          | PE   | RT/977+48.03  | 22'   | 20'            | 8'             | 20'    |                              |         |                                       | 88                        | 1                     |                       |
| BIT           | PE   | RT/982+13.12  | 22'   | 20'            | 20'            | 20'    | 133                          |         |                                       | 65                        | 1                     |                       |
| EARTH         | FE   | LT/1001+08.52 | 12'   | 20'            | 68'            | 20'    |                              |         | 5                                     |                           | 1                     |                       |
| AGG           | FE   | RT/1002+39.03 | 12'   | 20'            | 68'            | 20'    |                              |         | 36                                    |                           | 1                     |                       |
| AGG           | FE   | RT/1013+70.97 | 15'   | 20'            | 105'           | 20'    |                              |         | 66                                    |                           | 1                     |                       |
| BIT           | CE   | RT/1021+73.10 | 35'   | 30'            | 5'             | 20'    |                              |         | 20                                    |                           |                       | 1                     |
| CONC          | PE   | LT/1022+11.30 | 20'   | 20'            | 31'            | 20'    |                              |         |                                       | 195                       | 1                     |                       |
| AGG           | CE   | RT/1024+56.23 | 35'   | 30'            | 3'             | 30'    |                              |         | 4                                     | 18                        |                       | 1                     |
| BIT           | PE   | LT/1034+14.52 | 24'   | 20'            | 20'            | 20'    | 119                          |         |                                       | 58                        | 1                     |                       |

ENTRANCE SCHEDULE

| EXIST SURFACE | TYPE | SIDE/STATION | WIDTH | LENGTH         |                | RADIUS  | AGGREGATE BASE COURSE TYPE B |         | BITUMINOUS BASE COURSE SUPERPAVE, 8" | AGGREGATE SURFACE COURSE TYPE B | INCID. BIT. SURFACING, SUPERPAVE, N50 | P.C.C. DRIVEWAY PAV'T, 6" | TEMPORARY ACCESS (PE) | TEMPORARY ACCESS (CE) |
|---------------|------|--------------|-------|----------------|----------------|---------|------------------------------|---------|--------------------------------------|---------------------------------|---------------------------------------|---------------------------|-----------------------|-----------------------|
|               |      |              |       | L <sub>1</sub> | L <sub>2</sub> |         | TON                          | SQ. YD. |                                      |                                 |                                       |                           |                       |                       |
| AGG           | FE   | LT/81+33.05  | 20'   | 10'            | -              | 10'     |                              |         |                                      | 9                               |                                       |                           | 1                     |                       |
| BIT           | MB   | LT/241+07.92 | 35'   | 17'            | -              | 17'     | 6                            | 80      |                                      | 3                               |                                       |                           |                       | 1                     |
| AGG           | CE   | LT/241+31.00 | 35'   | 17'            | -              | 17'     |                              | 80      |                                      | 9                               |                                       |                           |                       | 1                     |
| AGG           | CE   | RT/241+31.00 | 35'   | 17'            | -              | 17'     |                              |         |                                      | 9                               |                                       |                           |                       | 1                     |
| AGG           | FE   | RT/203+00.00 | 12'   | 19'            | 64'            | 20'     |                              |         |                                      | 49                              |                                       |                           | 1                     |                       |
| AGG           | FE   | LT/211+87.45 | 35'   | 7'             | -              | -       |                              |         |                                      | 7                               |                                       |                           | 1                     |                       |
| CONC          | PE   | LT/105+81.69 | 24'   | 10'            | 8'             | 10'     |                              |         |                                      |                                 | 55                                    |                           | 1                     |                       |
| BIT           | MB   | LT/105+96.86 | 16'   | 34'            | -              | 20'/52' | 6                            |         |                                      | 3                               |                                       |                           | 1                     |                       |
| EARTH         | FE   | LT/184+07.92 | 16'   | 34'            | -              | 20'/52' |                              |         | 21                                   |                                 |                                       |                           | 1                     |                       |

| PUBLIC ACCESS          | STATION RANGE         |
|------------------------|-----------------------|
| RELOCATED NAZARENE RD  | 79+50.00 - 84+87.47   |
| WEBB ST                | 240+00.00 - 242+00.00 |
| BRIARWOOD DR           | 90+00.00 - 92+50.00   |
| LYNN ACRES DR          | 97+50.00 - 100+00.00  |
| COUNTRY ESTATES RD     | 105+00.00 - 107+00.00 |
| LEPRECHAUN LANE        | 110+00.00 - 112+37.28 |
| IRISH HILL RD          | 120+00.00 - 122+64.46 |
| WABASH RIVER HILLS RD  | 127+05.43 - 130+00.00 |
| RELOCATED 1200TH ST    | 200+00.00 - 214+52.15 |
| LAKE RD                | 150+00.00 - 153+00.00 |
| RELOCATED WOOD BIRD DR | 300+00.00 - 310+00.00 |
| FORD AVE               | 178+79.12 - 189+43.16 |

- ① SEE STANDARD 406201 FOR DETAILS. SEE SECTION E-E FOR SIMILAR SECTION.
- ② SEE PLAN AND PROFILE SHEET FOR DETAILS. NOTE: QUANTITY INCLUDES LANE.

| REVISIONS |      |
|-----------|------|
| NAME      | DATE |
|           |      |
|           |      |
|           |      |
|           |      |
|           |      |
|           |      |
|           |      |
|           |      |
|           |      |
|           |      |

ILLINOIS DEPARTMENT OF TRANSPORTATION

RURAL ENTRANCE DETAILS & SCHEDULES SHEET 1 OF 2

DATE 8/02

DRAWN BY DIST 7  
CHECKED BY BWC

\*DGN-SPEC\*  
\*DATE\*