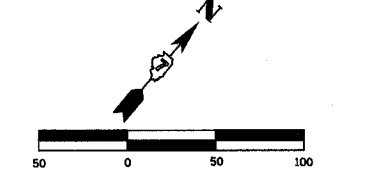
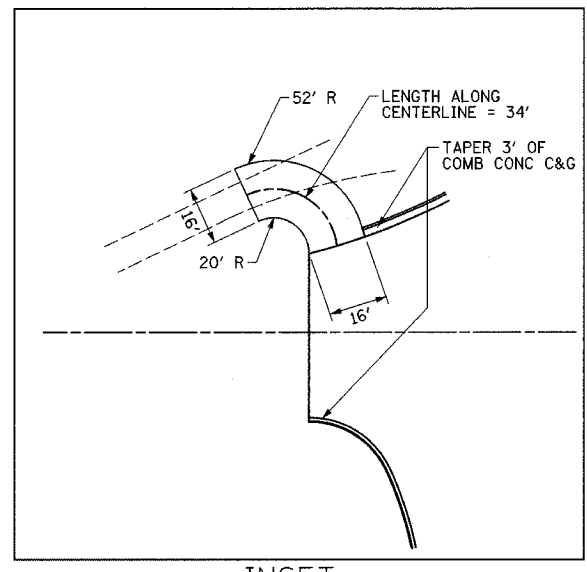


F.A.P. RTE.	SECTION	COUNTY	TOTAL SHEETS	SHEET NO.
774	*	EFFINGHAM	273	74

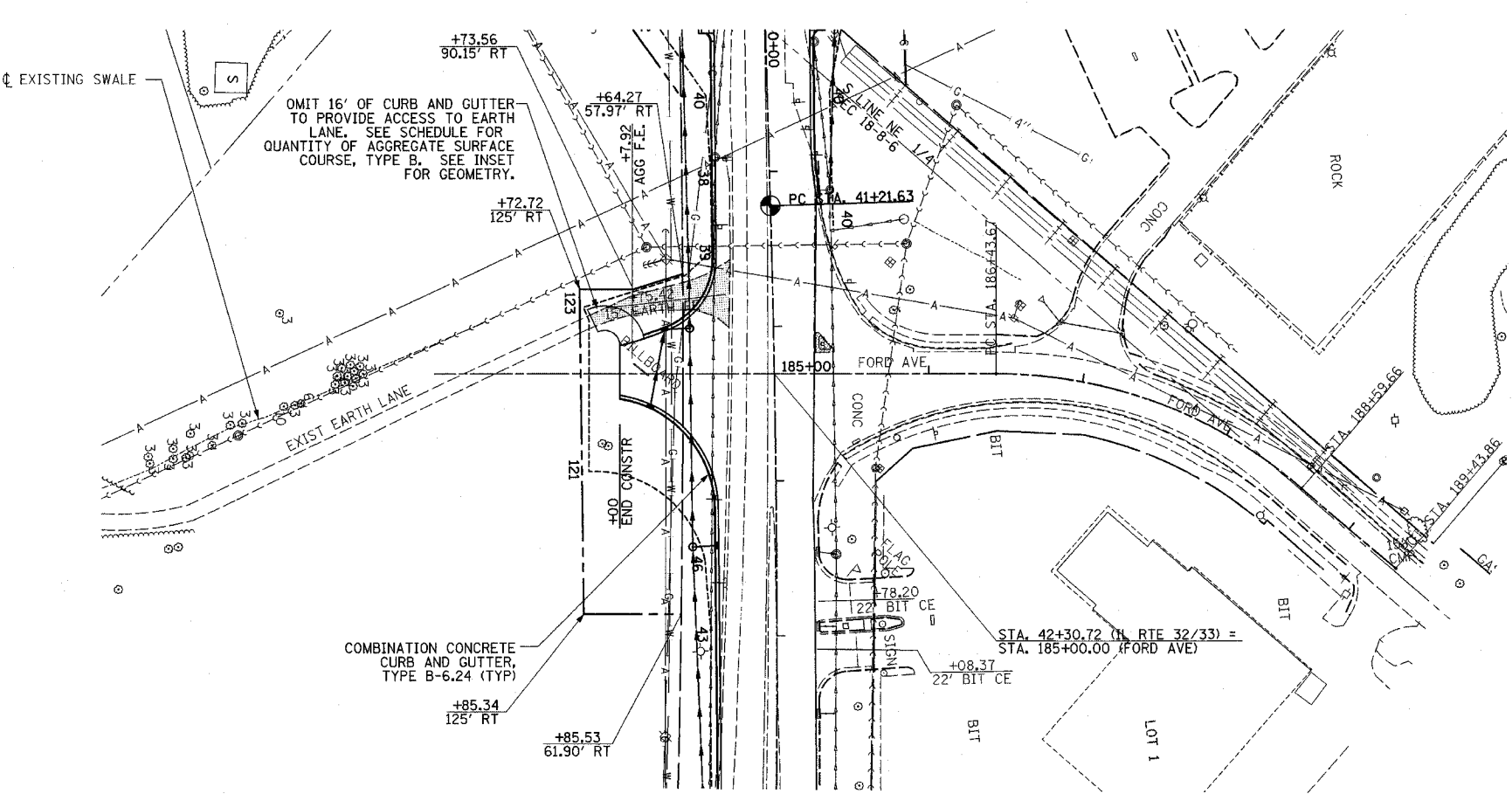
FED. ROAD DIST. NO. 7 ILLINOIS FED. AID PROJECT  
 \* 107WRS-1, 107BY, 107BY-1 & 107B-2  
**CONTRACT NO. 94827**



PLAN	DATE
BY	
NO.	



INSET



FOR INTERSECTION GEOMETRICS  
SEE SHEET 79

FOR STORM SEWER SCHEDULE  
SEE SHEET 28

PROFILE	DATE
BY	
NO.	

