

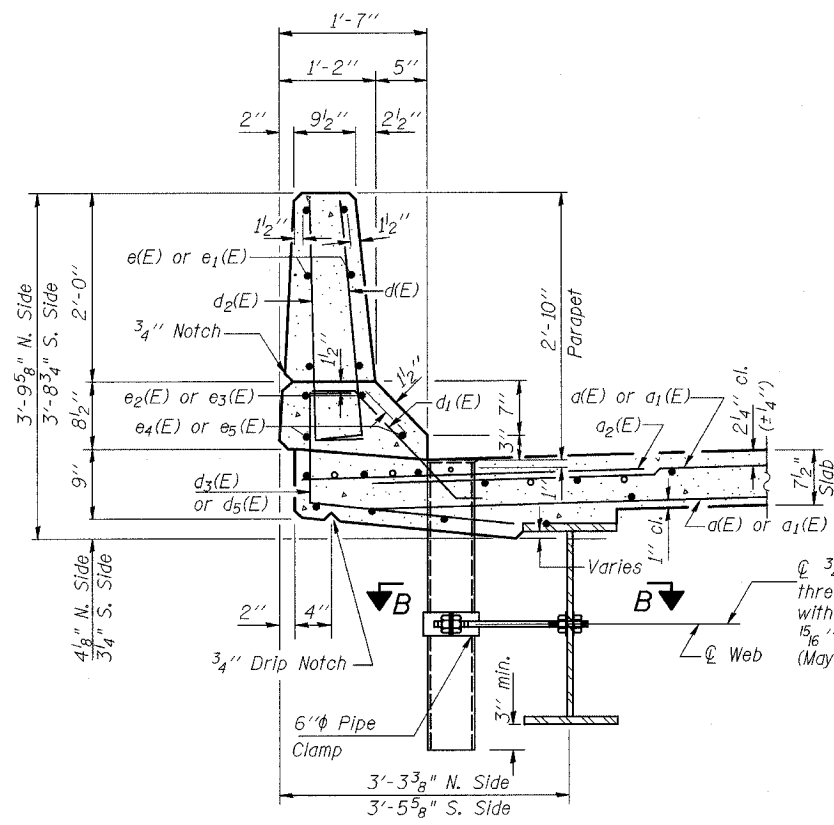
INSIDE ELEVATION OF PARAPET

MIN. BAR LAPS IN PARAPET

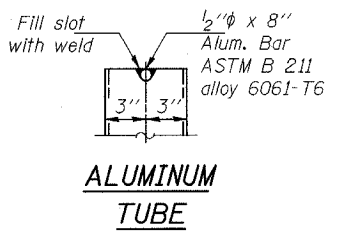
- #4 = 1'-8"
- #5 = 2'-2"
- #8 = 4'-6"

SUPERSTRUCTURE BILL OF MATERIAL

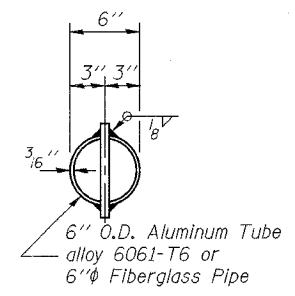
Bar	No.	Size	Length	Shape
a(E)	923	#5	30'-11"	—
a1(E)	923	#5	47'-11"	—
a2(E)	538	#6	4'-6"	—
a3(E)	16	#5	2'-0"	—
b(E)	672	#5	29'-6"	—
b1(E)	243	#6	30'-0"	—
b2(E)	864	#5	26'-5"	—
d(E)	494	#5	3'-0"	—
d1(E)	482	#5	2'-5"	—
d2(E)	494	#4	3'-0"	—
d3(E)	247	#4	3'-9"	—
d4(E)	12	#5	2'-2"	—
d5(E)	247	#4	4'-0"	—
e(E)	72	#4	31'-5"	—
e1(E)	24	#4	21'-6"	—
e2(E)	24	#8	33'-3"	—
e3(E)	8	#8	21'-6"	—
e4(E)	24	#5	31'-7"	—
e5(E)	8	#5	21'-6"	—
m(E)	20	#6	31'-8"	—
m1(E)	20	#6	7'-8"	—
m2(E)	8	#6	8'-5"	—
m3(E)	8	#6	2'-7"	—
m4(E)	8	#6	8'-1"	—
m5(E)	16	#6	10'-0"	—
m6(E)	40	#6	25'-10"	—
m7(E)	24	#6	10'-5"	—
s(E)	174	#5	7'-11"	—
s1(E)	156	#4	12'-2"	—
u(E)	164	#5	2'-9"	—
v(E)	162	#5	3'-4"	—
Reinforcement Bars, Epoxy Coated			Pound	152,780
Concrete Superstructure			Cu. Yds.	573.6
Bar Splicers			Each	1103



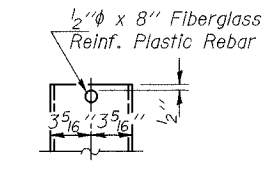
SECTION THRU PARAPET
(Showing 6" phi drain S. Side only)



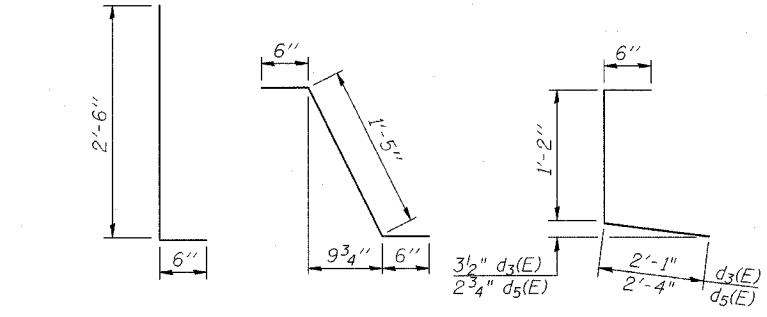
ALUMINUM TUBE



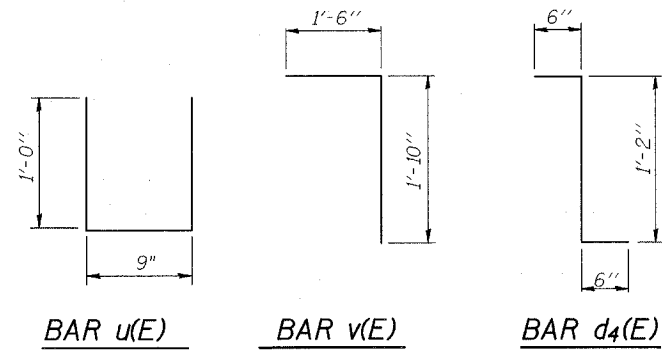
TOP PLAN
(Showing Aluminum Tube)



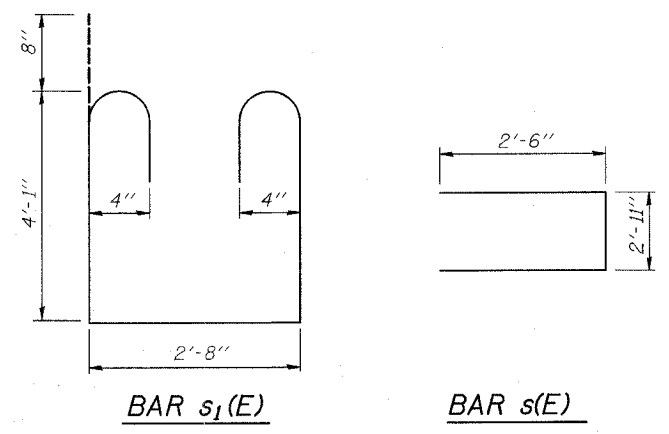
FIBERGLASS PIPE



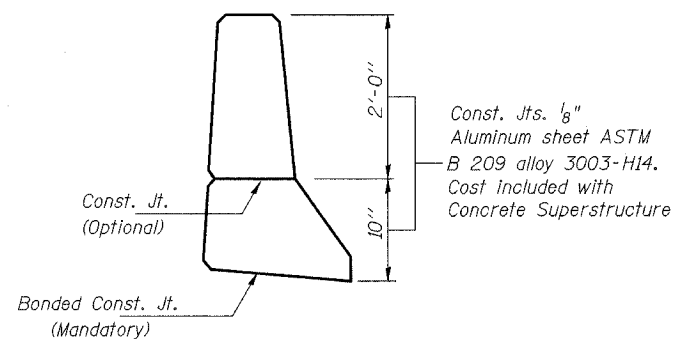
BARS d(E) & d2(E) BAR d1(E) BAR d3(E) & d5(E)



BAR u(E) BAR v(E) BAR d4(E)



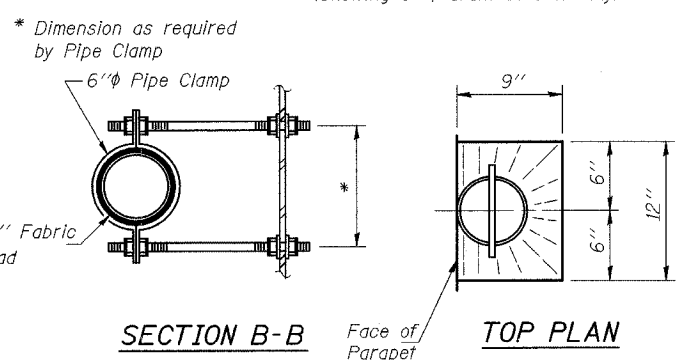
BAR s1(E) BAR s(E)



PARAPET JOINT DETAILS

NOTES

The exterior surfaces of the floor drains shall be painted with the finish coat as specified in the special provisions for Cleaning and Painting New Metal Structures. The exterior surfaces of the drains shall be cleaned according to Steel Structures Painting Council's Spec. SSPC-SP1 prior to painting. Fiberglass pipe shall conform to ASTM D 2996, with short-time rupture strength hoop tensile stress of 30,000 p.s.i. minimum.



SECTION B-B TOP PLAN

NOTES

Reinforcement bars designated (E) shall be epoxy coated. Bars indicated thus 1 x 2-#5 etc. indicates 1 line of bars with 2 lengths per line.

SHEET TITLE SUPERSTRUCTURE DETAILS		
PROJECT IL RTE. 32/33 OVER LITTLE WABASH RIVER OVERFLOW F.A.P. RTE. 774 SECTION 107BY-1 EFFINGHAM COUNTY STATION 1018+86.92 STRUCTURE NO. 025-0077	PROJECT NO. 02017	SCALE DATE DRAWN BY TFG CHECKED BY KPS/CME/MCB DRAWING NO.
COOMBE-BLOXDORF P.C. Engineers/Land Surveyors Springfield, Illinois Design Firm License No. 184-002703		9 OF 26 SHTS