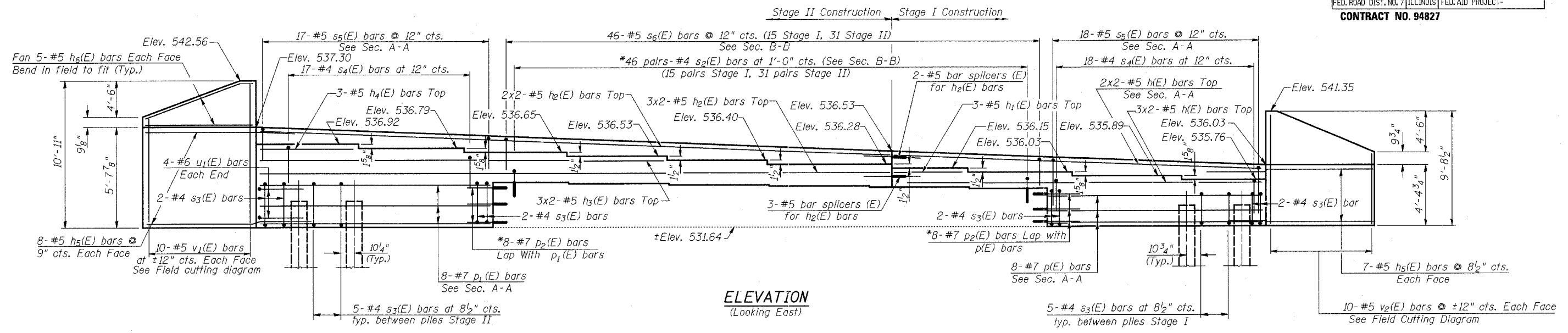
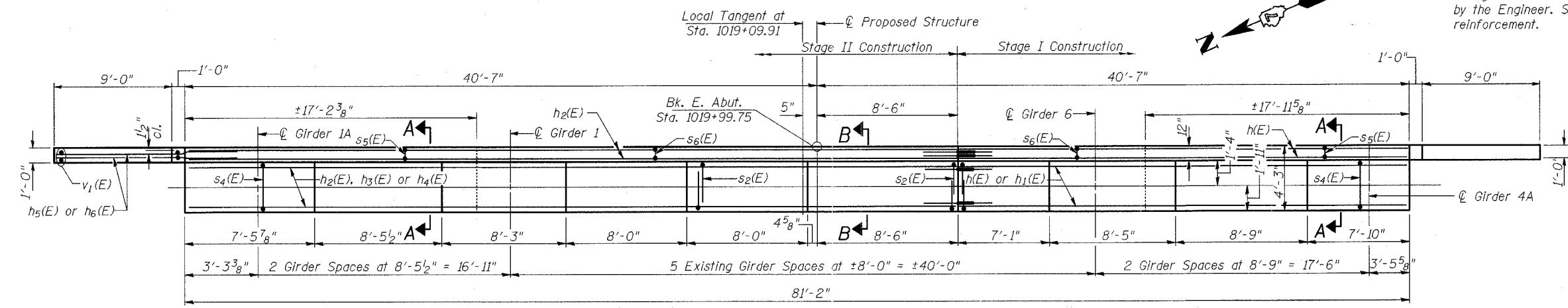


CONTRACT NO. 94827



**ELEVATION**  
(Looking East)

\*Epoxy grout bars 9" deep minimum drilled holes according to Section 584 of the Standard Specifications. The grout and method of application shall be approved by the Engineer. Space p<sub>2</sub>(E) bars to miss existing reinforcement.



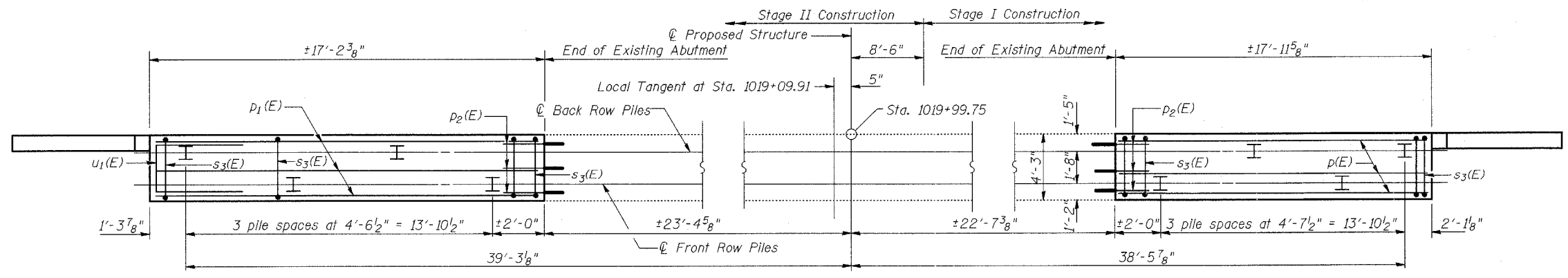
**PLAN**

**PILE DATA**

Type : HPI0 x 57  
Capacity : Driven to Refusal  
Length : 18'  
No Req'd. : 7 + 1 test pile

**Min. Bar Lap**

#5 bars = 1'-8"



**PLAN PILE CAP**  
Existing piles not shown

Work this sheet with sheet 20 of 26.

|  |   |               |             |
|--|---|---------------|-------------|
| SHEET TITLE  |   | EAST ABUTMENT |             |
| PROJECT  | IL RTE. 32/33 OVER<br>LITTLE WABASH RIVER OVERFLOW<br>F.A.P. RTE. 774 SECTION 107BY-1<br>EFFINGHAM COUNTY<br>STATION 1018+86.92<br>STRUCTURE NO. 025-0077 | PROJECT NO.   | 02017       |
| SCALE  |   | DATE          |             |
| DRAWN BY   | TFG   | CHECKED BY    | KPS/CME/MCB |
| DRAWING NO.  |   |               |             |
| <b>COOMBE-BLOXDORF P.C.</b><br>Engineers/Land Surveyors<br>Springfield, Illinois<br>Design Firm License No. 184-002703 |   | 19            | OF 26 SHTS  |