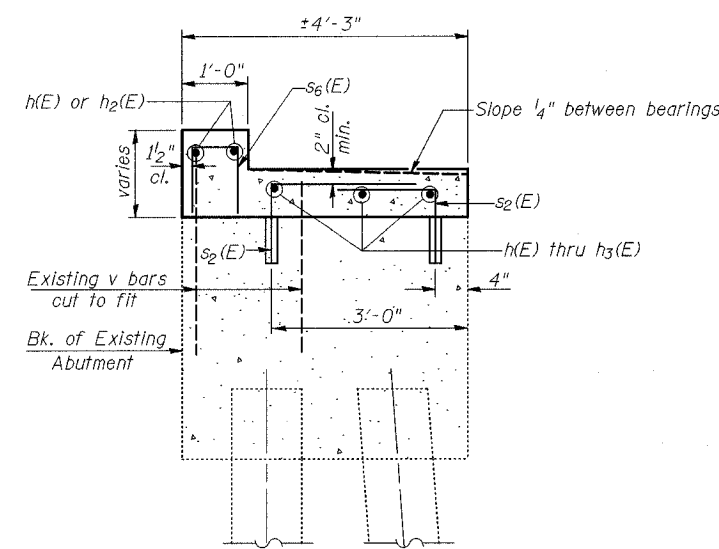


CONTRACT NO. 94827

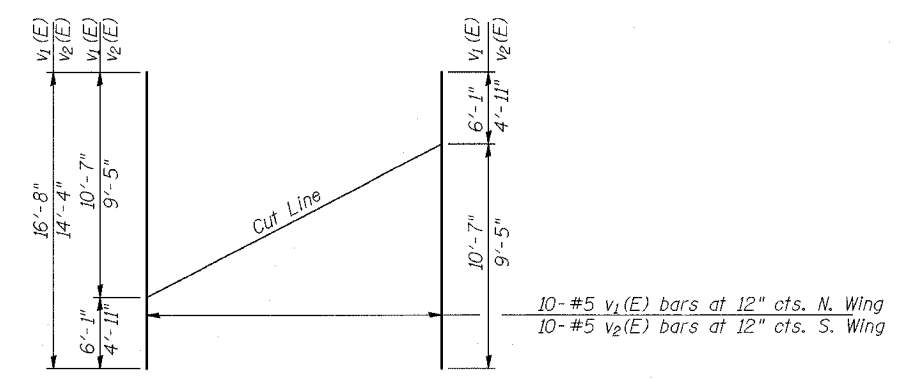
BILL OF MATERIAL 2-ABUTS.

Bar	No.	Size	Length	Shape
h(E)	20	#5	16'-9"	—
h ₁ (E)	6	#5	6'-9"	—
h ₂ (E)	20	#5	25'-3"	—
h ₃ (E)	12	#5	16'-9"	—
h ₄ (E)	6	#5	7'-1"	—
h ₅ (E)	60	#5	12'-2"	—
h ₆ (E)	40	#5	9'-8"	—
p(E)	16	#7	17'-7"	—
p ₁ (E)	16	#7	16'-10"	—
p ₂ (E)	32	#7	5'-9"	—
s ₂ (E)	184	#4	3'-9"	□
s ₃ (E)	76	#4	14'-11"	□
s ₄ (E)	70	#4	5'-5"	□
s ₅ (E)	70	#5	6'-1"	□
s ₆ (E)	92	#5	2'-3"	□
u ₁ (E)	16	#6	9'-0"	—
v ₁ (E)	20	#5	16'-8"	—
v ₂ (E)	20	#5	14'-4"	—
* Structure Excavation				Cu. Yd. 310
Concrete Structures				Cu. Yd. 79.9
Reinforcement Bars Epoxy Coated				Lbs. 6830
Furnishing Steel Piles HP10x57				Ft. 294
Driving Steel Piles				Ft. 294
Test Piles Steel HP10x57				Each 2
Bar Splicers				Each 10

Reinforcement bars designated (E) shall be epoxy coated.
*Structure Excavation = 155 Cu. Yd. per Abutment.

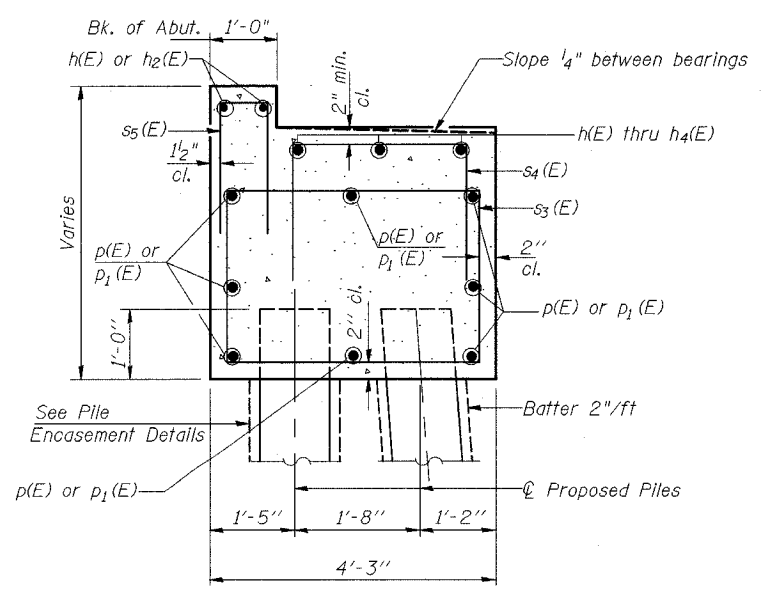
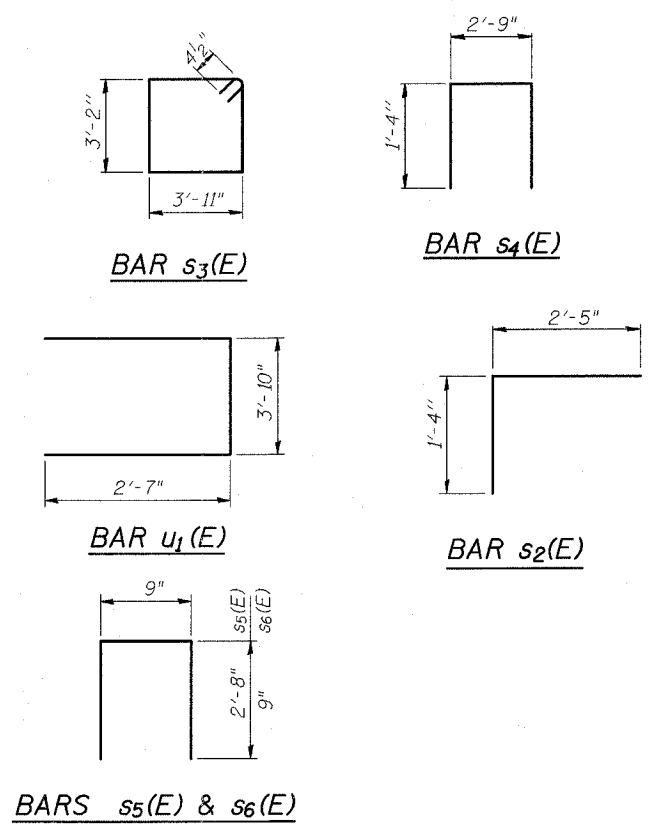


SECTION B-B

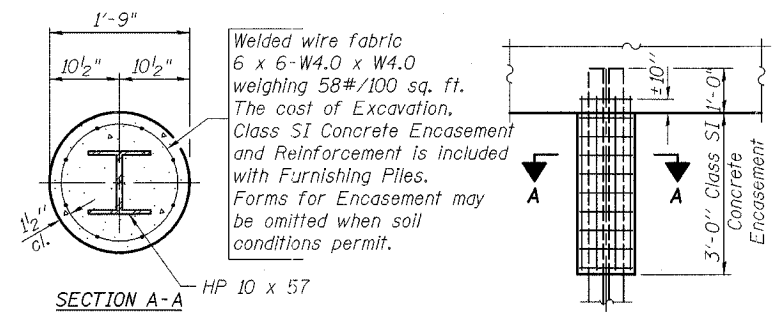


FIELD CUTTING DIAGRAM

Order v₁(E) and v₂(E) bars full length.
Cut as shown and use remainder of bars in opposite face.



SECTION A-A



PILE ENCASEMENT DETAIL

Welded wire fabric 6 x 6-W4.0 x W4.0 weighing 58#/100 sq. ft. The cost of Excavation, Class SI Concrete Encasement and Reinforcement is included with Furnishing Piles. Forms for Encasement may be omitted when soil conditions permit.

west-abut-details

Work this sheet with sheets 18 & 19 of 26.

SHEET TITLE		PROJECT NO.	
ABUTMENT DETAILS		02017	
PROJECT	IL RTE. 32/33 OVER LITTLE WABASH RIVER OVERFLOW F.A.P. RTE. 774 SECTION 107BY-1 EFFINGHAM COUNTY STATION 1018+86.92 STRUCTURE NO. 025-0077	SCALE	DATE
COOMBE-BLOXDORF P.C. Engineers/Land Surveyors Springfield, Illinois Design Firm License No. 184-002703		DRAWN BY	TFG
		CHECKED BY	KPS/CME/MCB
		DRAWING NO.	20
		OF 26 SHTS	