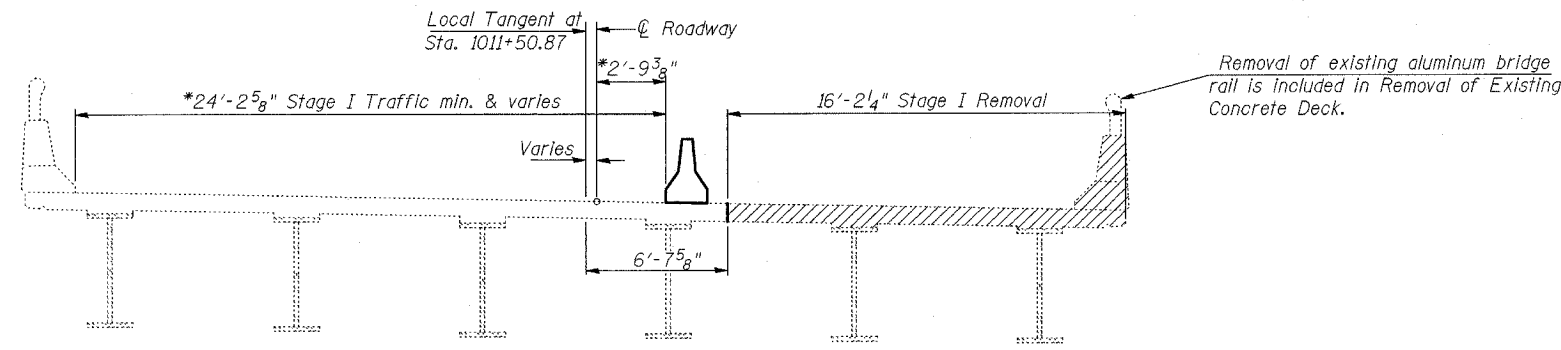


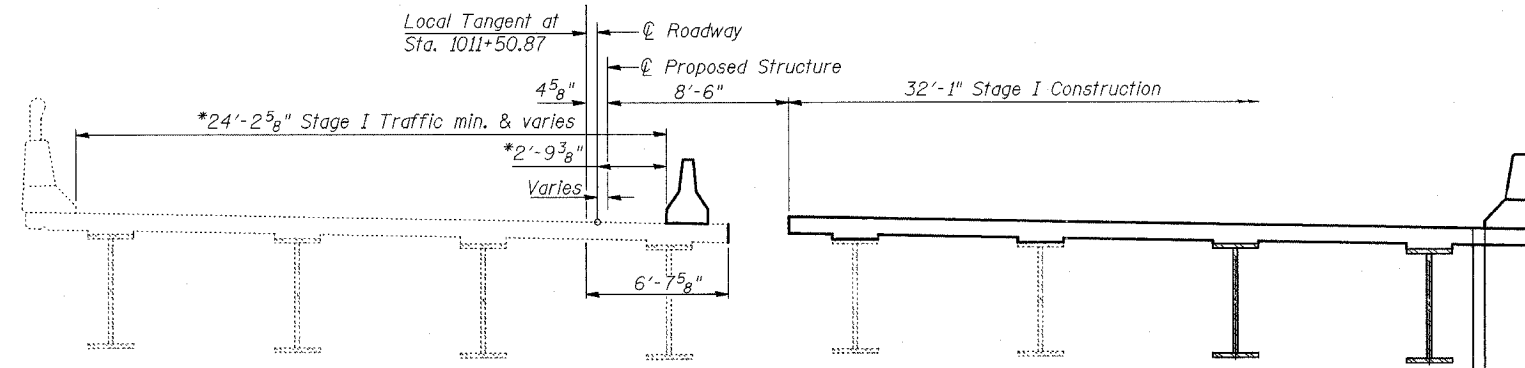
ROUTE NO.	SECTION	COUNTY	TOTAL SHEETS	SHEET NO.	SHEET NO. 3 29 SHEETS
F.A.P. RTE.	107BY	EFFINGHAM	273	229	
FED. ROAD DIST. NO.	7	ILLINOIS	FED. AID PROJECT-		

CONTRACT NO. 94827



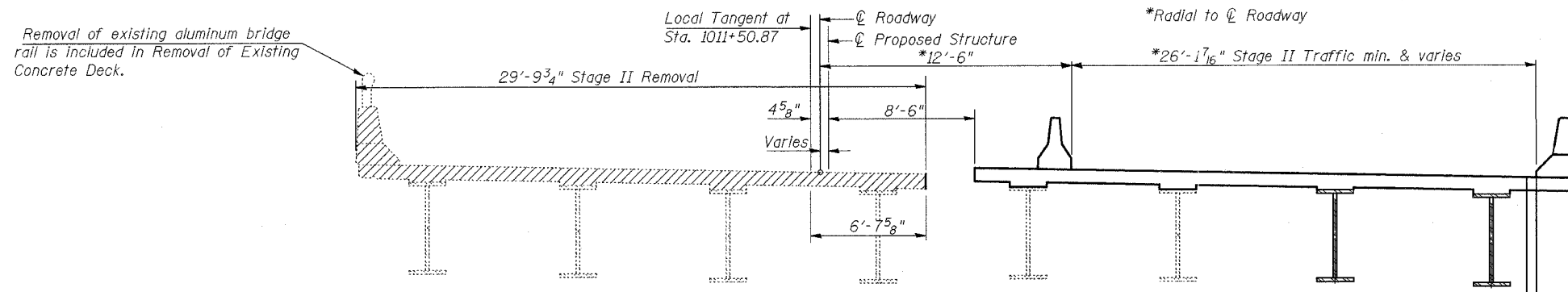
**STAGE I REMOVAL**

(Looking East) (Dim. at right angles except as noted)



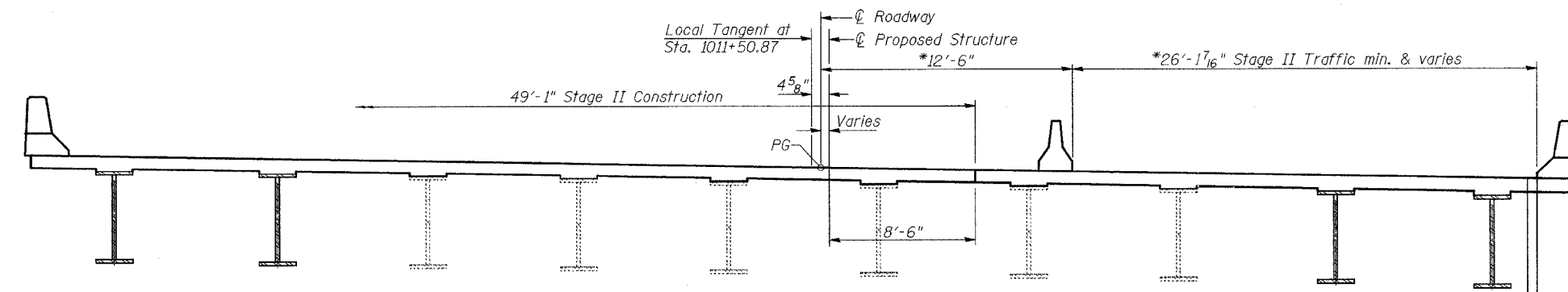
**STAGE I CONSTRUCTION**

(Looking East) (Dim. at right angles except as noted)



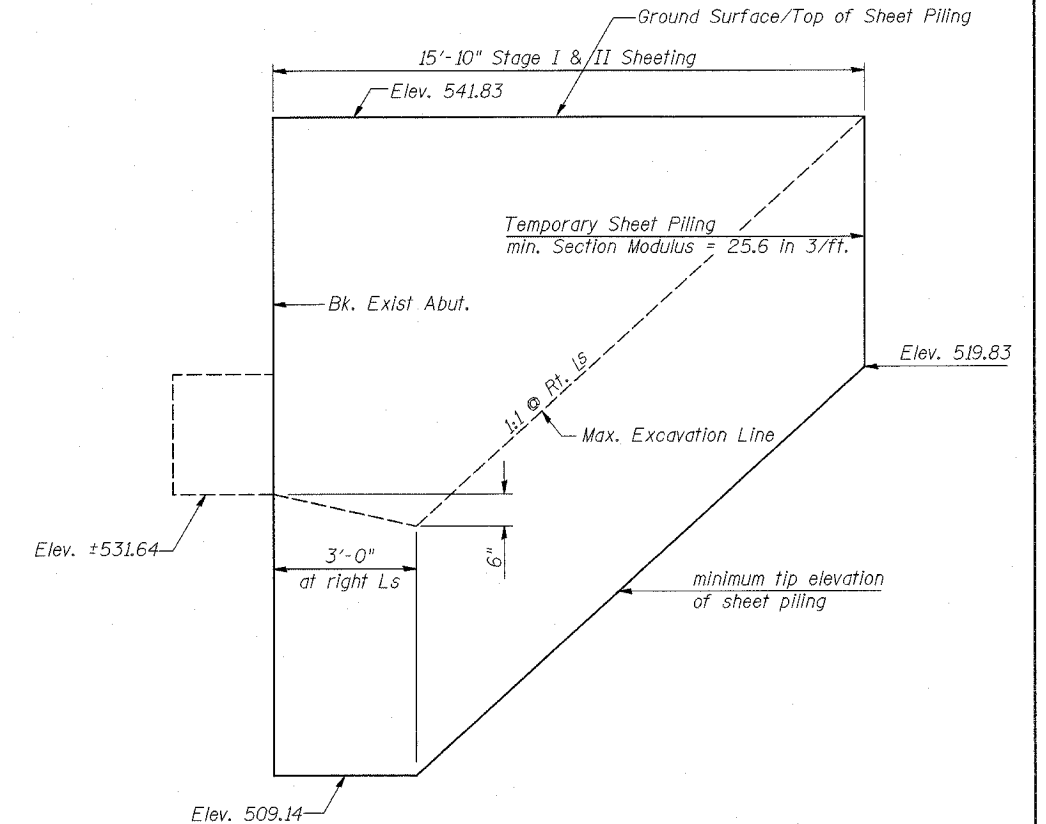
**STAGE II REMOVAL**

(Looking East) (Dim. at right angles except as noted)



**STAGE II CONSTRUCTION**

(Looking East) (Dim. at right angles except as noted)



**TEMPORARY SHEET PILE DETAIL**

If the Contractor chooses to alter the temporary cantilevered sheet piling design requirements shown on the plans, a design submittal including plan details and calculations will be required for review and acceptance by the Engineer.

**STAGE CONSTRUCTION SEQUENCE**

- ① Direct Stage I Traffic as shown.
- ② Drive Temporary Sheet Piling located behind each abutment and proceed with Stage I Removal.
- ③ Proceed with Stage I Construction.
- ④ Direct Stage II Traffic as shown.
- ⑤ Relocate Stage I Sheet Piling as necessary for Stage II Sheet Piling.
- ⑥ Proceed with Stage II Removal and Construction.

**NOTES**

Hatched areas indicate "Removal of Existing Concrete Deck". See Roadway Plans for quantity of Temporary Concrete Barrier.

The Shear Studs on existing girders will remain. It is the Contractor's responsibility to replace existing shear studs damaged during the removal of the existing Concrete deck. Cost included with Removal of Existing Concrete Deck.

SHEET TITLE		PROJECT NO.	
STAGED CONSTRUCTION DETAILS		02017	
PROJECT	IL RTE. 32/33 OVER LITTLE WABASH RIVER	SCALE	
	F.A.P. RTE. 774 SECTION 107BY	DATE	
	EFFINGHAM COUNTY	DRAWN BY	TFG
	STATION 1011+50.17	CHECKED BY	GJB/MCB
	STRUCTURE NO. 025-0078	DRAWING NO.	
<b>COOMBE-BLOXDORF P.C.</b>		3	
Engineers/Land Surveyors		OF 29 SHTS	
Springfield, Illinois			
Design Firm License No. 184-002708			

#FILE-0000014

SCALE: AS SHOWN UNLESS NOTED OTHERWISE