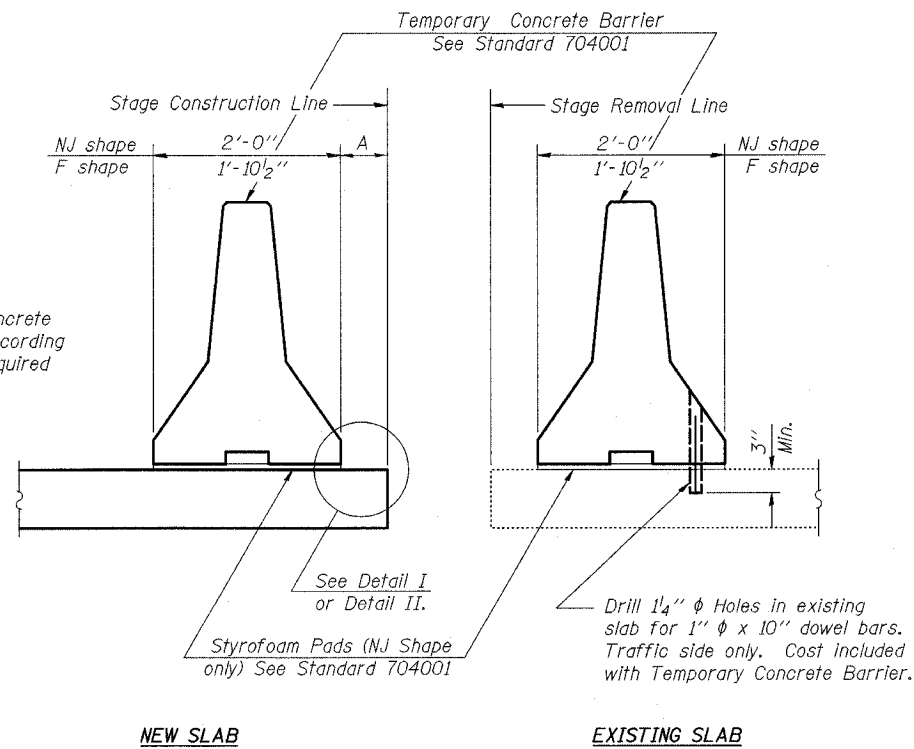


ROUTE NO.	SECTION	COUNTY	TOTAL SHEETS	SHEET NO.	SHEET NO. 4 29 SHEETS
F.A.P. RTE. 774	107BY	EFFINGHAM	273	230	
FED. ROAD DIST. NO. 7	ILLINOIS	FED. AID PROJECT-			

CONTRACT NO. 94827

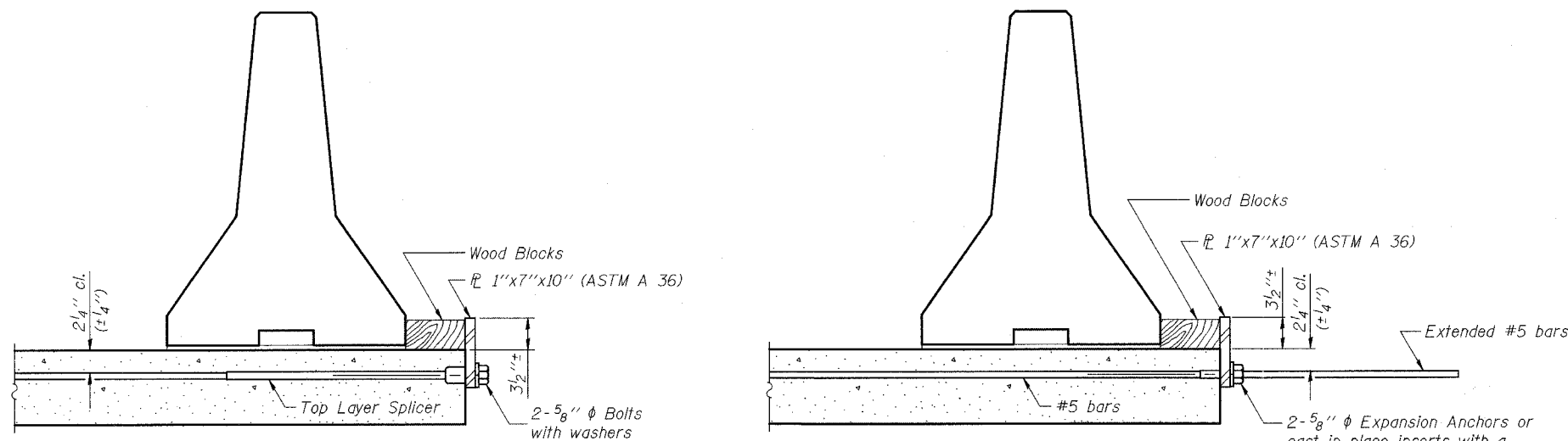


When "A" is 3'-6" or less, the temporary concrete barrier shall be anchored to the new slab according to Detail I or Detail II. No anchorage is required when "A" is greater than 3'-6".

NOTES

- Detail I - With Bar Splicer or Couplers:
Connect one (1) 1"x7"x10" steel \bar{P} to the top layer of couplers with 2-5/8" ϕ bolts screwed to coupler at approximate \bar{C} of each barrier panel.
- Detail II - With Extended Reinforcement Bars:
Connect one (1) 1"x7"x10" steel \bar{P} to the concrete slab with 2-5/8" ϕ Expansion Anchors or cast in place inserts spaced between the top layer of reinforcement at approximate \bar{C} of each barrier panel.
- Cost of anchorage is included with Temporary Concrete Barrier.

SECTIONS THRU SLAB

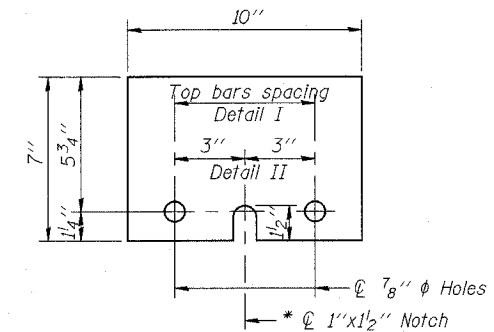


DETAIL I

The 1"x7"x10" Plate shall not be removed until Stage II Construction forms and reinforcement bars are in place.

DETAIL II

The 1"x7"x10" Plate shall not be removed until Stage II Construction forms and all reinforcement bars are in place and the concrete is ready to be placed.



1" x 7" x 10"

* Required only with Detail II

SHEET TITLE TEMPORARY CONCRETE BARRIER FOR STAGED CONSTRUCTION	
PROJECT IL RTE. 32/33 OVER LITTLE WABASH RIVER F.A.P. RTE. 774 SECTION 107BY EFFINGHAM COUNTY STATION 1011+50.17 STRUCTURE NO. 025-0078	PROJECT NO. 02017 SCALE DATE DRAWN BY TFG CHECKED BY GJB/MCB DRAWING NO.
COOMBE-BLOXDORF P.C. Engineers / Land Surveyors Springfield, Illinois Design Firm License No. 184-002703	4 OF 29 SHTS