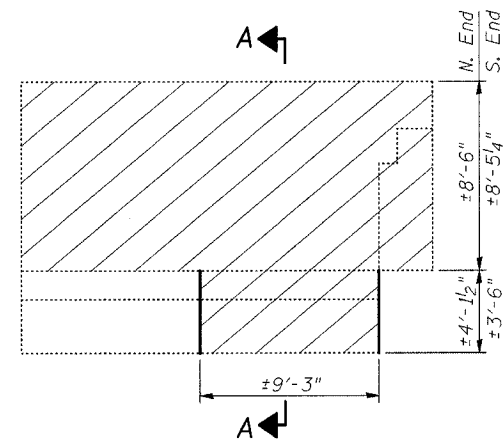
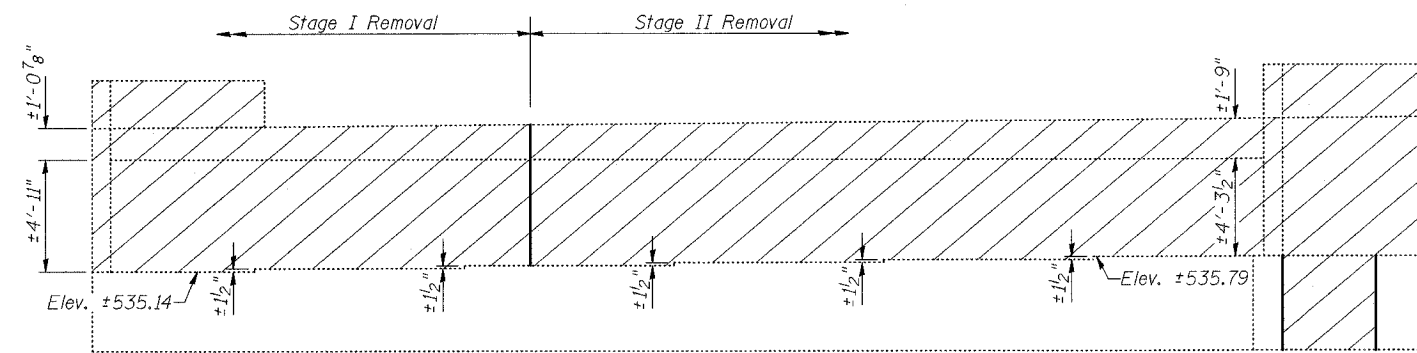


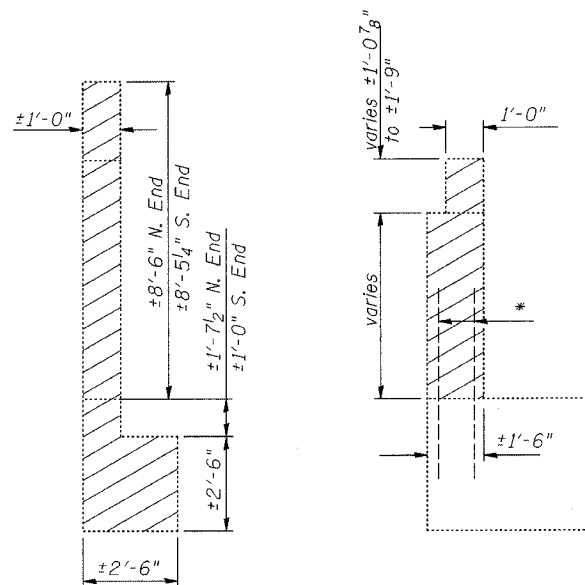
CONTRACT NO. 94827



**WING WALL ELEVATION**  
(South Wingwall Shown)

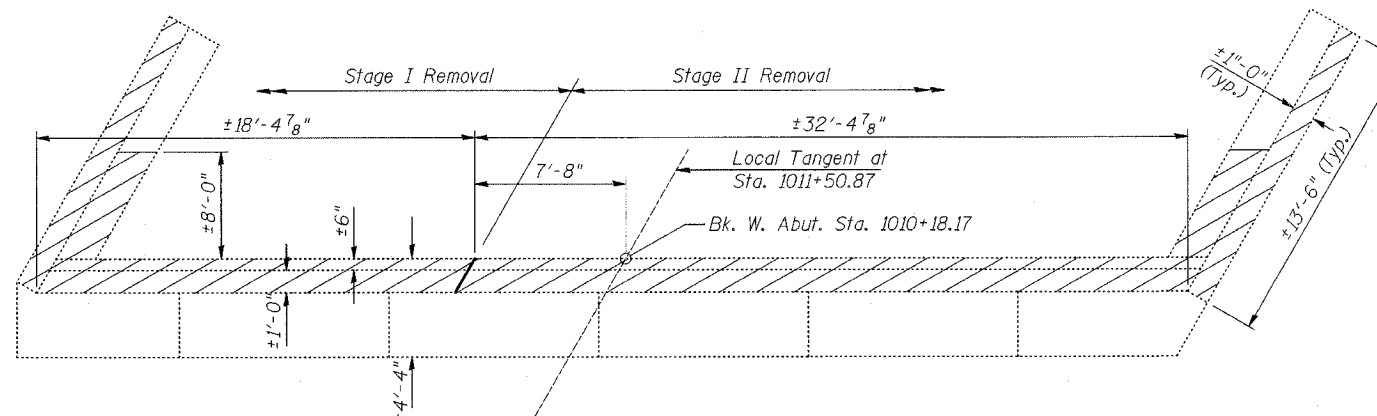


**ELEVATION**  
(Looking West)



**SEC. A-A**

**SEC. THRU ABUT.**



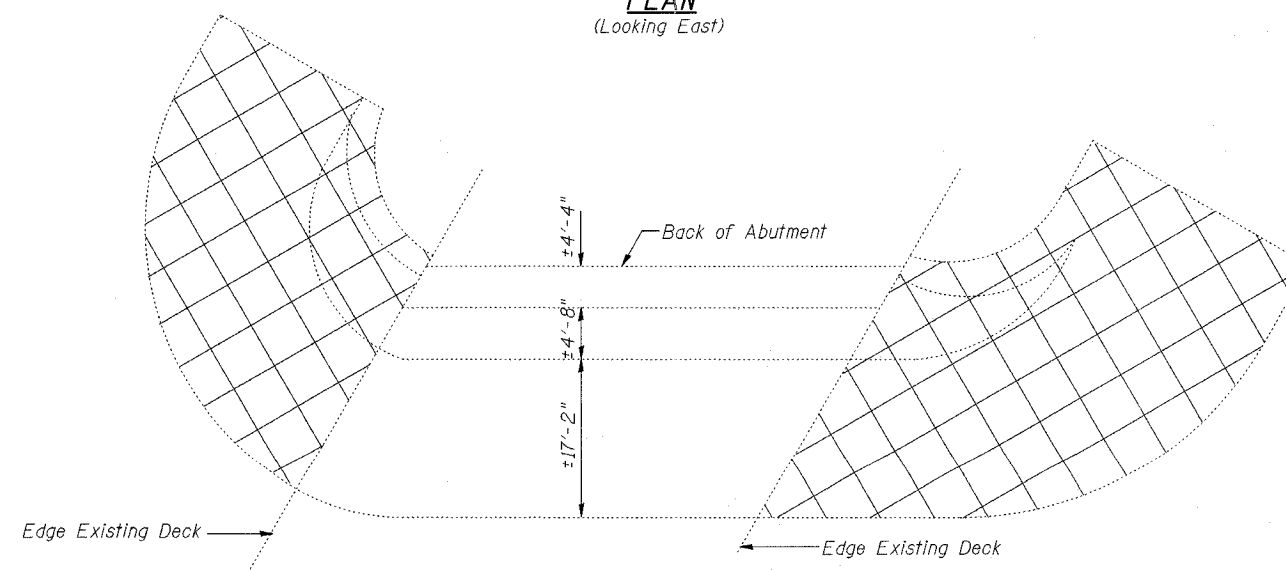
**PLAN**  
(Looking East)

**NOTES**

Hatched areas indicate Concrete Removal.  
Existing reinforcement not extending into areas of new construction shall be cut at the removal line and removed. Exposed portion will be covered with a layer of epoxy. Cost included with Concrete Removal.  
Existing reinforcement extending into the removal area are to be cleaned, straightened and incorporated into the new construction. All reinforcement bars that are damaged during concrete removal shall be replaced with an approved bar splicer or anchorage system. Cost included with Concrete Removal.  
Cross hatched areas indicate Slope wall Removal.

**BILL OF MATERIAL**

Item	Unit	Quantity
Concrete Removal	Cu. Yd.	29.3
Slope wall Removal	Sq. Yd.	321



**SLOPEWALL REMOVAL**

\* Existing v bars in abutment backwall shall be cut to fit proposed construction.

SHEET TITLE <b>WEST ABUTMENT CONCRETE REMOVAL</b>	
PROJECT IL RTE. 32/33 OVER LITTLE WABASH RIVER F.A.P. RTE. 774 SECTION 107BY EFFINGHAM COUNTY STATION 1011+50.17 STRUCTURE NO. 025-0078	PROJECT NO. 02017 SCALE DATE DRAWN BY TFG CHECKED BY GJB/MCB DRAWING NO.
<b>COOMBE-BLOXDORF P.C.</b> Engineers / Land Surveyors Springfield, Illinois Design Firm License No. 184-002708	
17 OF 29 SHTS	