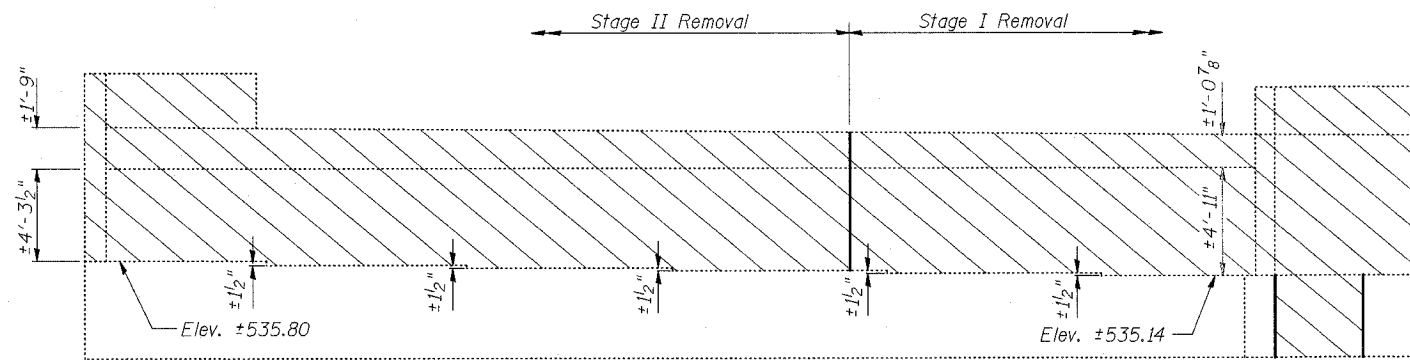
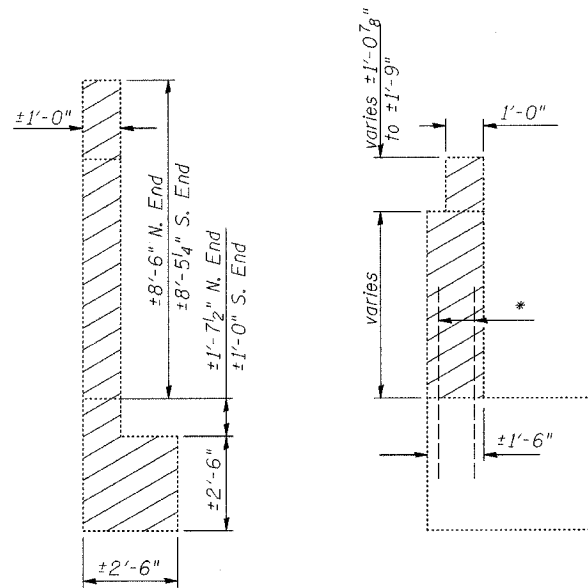


WING WALL ELEVATION
(North Wingwall Shown)

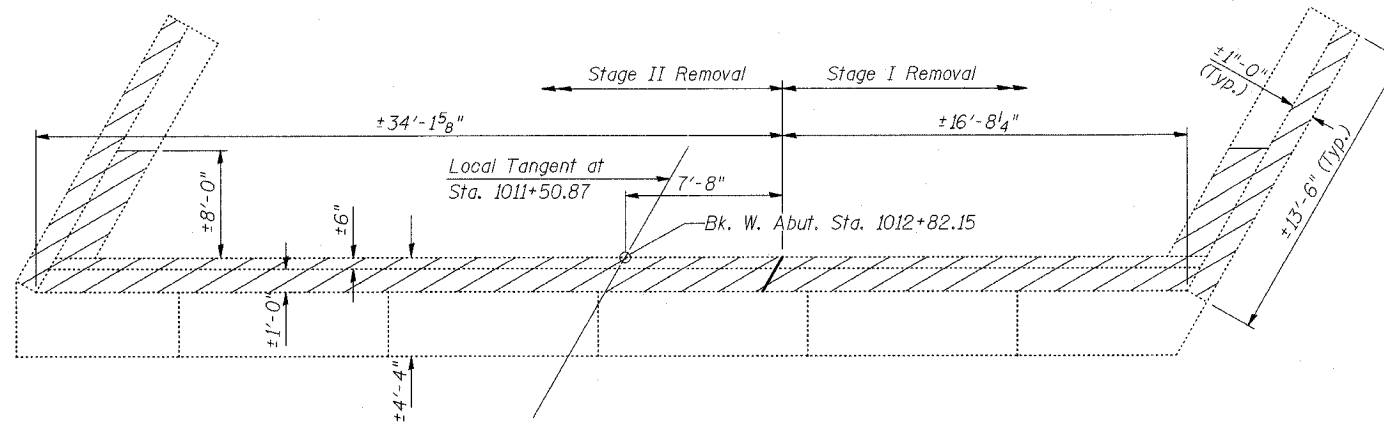


ELEVATION
(Looking East)



SEC. A-A

SEC. THRU ABUT.



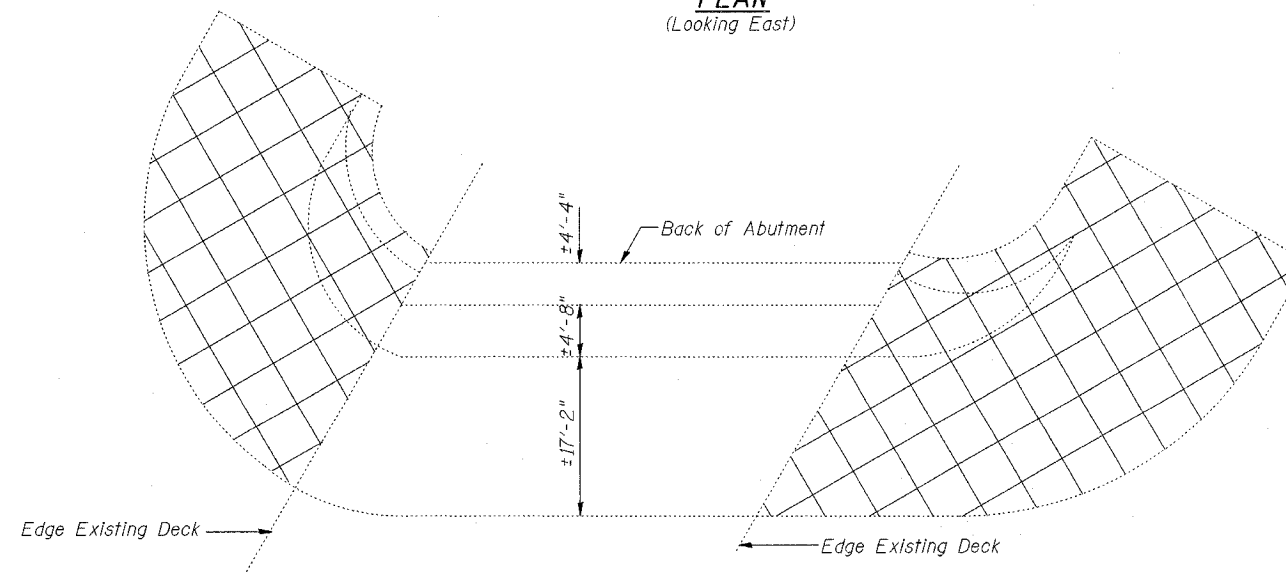
PLAN
(Looking East)

NOTES

Hatched areas indicate Concrete Removal.
Existing reinforcement not extending into areas of new construction shall be cut at the removal line and removed. Exposed portion will be covered with a layer of epoxy. Cost Included with Concrete Removal.
Existing reinforcement extending into the removal area are to be cleaned, straightened and incorporated into the new construction. All reinforcement bars that are damaged during concrete removal shall be replaced with an approved bar splicer or anchorage system. Cost included with Concrete Removal.
Cross hatched areas indicate Slopewall Removal.

BILL OF MATERIAL

Item	Unit	Quantity
Concrete Removal	Cu. Yd.	29.3
Slopewall Removal	Sq. Yd.	321



SLOPEWALL REMOVAL

* Existing v bars in abutment backwall shall be cut to fit proposed construction.

SHEET TITLE		EAST ABUTMENT CONCRETE REMOVAL	
PROJECT	IL RTE. 32/33 OVER LITTLE WABASH RIVER F.A.P. RTE. 774 SECTION 107BY EFFINGHAM COUNTY STATION 1011+50.17 STRUCTURE NO. 025-0078	PROJECT NO.	02017
SCALE		DATE	
DRAWN BY	TFG	CHECKED BY	GJB/MCB
DRAWING NO.			
COOMBE-BLOXDORF P.C. Engineers / Land Surveyors Springfield, Illinois Design Firm License No. 184-002703		20	OF 29 SHTS