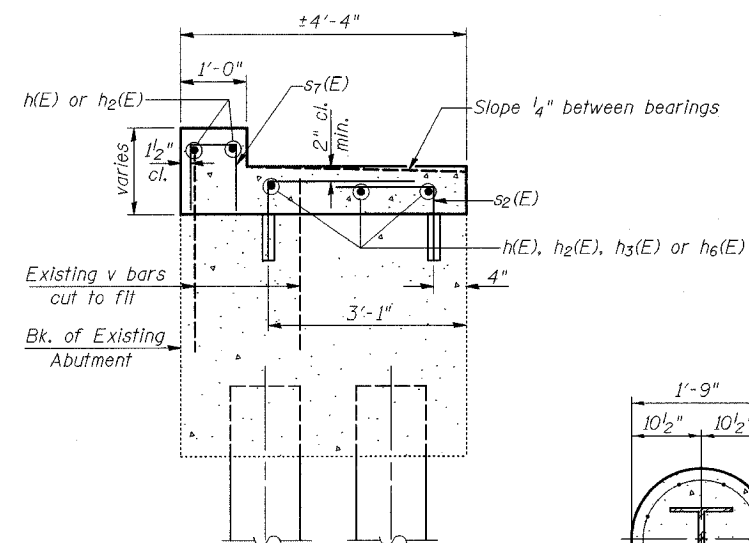


CONTRACT NO. 94827

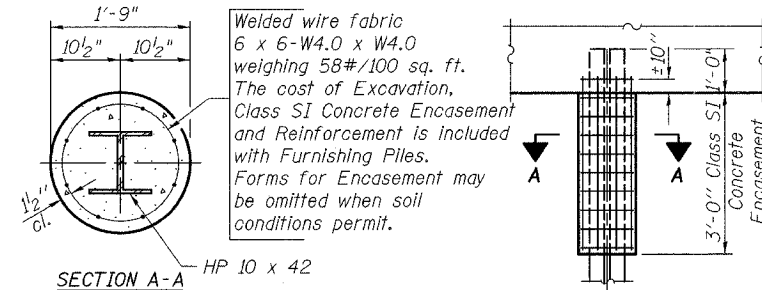
BILL OF MATERIAL

Bar	No.	Size	Length	Shape
h(E)	10	#5	19'-3"	
h ₂ (E)	10	#5	29'-0"	
h ₃ (E)	6	#5	19'-7"	
h ₄ (E)	3	#5	8'-10"	
h ₅ (E)	30	#5	12'-2"	
h ₆ (E)	3	#5	8'-9"	
h ₇ (E)	20	#5	9'-8"	
p ₁ (E)	2	#7	20'-0"	
p ₂ (E)	16	#7	5'-9"	
p ₄ (E)	3	#7	21'-3"	
p ₅ (E)	3	#7	18'-11"	
p ₆ (E)	8	#7	20'-7"	
s ₂ (E)	106	#4	3'-9"	
s ₃ (E)	36	#4	15'-1"	
s ₄ (E)	6	#4	16'-4"	
s ₅ (E)	39	#4	5'-8"	
s ₆ (E)	41	#5	6'-1"	
s ₇ (E)	53	#5	2'-5"	
u ₁ (E)	8	#6	9'-8"	
v ₁ (E)	10	#5	16'-10"	
v ₂ (E)	10	#5	14'-4"	
Structure Excavation		Cu. Yd.	183	
Concrete Structures		Cu. Yd.	46.9	
Reinforcement Bars Epoxy Coated		Lbs.	3790	
Furnishing Steel Piles HP10x42		Ft.	231	
Driving Steel Piles		Ft.	231	
Test Piles Steel HP10x42		Each	1	
Bar Splicers		Each	5	

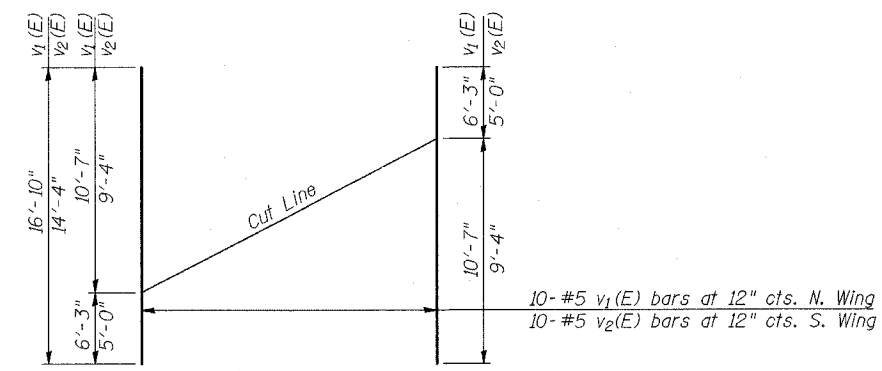
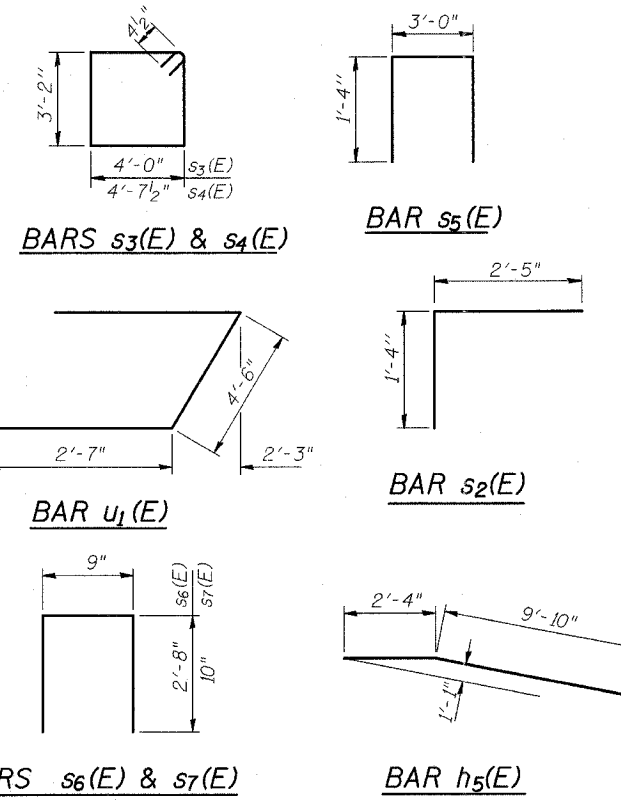
Reinforcement bars designated (E) shall be epoxy coated.



SECTION B-B

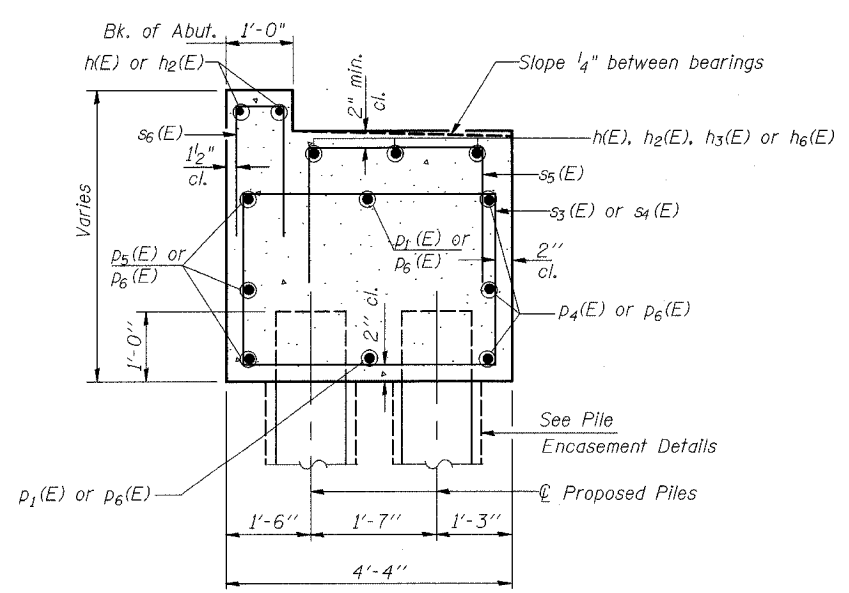


PILE ENCASEMENT DETAIL



FIELD CUTTING DIAGRAM

Order v₁(E) and v₂(E) bars full length. Cut as shown and use remainder of bars in opposite face.



SECTION A-A

Work this sheet with sheet 21 of 29.

SHEET TITLE		PROJECT NO.	
EAST ABUTMENT DETAILS		02017	
PROJECT		SCALE	
IL RTE. 32/33 OVER LITTLE WABASH RIVER F.A.P. RTE. 774 SECTION 107BY EFFINGHAM COUNTY STATION 1011+50.17 STRUCTURE NO. 025-0078		DATE	
DRAWN BY		CHECKED BY	
TFG		CJB/MCB	
DRAWING NO.		22	
COOMBE-BLOXDORF P.C. Engineers/Land Surveyors Springfield, Illinois Design Firm License No. 184-002703		OF 29 SHTS	