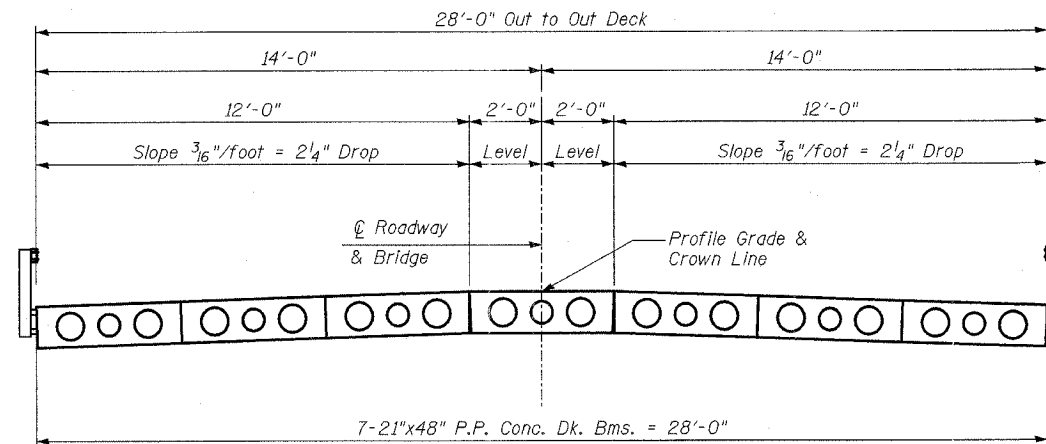


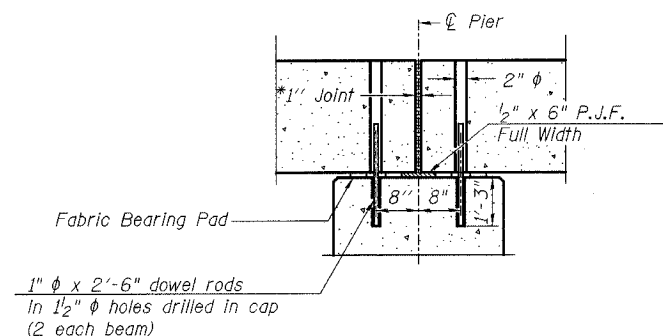
STATE OF ILLINOIS  
DEPARTMENT OF TRANSPORTATION

ROUTE NO.	SECTION	COUNTY	TEAM SHEETS	SHEET NO.	SHEET NO. 3 8 SHEETS
FAP 774	107B-2	EFFINGHAM	273	258	
FED. ROAD DIST. NO. 7	ILLINOIS	FED. AID PROJECT-			

CONTRACT NO. 94827

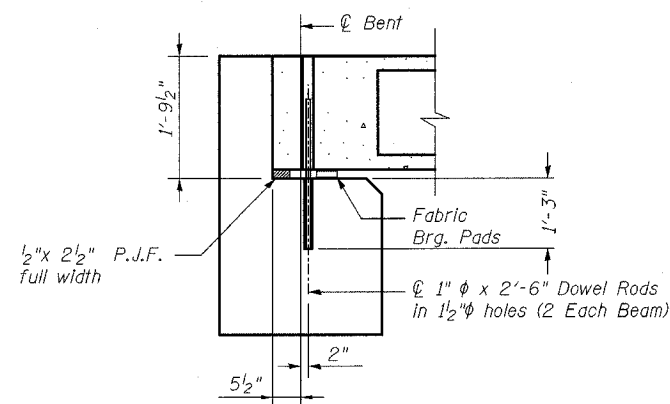


CROSS SECTION

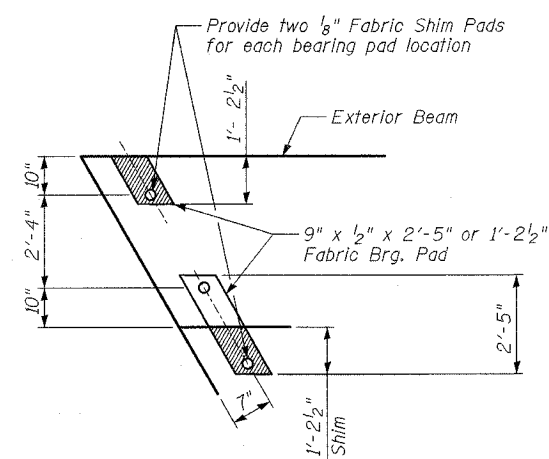


SECTION THRU PIER  
(Along ☉ beams)

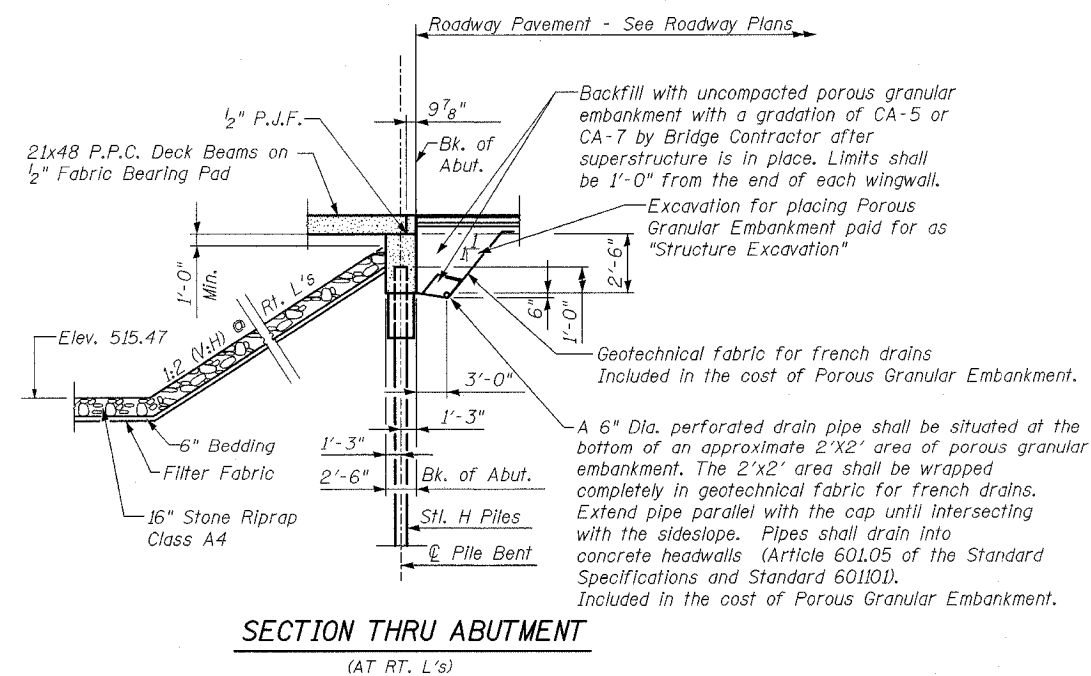
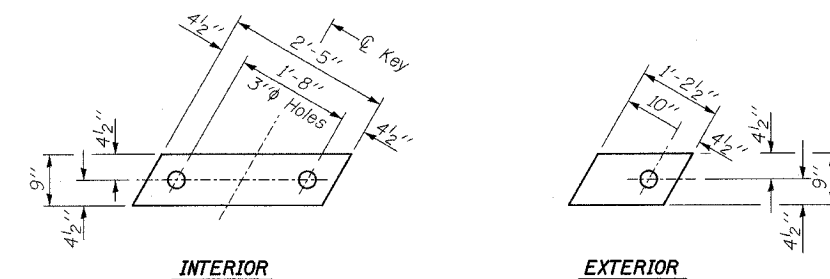
\* 1" Joint shall be packed with a very dry mix of 2:1 sand and P.C. mortar. 1" Dimension may vary plus or minus to accommodate tolerance in beam lengths.



SECTION AT ABUTMENTS  
(ALONG ☉ BEAMS)



1/2" FABRIC BEARING PAD DETAILS



SECTION THRU ABUTMENT  
(AT RT. L'S)

NOTES

- Nominal 1" joint at ☉ Pier may be filled with non-shrink grout in lieu of P.C. mortar mixture at contractor's option.
- Longitudinal keys shall be grouted.
- The bearing seat surfaces shall be adjusted by shimming to assure firm and even bearing. Two 1/8" fabric adjusting shims of the dimensions of the Exterior Bearing Pad shall be provided for each bearing.

DESIGNED	TMM
CHECKED	KCM
DRAWN	CAR
CHECKED	TMM

P.P.C. DECK BEAM SUPERSTRUCTURE  
DETAILS  
1200th STREET OVER GREEN CREEK  
FAP RTE. 774, SECTION 107B-2  
EFFINGHAM COUNTY  
STATION 204+33.91  
S.N. 025-3309