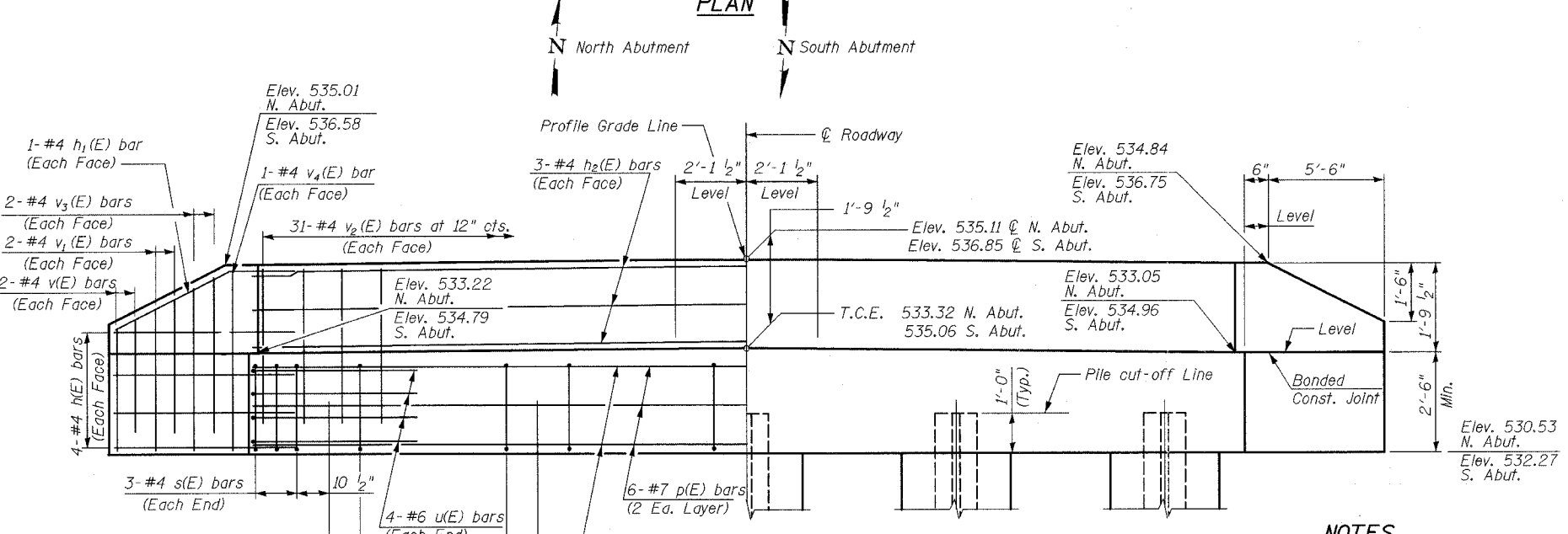
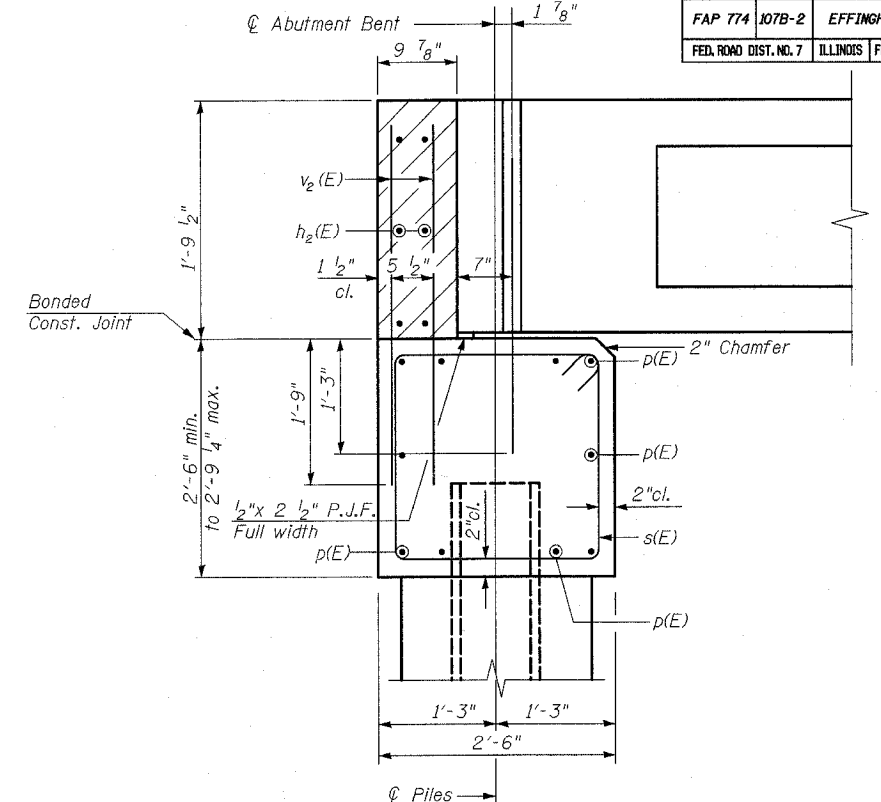
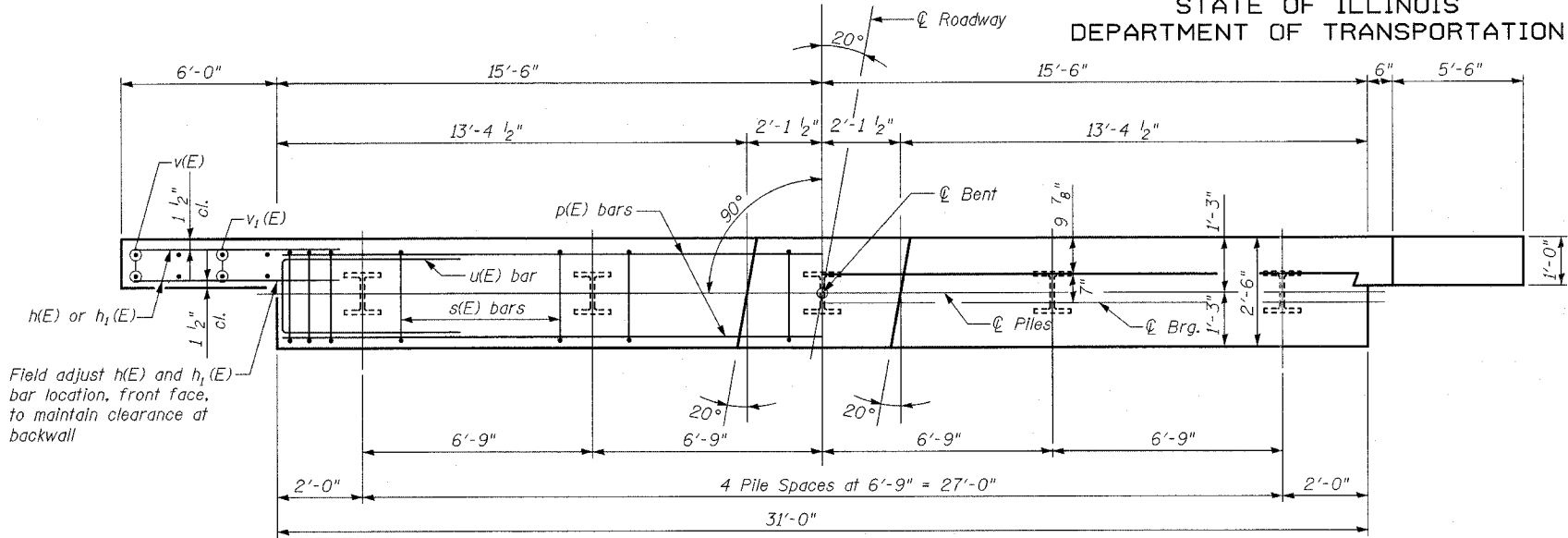


STATE OF ILLINOIS
DEPARTMENT OF TRANSPORTATION

ROUTE NO.	SECTION	COUNTY	DATE	SHEET	SHEET NO. 5
FAP 774	107B-2	EFFINGHAM	273	260	8 SHEETS
FED. ROAD DIST. NO. 7		ILLINOIS		FED. AID PROJECT-	

CONTRACT NO. 94827



- NOTES**
- The Backwall and the portion of the Wingwalls above the bonded construction joint shall be cast against the in-place beam.
 - Reinforcement bars shall conform to AASHTO M 31, M 42 or M 53, Grade 60.
 - Reinforcement bars designated (E) shall be epoxy coated.
 - Hatched area to be poured after beam is placed.

PILE DATA (2-ABUTMENTS)

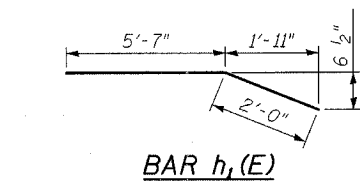
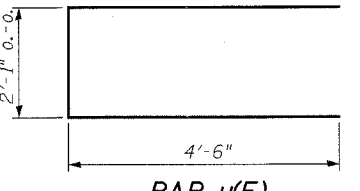
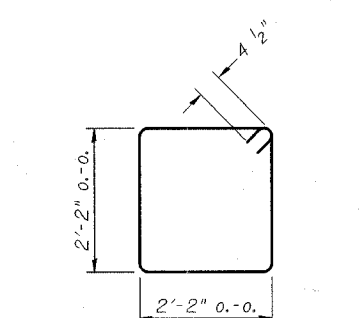
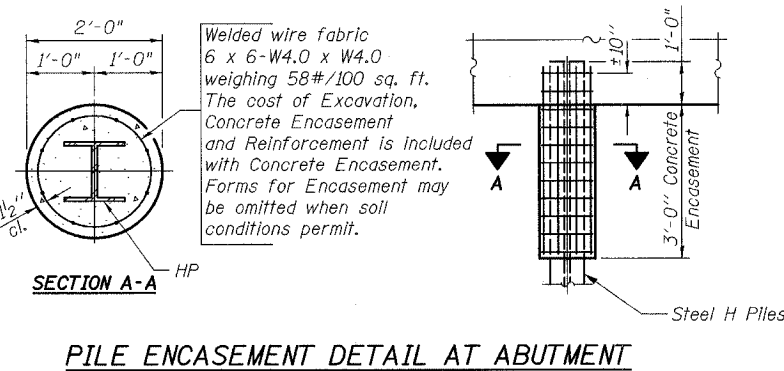
Type: HP12x53
Capacity: Driven to Refusal*
Estimated Length: 34 Feet
Number Required: 9
Test Pile: 1 In North Abutment

*Allows for 7 Tons of negative skin friction

DESIGN STRESSES

$f'_c = 3,500$ psi
 $f_y = 60,000$ psi

DESIGNED	TMM
CHECKED	KCM
DRAWN	CAR
CHECKED	TMM



BILL OF MATERIAL FOR ONE ABUTMENT

Bar	No.	Size	Length	Shape	
h(E)	16	#4	8'-0"	—	
h1(E)	4	#4	7'-7"	—	
h2(E)	6	#4	30'-8"	—	
p(E)	10	#7	30'-8"	—	
s(E)	30	#4	9'-5"	□	
u(E)	8	#6	11'-1"	—	
v(E)	8	#4	2'-7"	—	
v1(E)	8	#4	3'-0"	—	
v2(E)	62	#4	3'-5"	—	
v3(E)	8	#4	3'-6"	—	
v4(E)	4	#4	4'-0"	—	
Concrete Structures				Cu. Yd.	11.0
Reinforcement Bars, Epoxy Coated				Pound	1381
Furnishing Steel Piles HP12x53				Foot	153
Driving Steel Piles				Foot	153
*Test Pile Steel HP12x53				Each	1
Concrete Encasement				Cu. Yd.	1.75
Structure Excavation				Cu. Yd.	35.5
Porous Granular Embankment				Cu. Yd.	26.5

*At North Abutment only

PILE BENT ABUTMENT
1200th STREET OVER GREEN CREEK
FAP RTE. 774, SECTION 107B-2
EFFINGHAM COUNTY
STATION 204+33.91
S.N. 025-3309