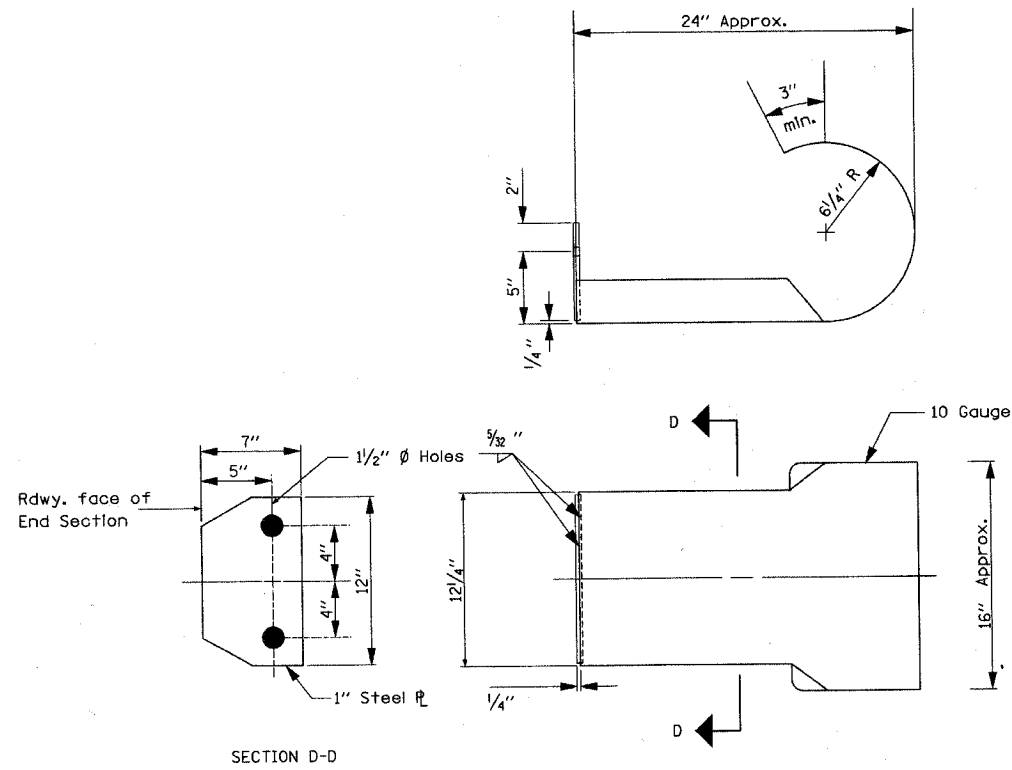
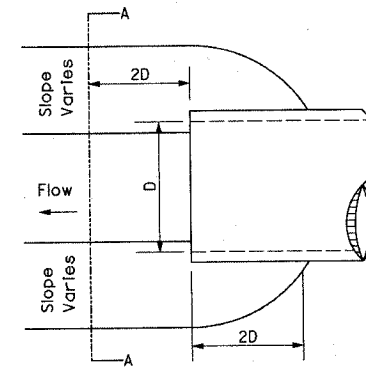


ROUTE	SECTION	COUNTY	TOTAL SHEETS	SHEET NO.
FA 882	91-00071-00-8R	WHITE	14	14
FED. ROAD DIST. NO. 7			ILLINOIS	FED. AID PROJECT
CONTRACT NO. 95083				

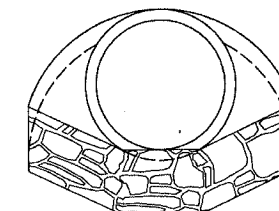
CURLED END SECTION DETAIL



STONE RIPRAP DITCH DESIGN

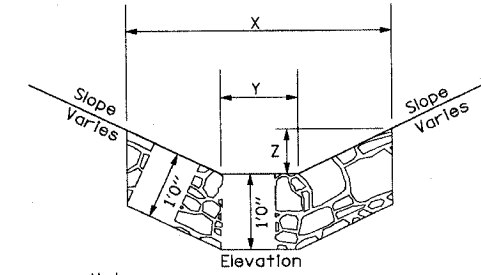


Plan



Section A-A

Note: For placement, quality gradation and other miscellaneous requirements for stone riprap ditch-see special provisions.



Elevation

Note:

Bottom of Ditch	Slope		
	1/2:1	2:1	3:1
2 ft.	X= 5 ft	6 ft	8 ft
	Y= 2 ft	2 ft	2 ft
	Z= 1 ft	1 ft	1 ft
	0.40	0.48	0.62 ton/lin. ft.

	1/2:1	2:1	3:1
3 ft.	X= 6 ft	7 ft	9 ft
	Y= 3 ft	3 ft	3 ft
	Z= 1 ft	1 ft	1 ft
	0.48	0.56	0.70 ton/lin. ft.

	1/2:1	2:1	3:1
4 ft.	X= 7 ft	8 ft	10 ft
	Y= 3 ft	3 ft	3 ft
	Z= 1 ft	1 ft	1 ft
	0.56	0.64	0.78 ton/lin. ft.