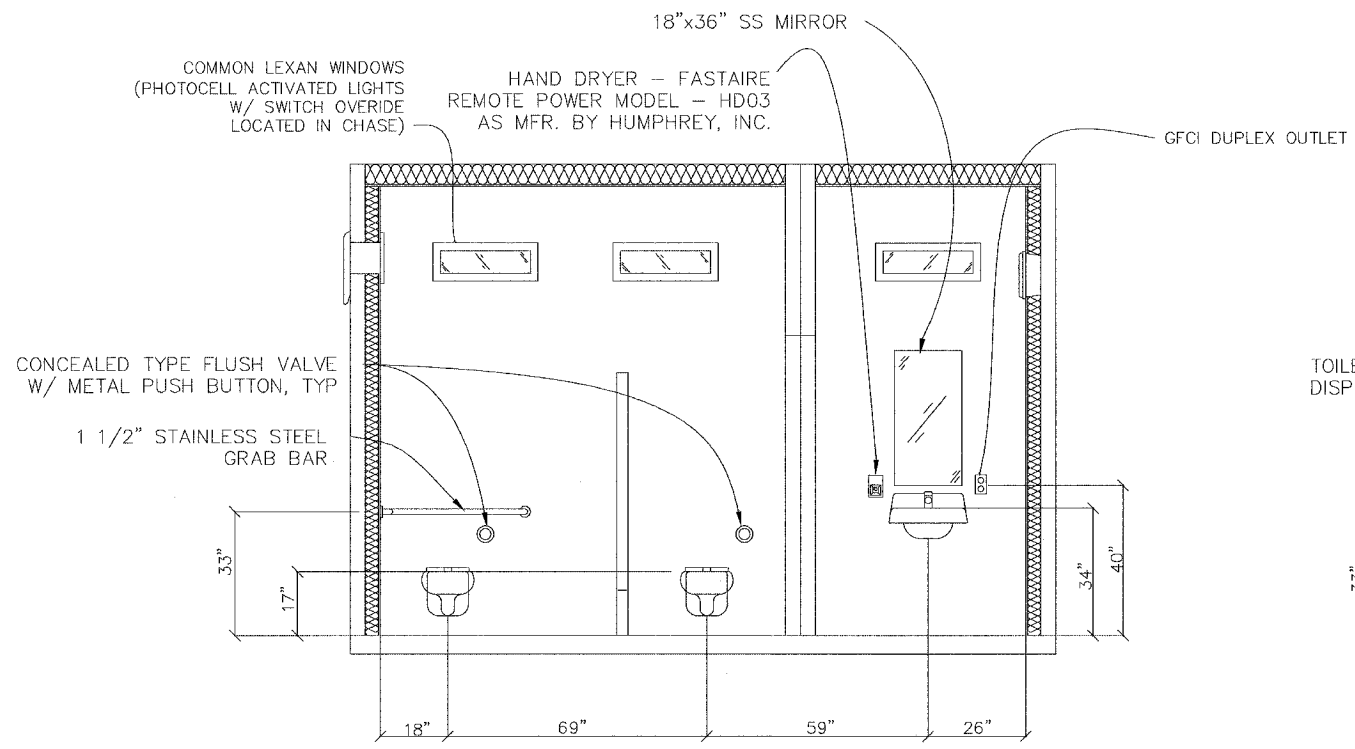
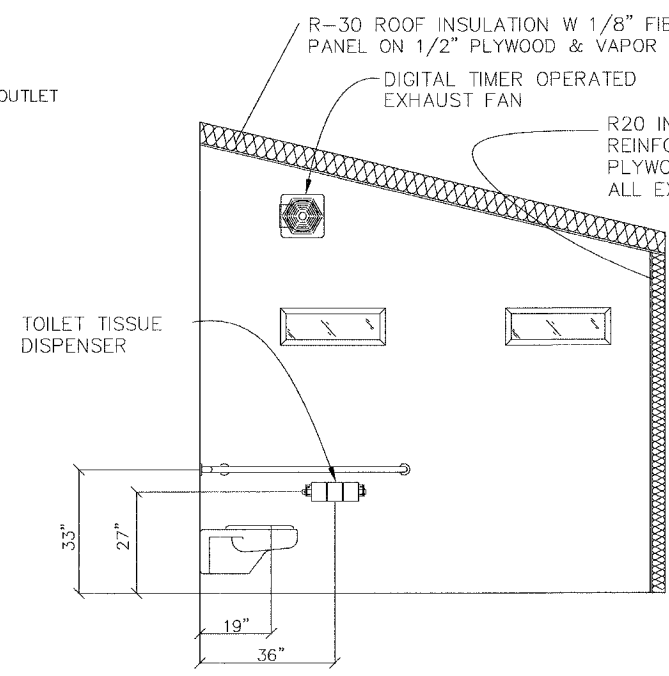


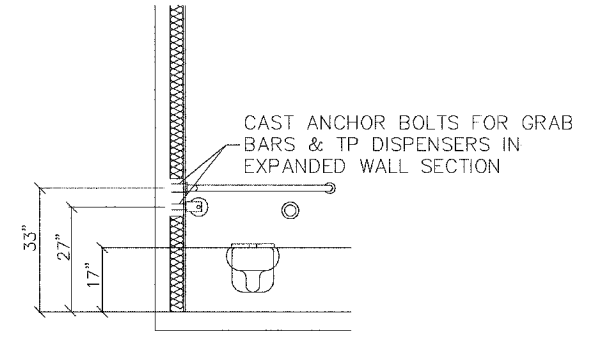
SECTION	COUNTY	TOTAL SHEETS	SHEET NO.
00-00010-01-HP	MADISON	12	6
CONTRACT NO. 97239		FEDERAL AID PROJECT	



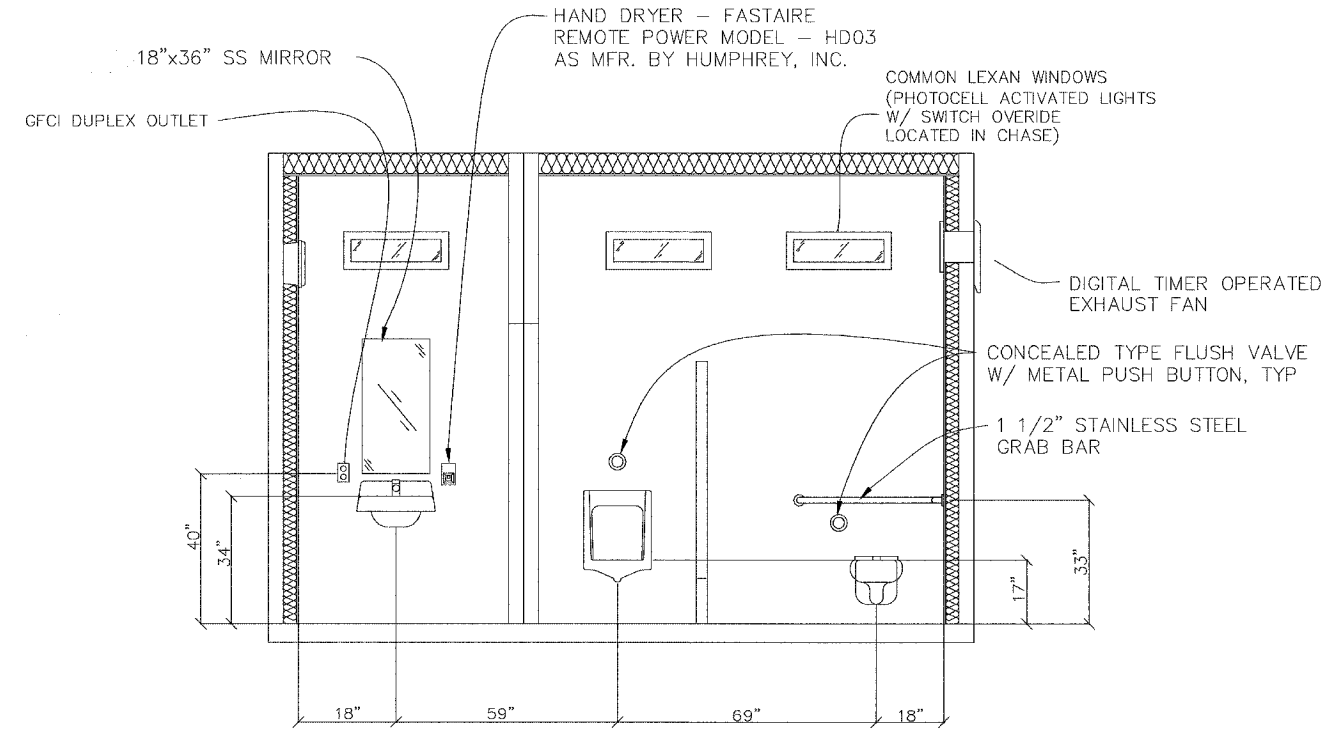
INTERIOR ELEVATION - WOMEN'S RESTROOM



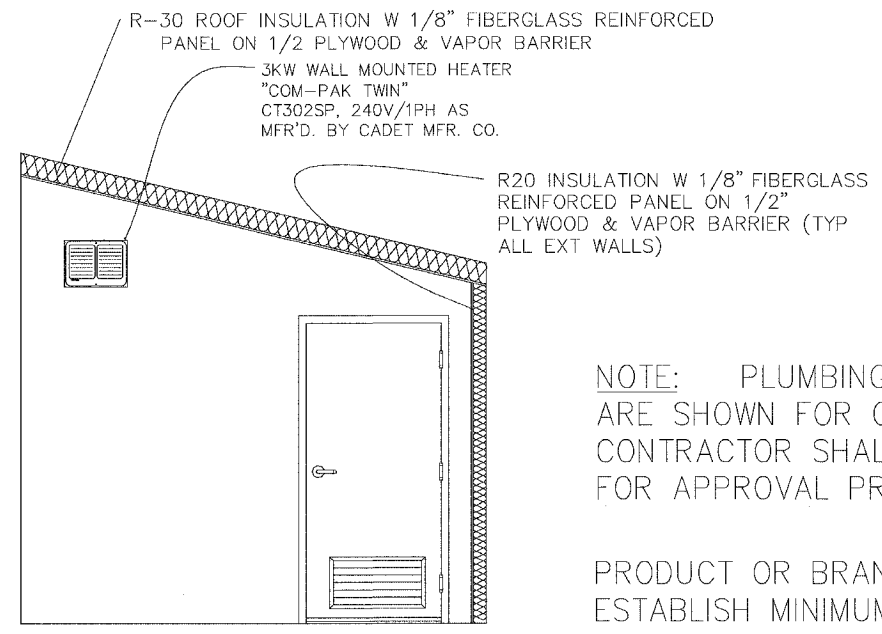
INTERIOR ELEVATION - MEN'S RESTROOM  
WOMENS OPPOSITE HAND



MOUNTING DETAIL



INTERIOR ELEVATION - MEN'S RESTROOM



INTERIOR ELEVATION - WOMEN'S RESTROOM  
MENS OPPOSITE HAND

NOTE: PLUMBING & ELECTRICAL COMPONENTS ARE SHOWN FOR GENERAL ARRANGEMENT ONLY. CONTRACTOR SHALL SUBMIT DETAILED PLANS FOR APPROVAL PRIOR TO ORDERING BUILDING.

PRODUCT OR BRAND NAMES ARE SHOWN TO ESTABLISH MINIMUM QUALITY REQUIREMENTS, PRODUCTS OR BRANDS OF EQUAL QUALITY ARE ACCEPTABLE.

REVISIONS		ILLINOIS DEPARTMENT OF TRANSPORTATION
NAME	DATE	
		CLIFTON TERRACE PARK COMFORT STATION INTERIOR ELEVATIONS
SCALE: VERT. 1/2" = 1'-0"		DRAWN BY DWH
HORIZ. 1/4" = 1'-0"		
DATE FEBRUARY 9, 2005		CHECKED BY DWH