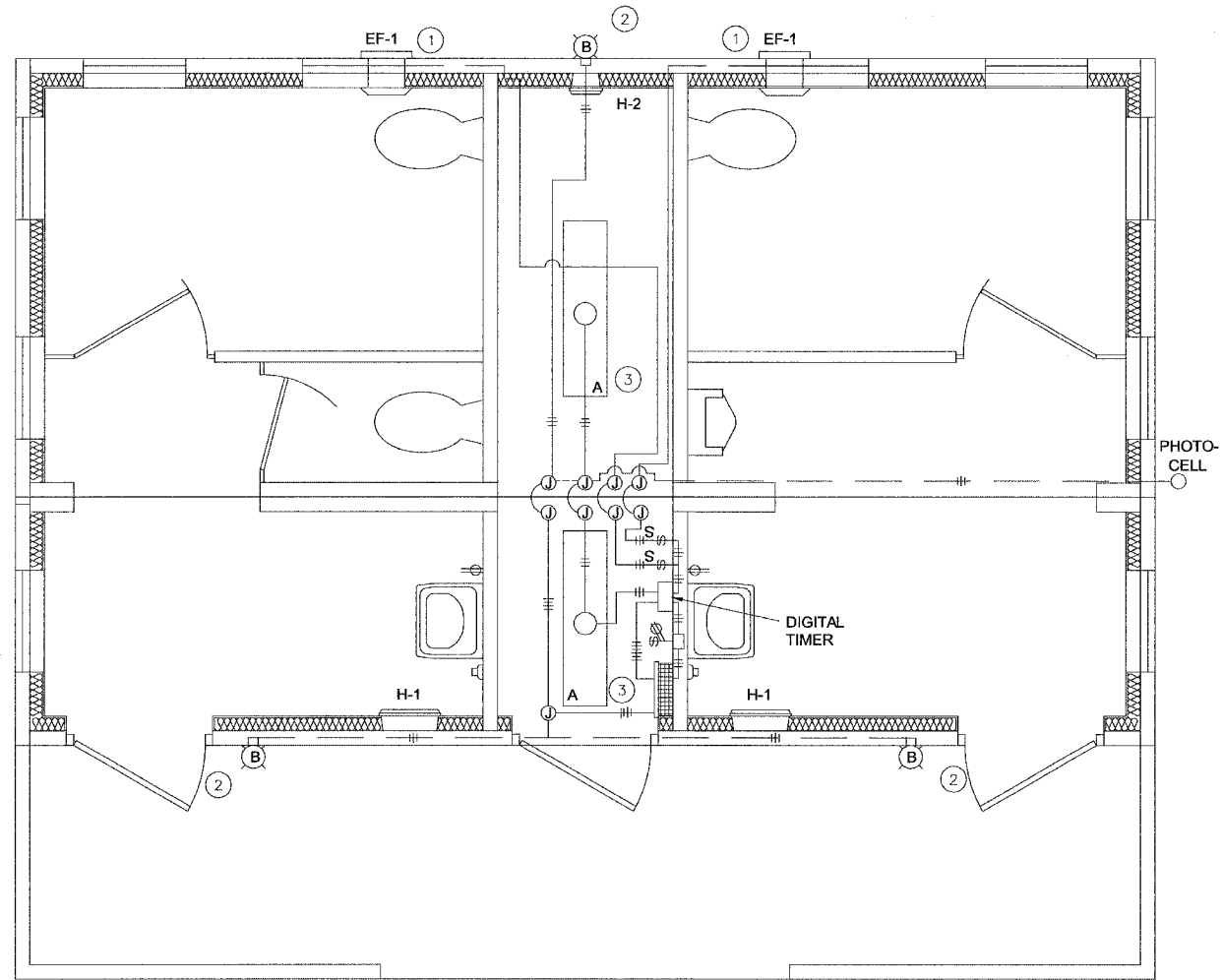
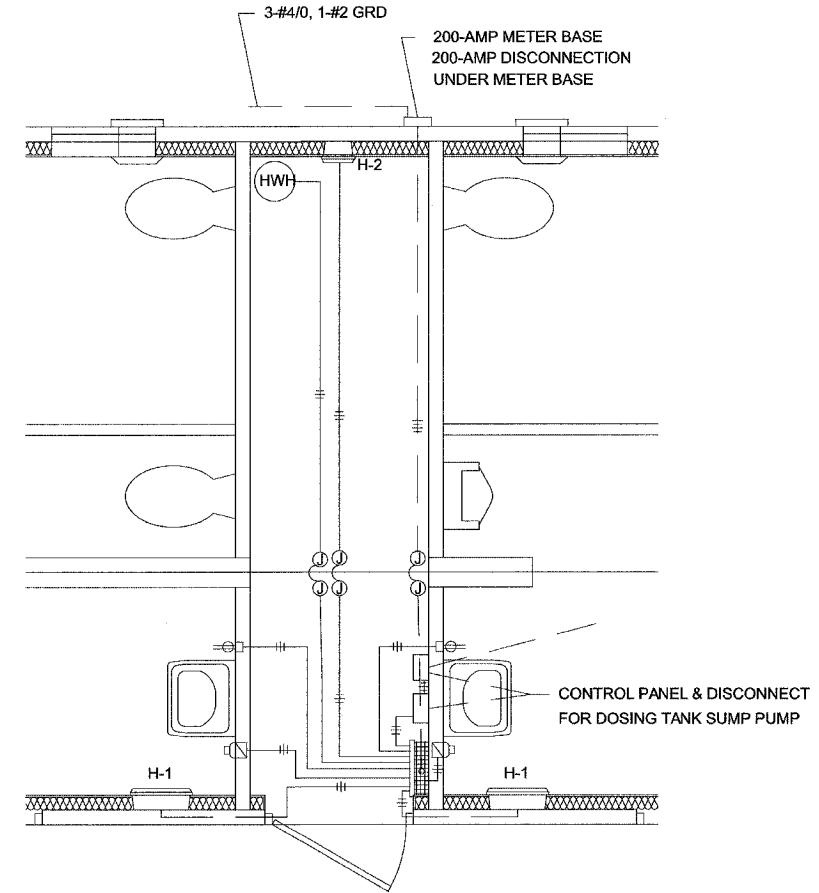


SECTION	COUNTY	TOTAL SHEETS	SHEET NO.
00-00010-01-HP	MADISON	12	12
CONTRACT NO. 97239		FEDERAL AID PROJECT	



LIGHTING PLAN



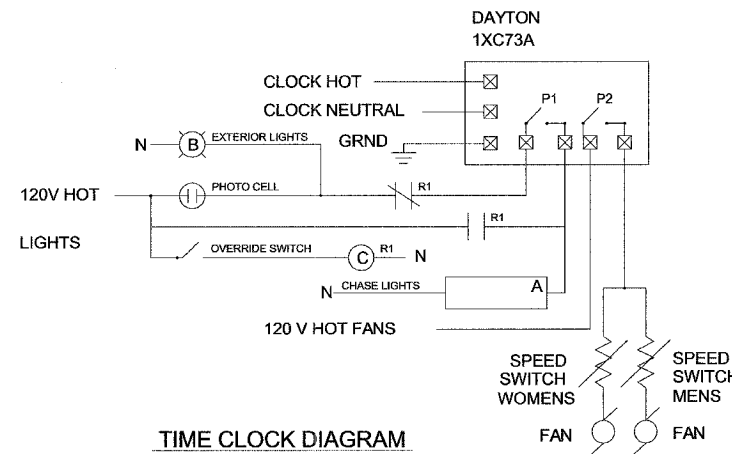
HEATER & RECEPTACLE PLAN

ELECTRICAL - KEY NOTES

- ① CIRCUIT AS NEEDED FOR THE LOAD OF THE EXHAUST FAN. WIRE THROUGH SPEED SWITCH AND TIMER IN CHASE.
- ② LIGHT FIXTURE TO BE CONTROLLED BY PHOTOCELL LOCATED APART FROM FIXTURE. ROUTE WIRING IN CONCEALED CONDUIT.
- ③ RESTROOM CHASE LIGHTS ARE TO OPERATE BY PHOTO CELL WITH SWITCH OVERRIDE.
- ④ PROVIDE DAYTON TIME SWITCH MODEL 1XC73A TO CONTROL FANS.

SYMBOLS

- (B) WALL MOUNTED LIGHTING FIXTURE
- (A) CEILING MOUNTED LIGHTING FIXTURE
- (S) COMBINATION SWITCH & DUPLEX
- (S) SPEED SWITCH
- (S) LOAD CENTER
- (J) JUNCTION BOX AT HAND DRYER MOTOR.
- (J) JUNCTION BOX
- (---) CONCEALED CONDUIT
- (---) SURFACE MOUNTED CONDUIT
- (---) NUMBER OF WIRES INDICATED BY CROSS TICKS. (ONE TICK REPRESENTS GROUND)



TIME CLOCK DIAGRAM

NOTE: ELECTRICAL COMPONENTS ARE SHOWN FOR GENERAL ARRANGEMENT ONLY. CONTRACTOR SHALL SUBMIT DETAILED PLANS FOR APPROVAL PRIOR TO ORDERING BUILDING.

PRODUCT OR BRAND NAMES ARE SHOWN TO ESTABLISH MINIMUM QUALITY REQUIREMENTS, PRODUCTS OR BRANDS OF EQUAL QUALITY ARE ACCEPTABLE.

REVISIONS		ILLINOIS DEPARTMENT OF TRANSPORTATION
NAME	DATE	
		CLIFTON TERRACE PARK COMFORT STATION ELECTRICAL PLAN
SCALE: VERT. 1/2" = 1'-0"		DRAWN BY DWH
HORIZ. 1/2" = 1'-0"		
DATE FEBRUARY 9, 2005		CHECKED BY DWH