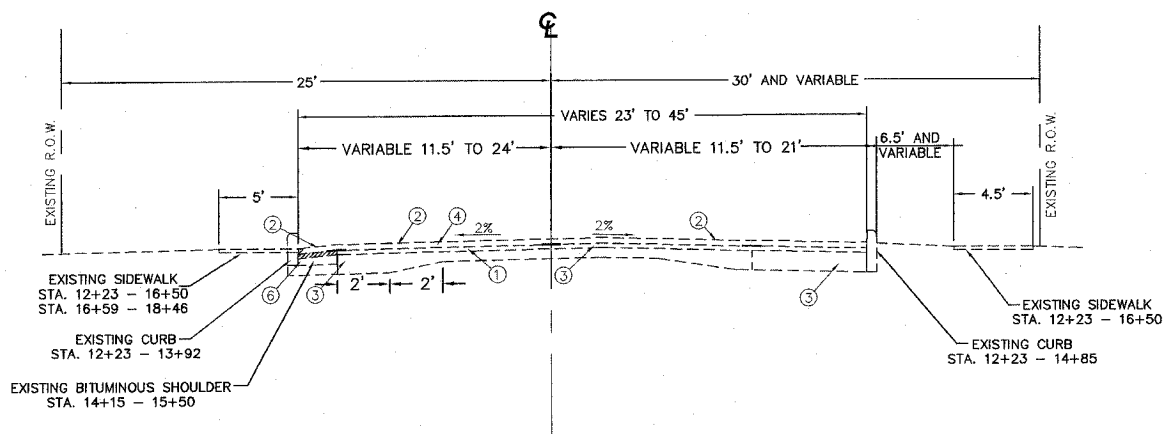


REVISIONS

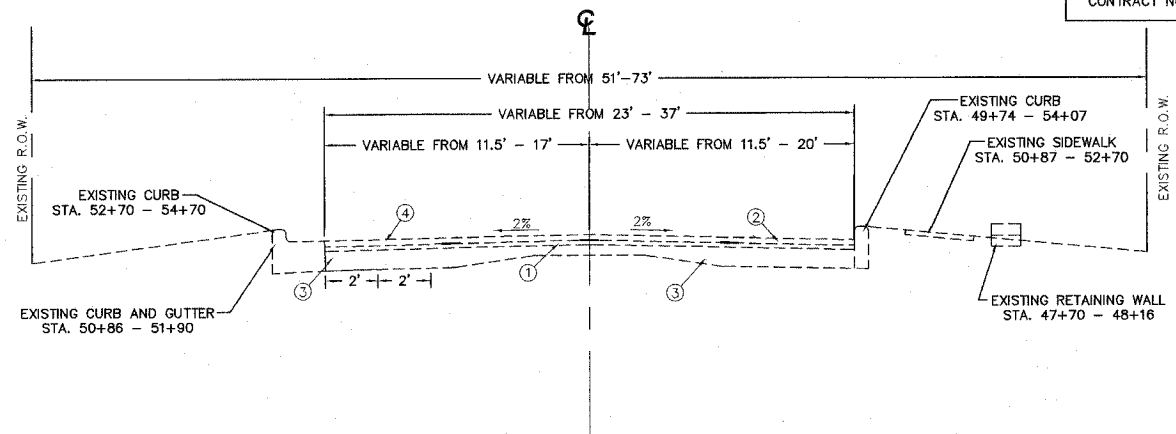
SMS ENGINEERS
 Sheppard, Morgan & Schwab, Inc.
 CONSULTING ENGINEERS AND LAND SURVEYORS
 215 Market Street, P.O. Box E, Alton, IL 62002 • 618462-9755 • Email: mail@smsengineers.com
 10 Central Industrial Drive, Granite City, IL 62040 • 618877-9700 • E-mail: mail@smsengineers.com

WOOD RIVER, ILLINOIS
 RESURFACING PROJECT
 EDWARDSVILLE ROAD (FAU 8980)
 SECTION 02-00043-00-RS
 TYPICAL SECTIONS

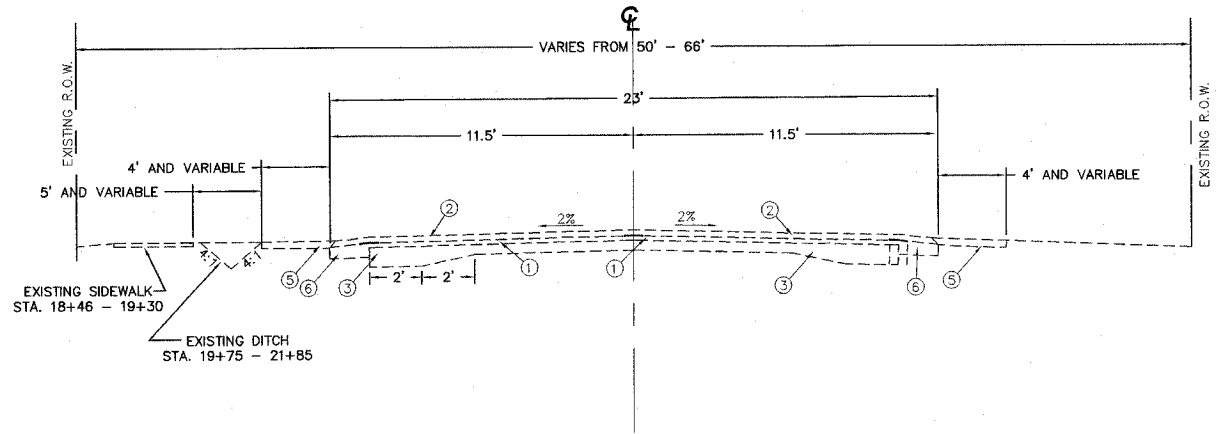
TYPICAL SECTIONS.DWG	PG.
REF. BK.	285879
JOB NO.	CL
DSN. BY:	CDP
DWN. BY:	JHH
CHK. BY:	
DATE:	FEBRUARY, 2005
SCALE:	NONE
SHEET	3 OF 18



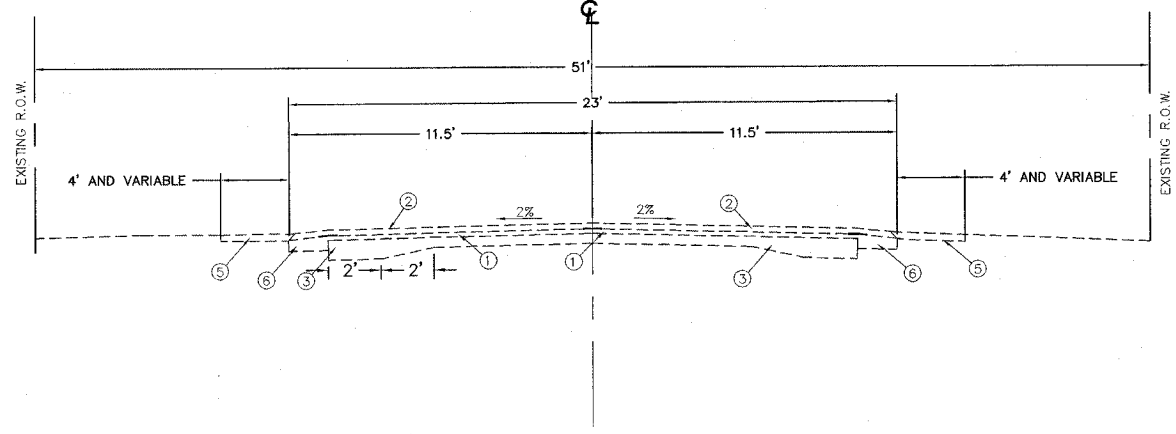
EXISTING TYPICAL SECTION
 STA. 12+23.01 - 18+46
 N.T.S.



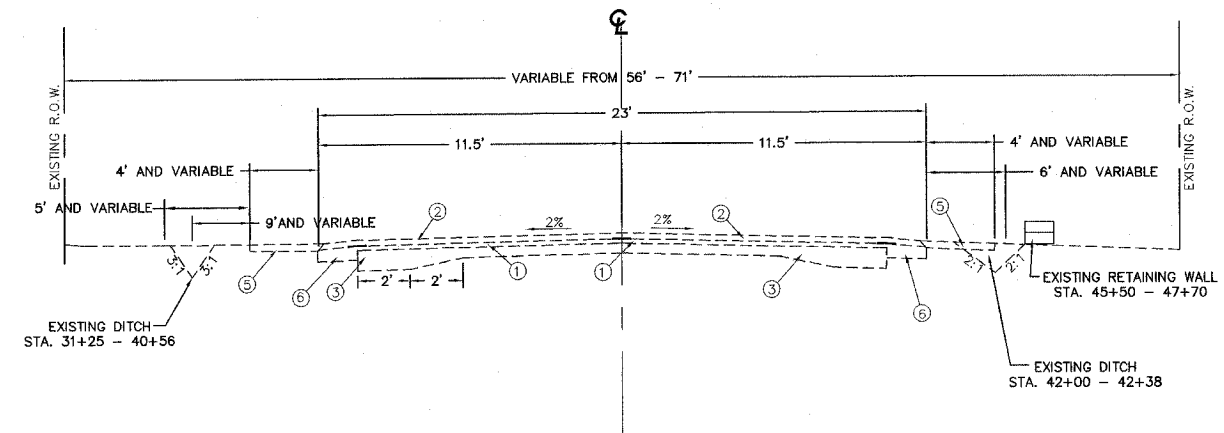
EXISTING TYPICAL SECTION
 STA. 47+93 - 56+31
 N.T.S.



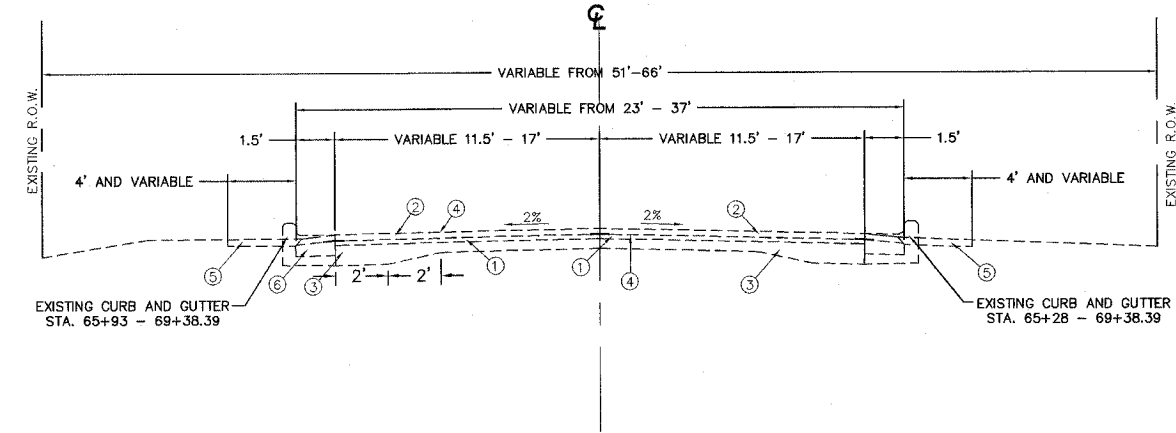
EXISTING TYPICAL SECTION
 STA. 18+46 - 31+00
 N.T.S.



EXISTING TYPICAL SECTION
 STA. 56+31 - 61+70
 N.T.S.



EXISTING TYPICAL SECTION
 STA. 31+00 - 47+93
 N.T.S.



EXISTING TYPICAL SECTION
 STA. 61+70 - 69+38.39
 N.T.S.

LEGEND

- ① EXISTING 1 1/2" BITUMINOUS CONCRETE BINDER COURSE
- ② EXISTING 8" OPEN GRADED PLANT MIX SURFACE COURSE
- ③ EXISTING PCC PAVEMENT (9"-7 3/8"-9")
- ④ EXISTING BITUMINOUS SURFACE COURSE 1 1/2"
- ⑤ EXISTING BITUMINOUS SHOULDER
- ⑥ EXISTING BITUMINOUS WIDENING 7 1/2"