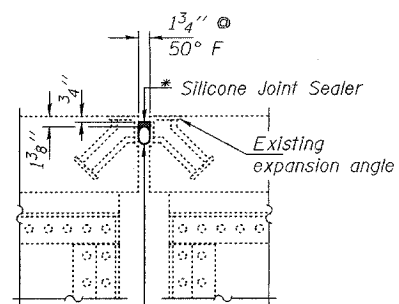


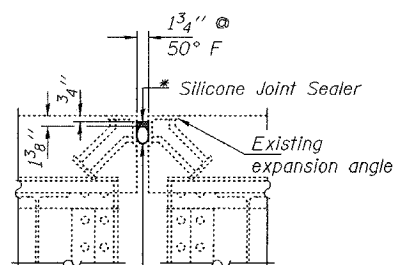
STATE OF ILLINOIS
DEPARTMENT OF TRANSPORTATION

| | | | | | |
|-----------------------|----------|-------------------|--------------|-----------|-------------|
| ROUTE NO. | SECTION | COUNTY | TOTAL SHEETS | SHEET NO. | SHEET NO. 5 |
| FAS 944 | * | ALEXANDER | | 8 | 13 SHEETS |
| FED. ROAD DIST. NO. 7 | ILLINOIS | FED. AID PROJECT- | | | |

* (138D-BR)1-5 Contract No. 98640



Backer Rod having a diameter 25% greater than the joint opening at the time of installation.



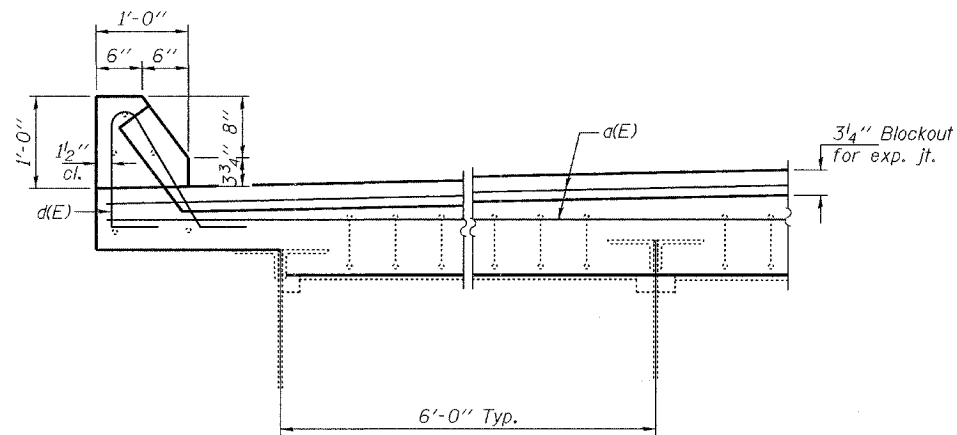
Backer Rod having a diameter 25% greater than the joint opening at the time of installation.

SECTION AT PIERS 19N & 20N
& PIERS 18S THRU 12S

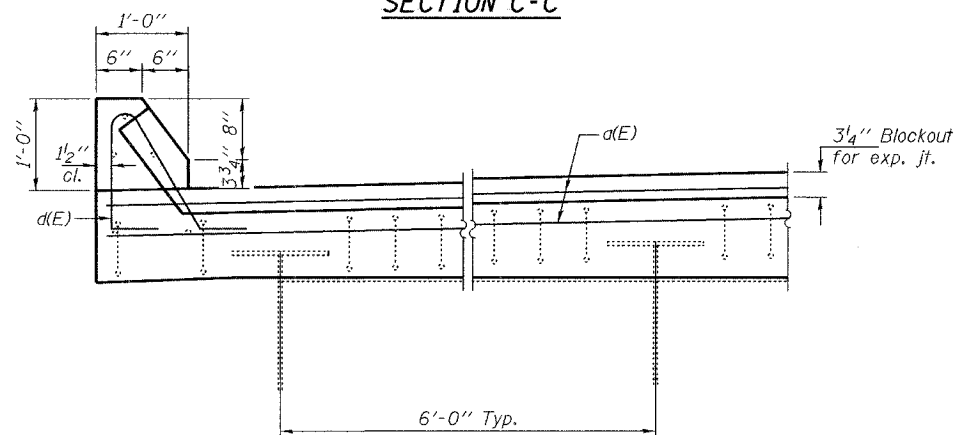
REPAIR 1

SECTION AT PIERS 18N THRU 18S

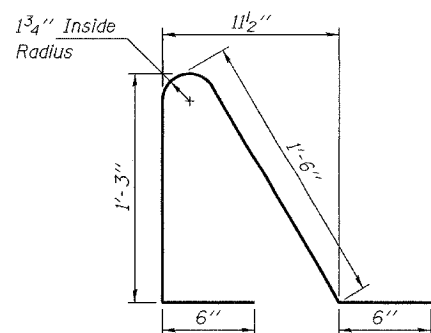
* Remove existing PJS, & replace with Silicone Joint Sealer as shown.



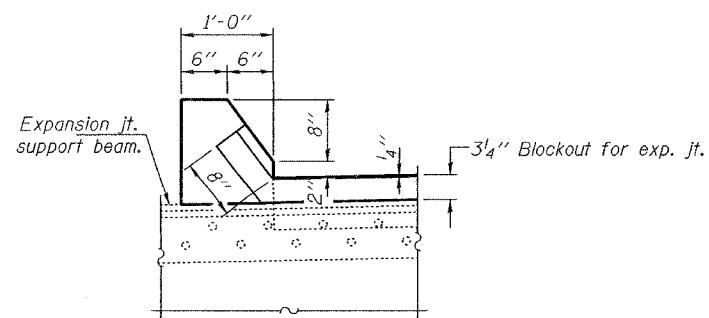
SECTION C-C



SECTION D-D



BAR d(E)



SECTION E-E

| | |
|----------|---------|
| DESIGNED | DAB |
| CHECKED | JSB |
| DRAWN | baliva |
| CHECKED | DAB JSB |

MARCH 14, 2005
EXAMINED *John A. Morris*
ENGINEER OF STRUCTURAL SERVICES
PASSED *Ralph E. Anderson*
ENGINEER OF BRIDGES AND STRUCTURES

BRIDGE REPAIRS
OLD CAIRO BRIDGE OVER MISSISSIPPI RIVER
FAS RTE. 944 (US 60 & 62)
SEC. (138D-BR)1-5
ALEXANDER COUNTY
SN 002-0005