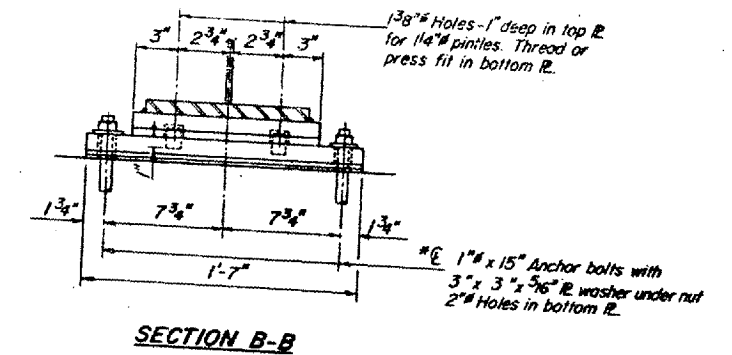
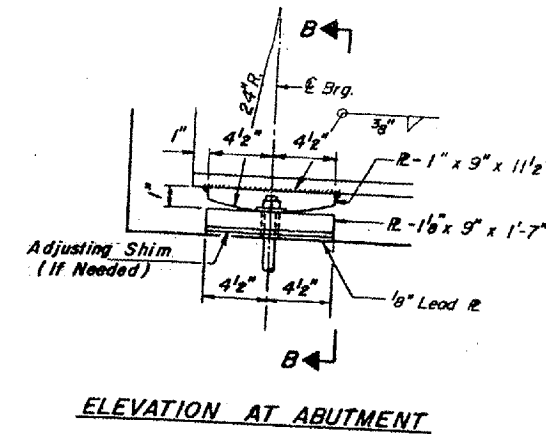
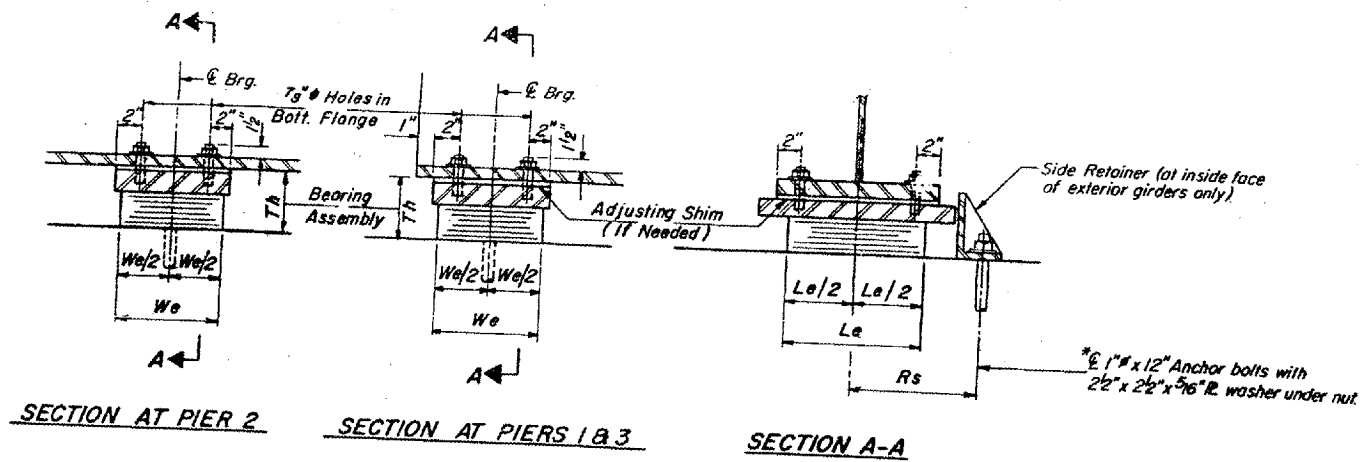


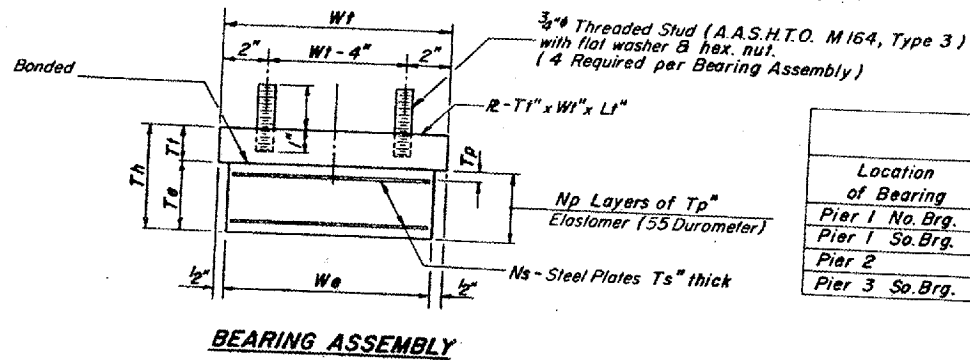
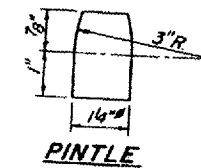
Sec. 129 BC-BR



**TYPE I ELASTOMERIC EXP. BRG.**  
 ( At Pier 1 - No. & So. Brgs. = 10 Req'd.)  
 ( At Pier 2 = 5 Req'd.)  
 ( At Pier 3 - So. Brgs. = 5 Req'd.)

\*Note: After girders have been erected holes at expansion bearings shall be drilled and anchor bolts grouted in place. Anchor bolts at fixed bearings may be built into the masonry.

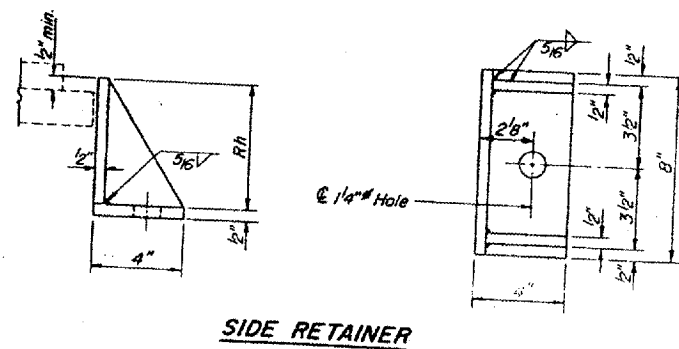
**FIXED BEARING**  
 ( At N. Abut. = 5 Req'd.)  
 ( At S. Abut. = 5 Req'd.)



**TYPE I ELASTOMERIC EXPANSION BEARING TABLE OF DIMENSIONS**

Location of Bearing	Top Plate			Elastomer Dimensions								Retainer		Th
	Tl	Wl	Ll	Te	We	Le	Np	Ns	Tp	Ts	Rh	Rs		
Pier 1 No. Brg.	1 7/8"	8"	1'-2"	1 3/4"	7"	12"	4	3	3 3/8"	3 3/8"	3 1/2"	9 1/4"	3 3/8"	
Pier 1 So. Brg.	1 3/4"	10"	1'-3"	2 1/4"	9"	12"	5	4	3 3/8"	3 3/8"	4"	9 3/4"	4"	
Pier 2	2 5/8"	13"	1'-10"	3 1/8"	12"	20"	5	4	3 10/16"	3 10/16"	6 1/2"	1'-1 1/4"	6 1/16"	
Pier 3 So. Brg.	1 7/8"	8"	1'-2"	1 3/4"	7"	12"	4	3	3 3/8"	3 3/8"	3 1/2"	9 1/4"	3 3/8"	

Note: Shim plates shall not be placed under Bearing Assembly.



FOR INFORMATION ONLY:  
 BRIDGE NO. 1 STRUCTURE 100-0032

TYPE I ELASTOMERIC EXP BRG.  
 FEDERAL AID PRIMARY RT. 726 (ILL. 148)  
 SECTION 129 BC-BR  
 OVER BIG MUDDY RIVER  
 WILLIAMSON COUNTY  
 STATION 173+70.00