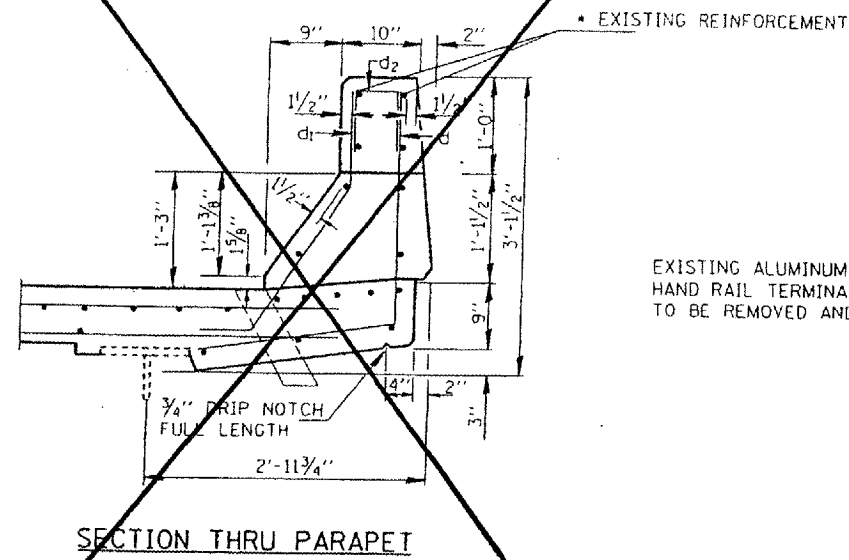
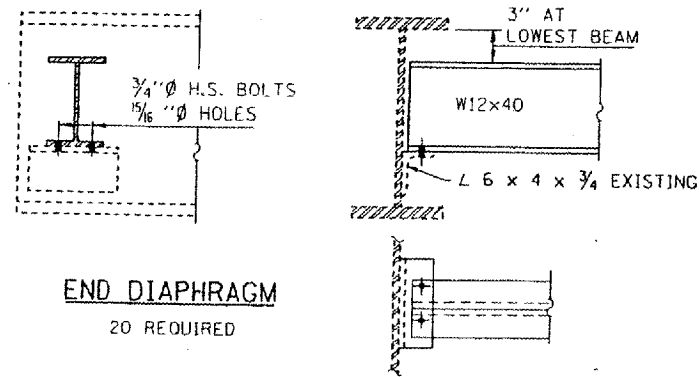


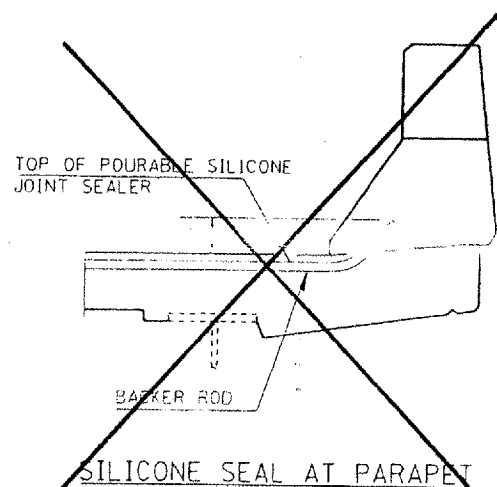
NOTE:  $d_1$  (E) and  $d_2$  (E) BARS SPACED AT 12" CTRS.



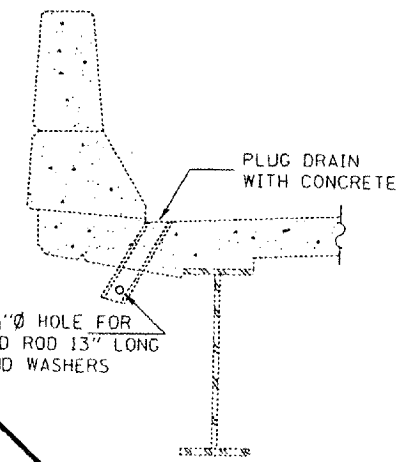
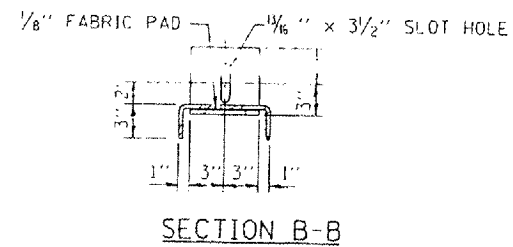
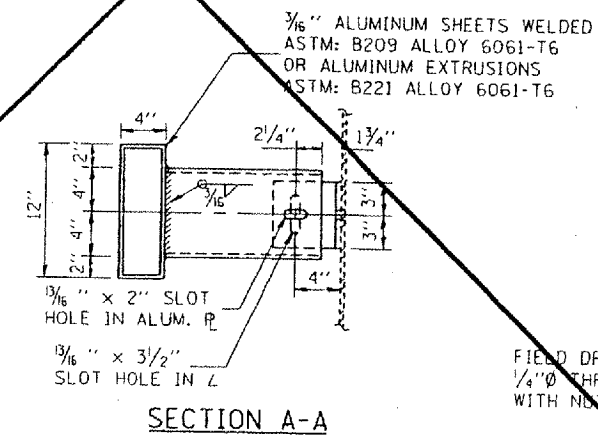
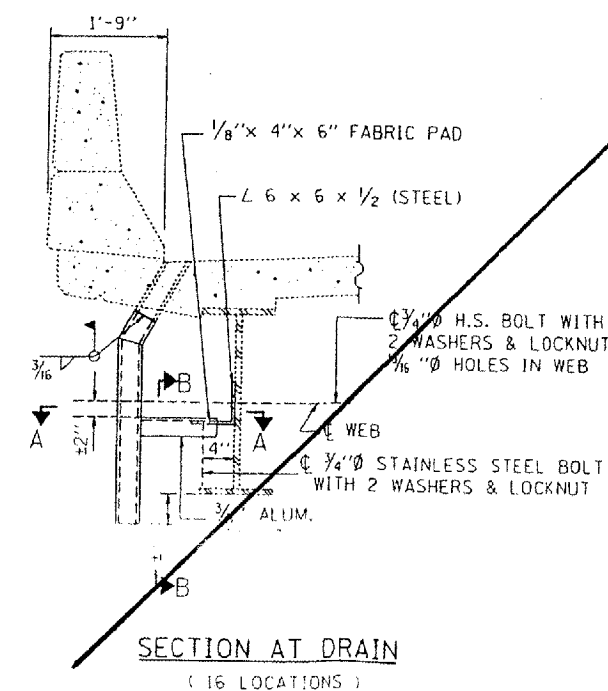
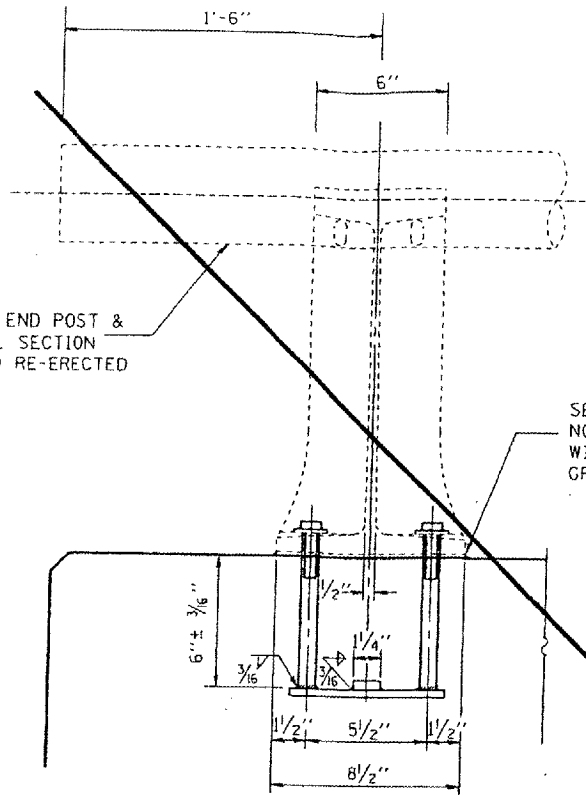
EXISTING REINFORCEMENT EXTENDING INTO REMOVAL AREA SHALL BE CLEANED, STRAIGHTENED AND INCORPORATED INTO THE NEW CONSTRUCTION. COST INCLUDED IN CONCRETE REMOVAL.



NOTE: TWO HARDENED WASHERS SHALL BE REQUIRED OVER ALL OVERSIZE HOLES FOR DIAPHRAGMS.



DESIGNED	J.C.P.
CHECKED	
DRAWN	T. F.
CHECKED	



FOR INFORMATION ONLY:

BRIDGE NO. 3 STRUCTURE 064-0030

BRIDGE NO. 4 STRUCTURE 064-0031

RC ENGINEERS, LTD.  
 CONSULTING ENGINEERS - SPRINGFIELD, ILLINOIS

CONCRETE SUPERSTRUCTURE, SILICONE JOINT DETAIL, DI

File: 064-0030-0031.dwg  
 Date: 11/17/14 14:52:39  
 User: jcp  
 Plot: 064-0030-0031.dwg  
 Plot Date: 11/17/14 14:52:39  
 Plot Scale: 1:1  
 Plot Size: 11.00 x 17.00  
 Plot Units: Feet  
 Plot Orientation: Landscape  
 Plot Color: Black  
 Plot Lineweight: 0.30  
 Plot Linetype: Solid  
 Plot Font: Arial  
 Plot Font Size: 10  
 Plot Font Color: Black  
 Plot Font Weight: Normal  
 Plot Font Style: Normal  
 Plot Font Orientation: Horizontal  
 Plot Font Angle: 0  
 Plot Font Color: Black  
 Plot Font Weight: Normal  
 Plot Font Style: Normal  
 Plot Font Orientation: Horizontal  
 Plot Font Angle: 0