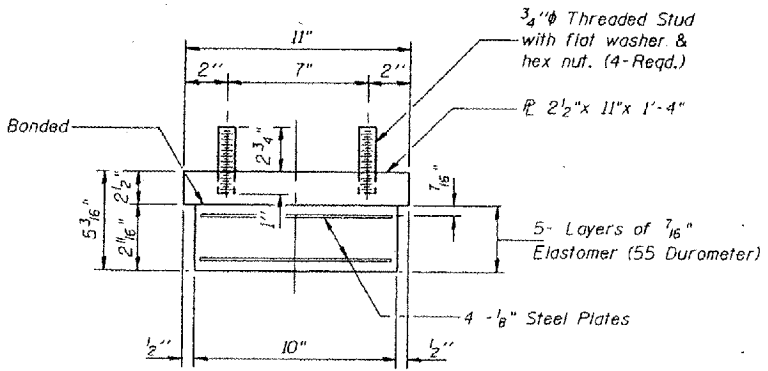


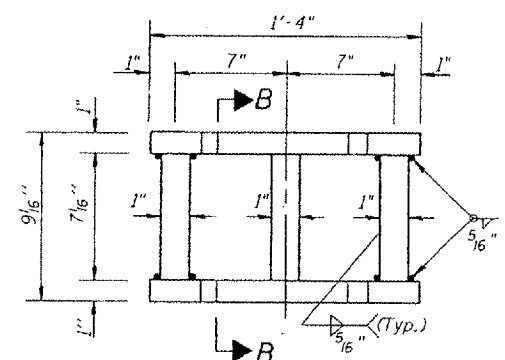
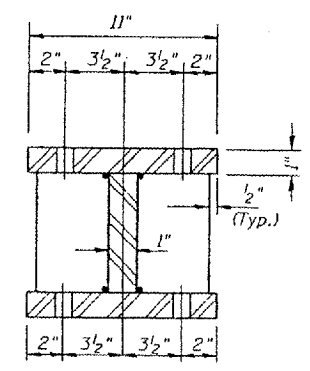
TYPE I ELASTOMERIC BEARING PIER I



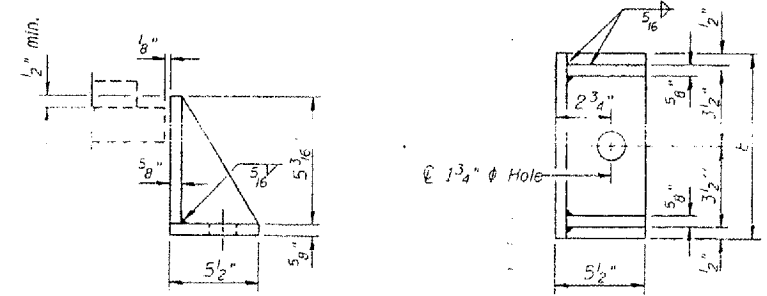
*** BEAM REACTION TABLE**

	SERVICE LOADS
R @ (K)	63.3
R 1/4 (K)	44.9
Imp (K)	13.5
R Total (K)	121.7

* Min. Jack capacity at each Beam shall be 70 Tons.



BEARING ASSEMBLY
 Note: Shim plates shall not be placed under Bearing Assembly



SIDE RETAINER
 Equivalent rolled angle with stiffeners will be allowed in lieu of welded plates. Weight included with Structural Steel.

Notes:
 Prior to ordering any material, the contractor shall verify in the field all bearing height dimensions.
 For anchor bolt installation details see sheet # 8 of 11.
 New steel extensions, side retainers, connection bolts, anchor bolts, and shim plates shall be included in the cost of 'Furnishing and Erecting Structural Steel'.
 Diaphragm removal and replacement may be required to facilitate drilling holes. Cost shall be included in the cost of 'Furnishing and Erecting Structural Steel'.

BILL OF MATERIAL

ITEM	UNIT	TOTAL
ELASTOMERIC BEARING ASSEMBLY TYPE I	EACH	12

FOR INFORMATION ONLY:

BRIDGE NO. 3 STRUCTURE 064-0030
BRIDGE NO. 4 STRUCTURE 064-0031

ELASTOM



Tue Jul 17 15:53:48 2001
 c:\projects\bsmar\064-0030\type1.dwg
 L:\1-63

DESIGNED	J.C.P.
CHECKED	
DRAWN	T.F.
CHECKED	