



HANSON PROFESSIONAL SERVICES INC.

815 Commerce Drive, Suite 200
Oak Brook, Illinois 60523
Telephone: 630.990.3800
Fax: 630.990.3801

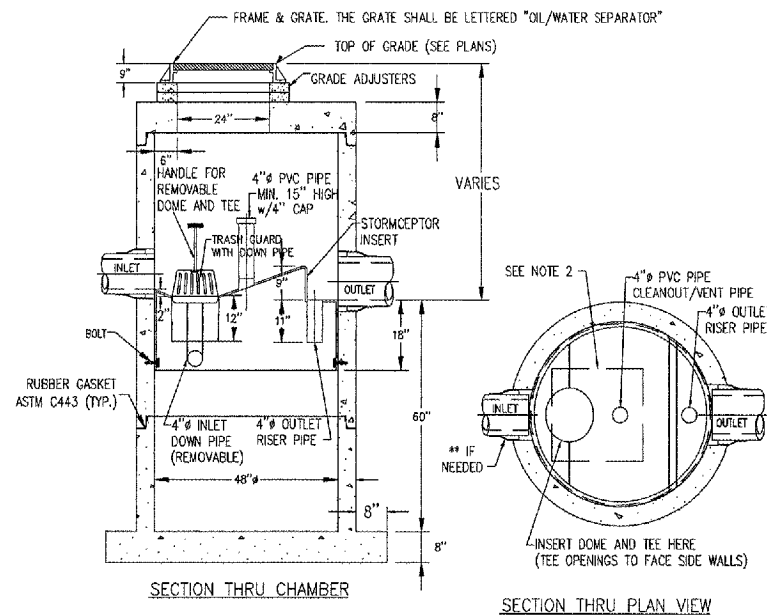


JOLIET REGIONAL PORT DISTRICT

1 Hangar Road
Romeoville, Illinois 60446
Telephone: 815.838.9497
Fax: 815.838.9524

EXTEND TAXIWAY E: CONSTRUCT
GA APRON, AVGAS FUELING APRON
AND AUTO PARK 100

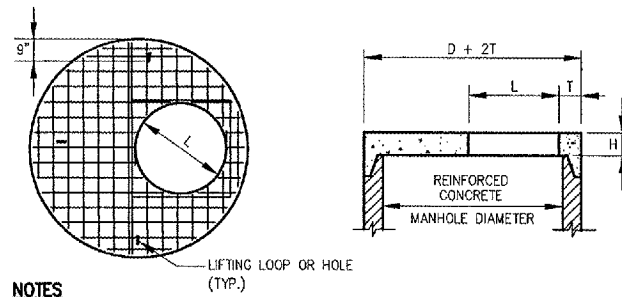
AIP PROJECT NO. 3-17-0140-B38
IDA PROJECT NO. LOT-3441



NOTE:

1. THE USE OF FLEXIBLE CONNECTIONS IS RECOMMENDED AT THE OUTLET WHERE APPLICABLE.
2. THE COVER SHOULD BE POSITIONED OVER THE 4" CLEANOUT/VENT PIPE AND THE 4" INLET DOWN PIPE.
3. THE STORMCEPTOR SYSTEM IS PROTECTED BY ONE OR MORE OFF THE FOLLOWING U.S. PATENTS: #4985148, #5498331, #5725760, #5753115, #5849181.
4. CONTRACTOR TO PROVIDE CRANE TO SET UNIT (HEAVIEST SECTION WEIGHS 5000 LB)

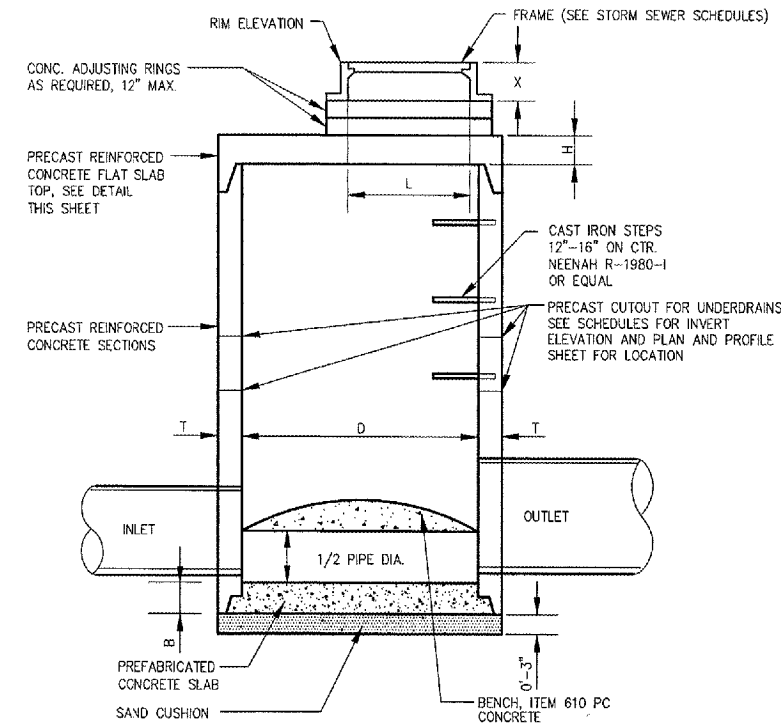
OIL/WATER SEPARATOR MANHOLE
STORMCEPTOR MODEL 450I (450 US GALLON CAPACITY)



NOTES

1. ADDITIONAL TOP AND BOTTOM BARS PLACED ADJACENT TO ACCESS HOLE.
2. MINIMUM 1" COVER ON STEEL BARS.
3. THREE LIFTING LOOPS OR HOLES.
4. MINIMUM STEEL REINFORCEMENT IN EACH DIRECTION TO BE WWF 1.06 SQ. IN./FT. IN ACCORDANCE WITH AASHTO M199 AND IDOT STANDARDS.
5. FOR "L" DIMENSION SEE STORM SEWER SCHEDULES.

PRECAST REINFORCED CONCRETE FLAT SLAB TOP
(IDOT STANDARD 602601)



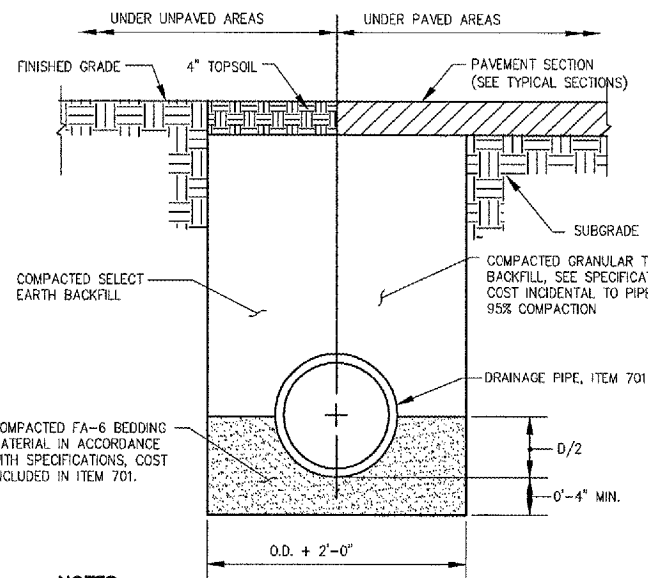
MANHOLE DATA

INSIDE DIA. "D" (IN.)	WALL THICKNESS "T" (IN.)	TOP THICKNESS "H" (IN.)	BOTTOM THICKNESS "B" (IN.)
48	5	6	6
60	5	8	8
72	6	8	8
84	7	8	8

NOTES

1. FOR FRAME AND LID INFORMATION SEE STORM SEWER SCHEDULES.
2. CENTER OF FRAME TO BE USED FOR LOCATING STRUCTURE. FOR STRUCTURE LOCATIONS AND ADDITIONAL INFORMATION SEE SCHEDULE.
3. ALL STRUCTURES TO BE PRECAST REINFORCED CONCRETE SECTIONS; BENCHES MAY BE CAST IN PLACE.
4. BLOCKOUTS FOR UNDERDRAIN CONNECTIONS SHALL BE PRECAST INTO THE STRUCTURE.

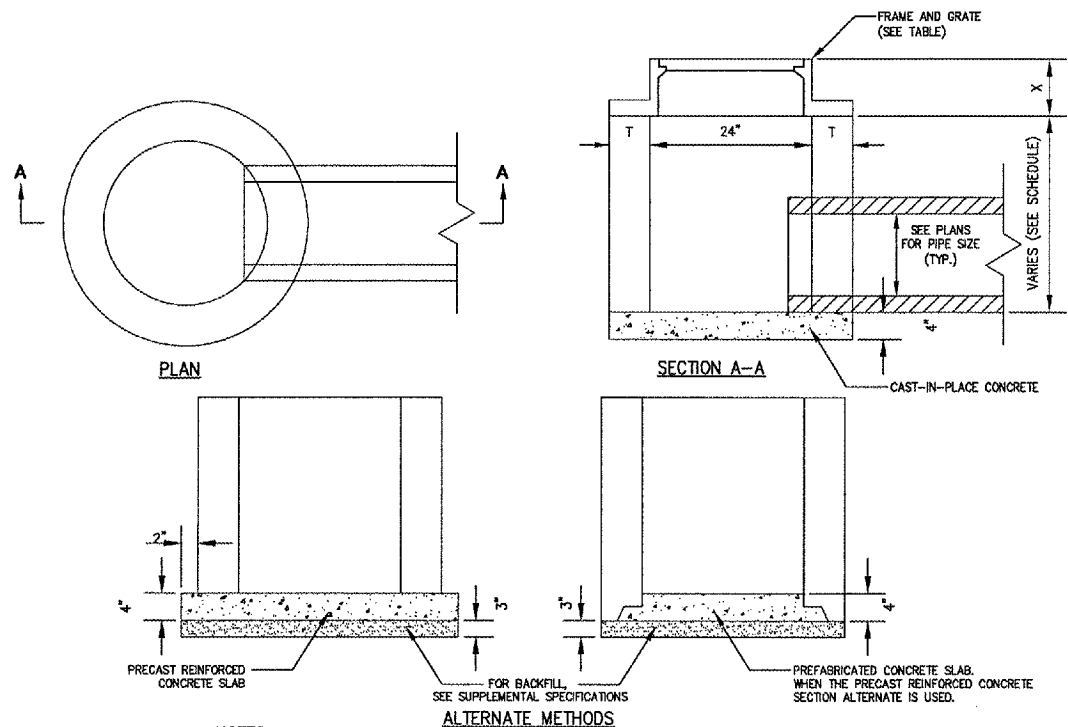
MANHOLE WITH FLAT SLAB TOP
(IDOT STANDARD 602406-MODIFIED)



NOTES

1. UNSUITABLE MATERIAL ENCOUNTERED DURING PLACEMENT OF BEDDING SHALL BE REMOVED AND REPLACED.
2. WITHIN 3 FEET OF PAVED AREA, GRANULAR BACKFILL IS TO BE USED INSTEAD OF EARTH BACKFILL.
3. AT CONTRACTOR'S OPTION IDOT CONTROLLED LOW STRENGTH MATERIAL WITH A HIGH EARLY STRENGTH, "FLASH FILL", MAY BE USED INSTEAD OF GRANULAR TRENCH BACKFILL UNDER PAVEMENTS.

PIPE TRENCH



NOTES

1. SEE DRAINAGE AND UNDERDRAIN SCHEDULE FOR LOCATION, SIZE AND NUMBER OF PIPE CONNECTIONS.
2. INLETS TO BE PRECAST REINFORCED CONCRETE SECTIONS (T = 3").

INLET TYPE A
(IDOT STANDARD 602301)

No.	Drawing Issue Description	Date	By

Date
MARCH 25, 2005
Sheet Title

DRAINAGE DETAILS

840-048041
Project Number
LDH 02/23/05
Layout By Date
LDH/TMM 02/23/05
Designed By Date
RMH 03/15/05
Reviewed By Date
LDH | TMM | ---
Drawn By Sheet No.

DETAILS SHOWN ARE NOT TO SCALE

P:\04\025\02840\048041\DRAWINGS\SHEETS\18-DRAINAGE DETAILS.DWG MAR 28, 2005 12:13PM TMM