



HANSON PROFESSIONAL SERVICES INC.
 815 Commerce Drive, Suite 200
 Oak Brook, Illinois 60523
 Telephone: 630.990.3800
 Fax: 630.990.3801

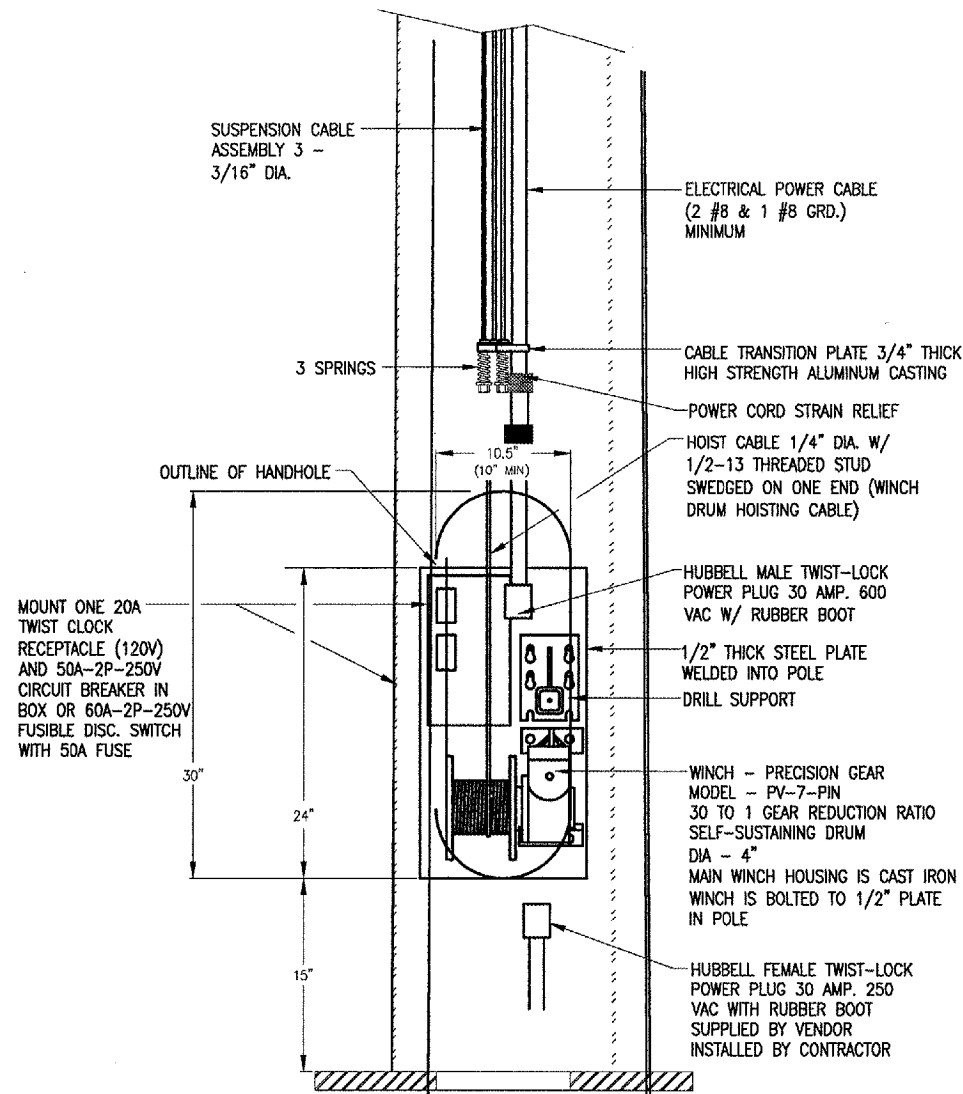


JOLIET REGIONAL PORT DISTRICT

1 Hangar Road
 Romeoville, Illinois 60446
 Telephone: 815.838.9497
 Fax: 815.838.9524

EXTEND TAXWAY E; CONSTRUCT
 GA APRON, AVGAS FUELING APRON
 AND AUTO PARK 100

AIP PROJECT NO. 3-17-0140-B38
 IDA PROJECT NO. LOT-3441



**SECTION THRU POLE
 WINCH AND CABLE ASSEMBLY**

MOUNT ONE 20A
 TWIST CLOCK
 RECEPTACLE (120V)
 AND 50A-2P-250V
 CIRCUIT BREAKER IN
 BOX OR 60A-2P-250V
 FUSIBLE DISC. SWITCH
 WITH 50A FUSE

SUSPENSION CABLE
 ASSEMBLY 3 -
 3/16" DIA.

ELECTRICAL POWER CABLE
 (2 #8 & 1 #8 GRD.)
 MINIMUM

3 SPRINGS

CABLE TRANSITION PLATE 3/4" THICK
 HIGH STRENGTH ALUMINUM CASTING

POWER CORD STRAIN RELIEF

HOIST CABLE 1/4" DIA. W/
 1/2-13 THREADED STUD
 SWEDGED ON ONE END (WINCH
 DRUM HOISTING CABLE)

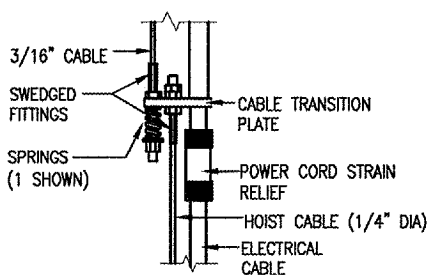
HUBBELL MALE TWIST-LOCK
 POWER PLUG 30 AMP. 600
 VAC W/ RUBBER BOOT

1/2" THICK STEEL PLATE
 WELDED INTO POLE

DRILL SUPPORT

WINCH - PRECISION GEAR
 MODEL - PV-7-PIN
 30 TO 1 GEAR REDUCTION RATIO
 SELF-SUSTAINING DRUM
 DIA - 4"
 MAIN WINCH HOUSING IS CAST IRON
 WINCH IS BOLTED TO 1/2" PLATE
 IN POLE

HUBBELL FEMALE TWIST-LOCK
 POWER PLUG 30 AMP. 250
 VAC WITH RUBBER BOOT
 SUPPLIED BY VENDOR
 INSTALLED BY CONTRACTOR

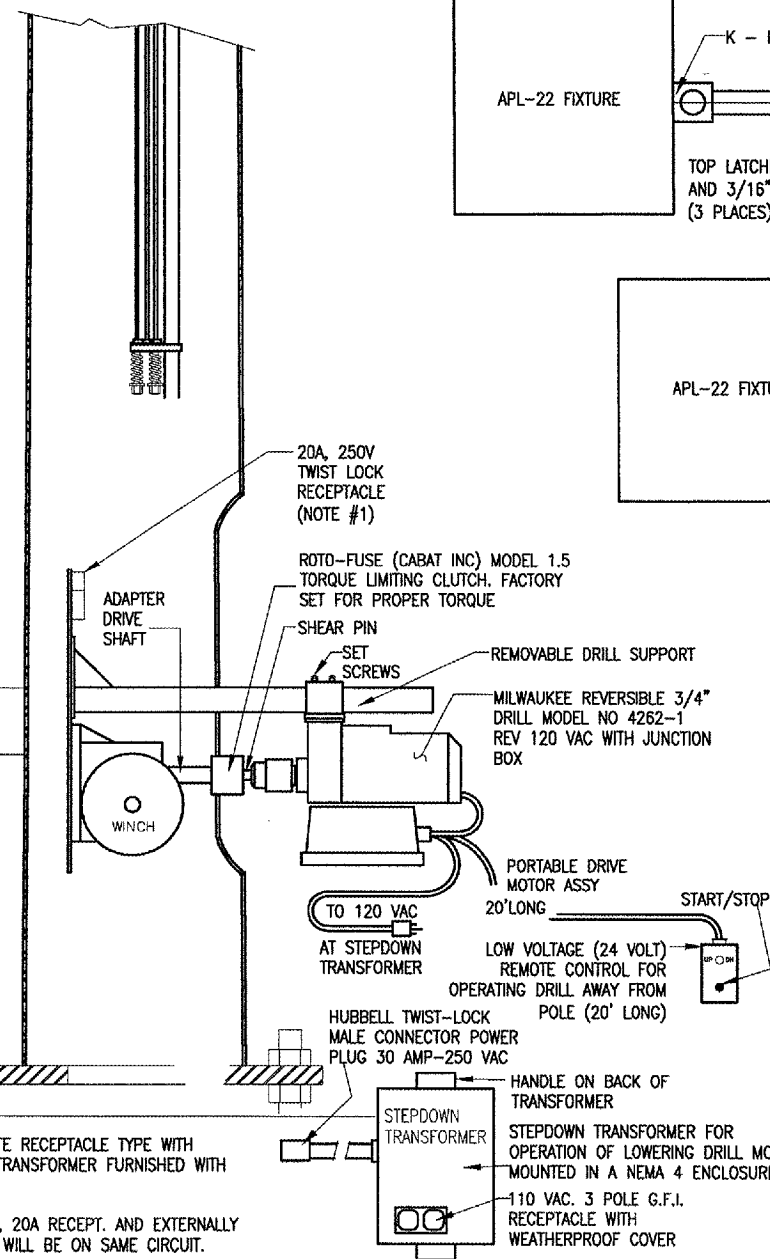


1/4 HOIST CABLE DETAIL

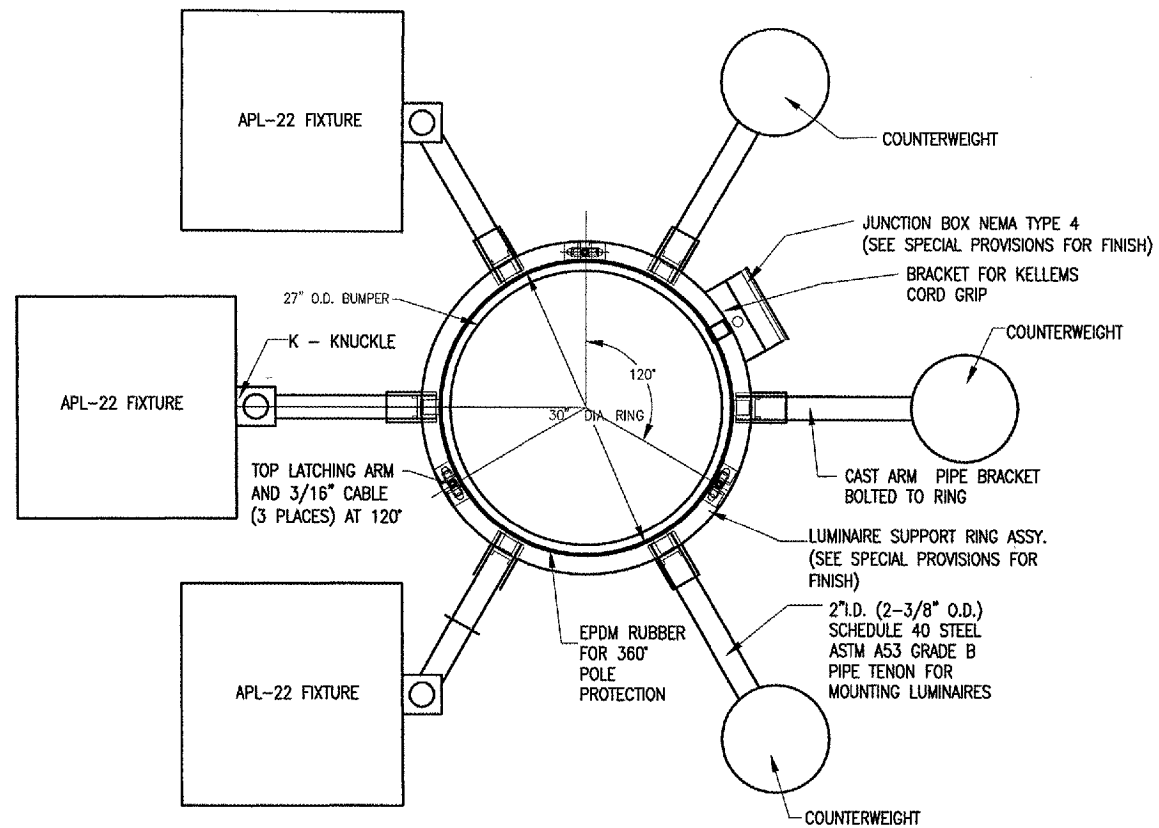
20A, GFI TYPE DUPLEX
 RECEPTACLE IN WP.
 BOX, PAINT TO MATCH
 FINISH

NOTES:

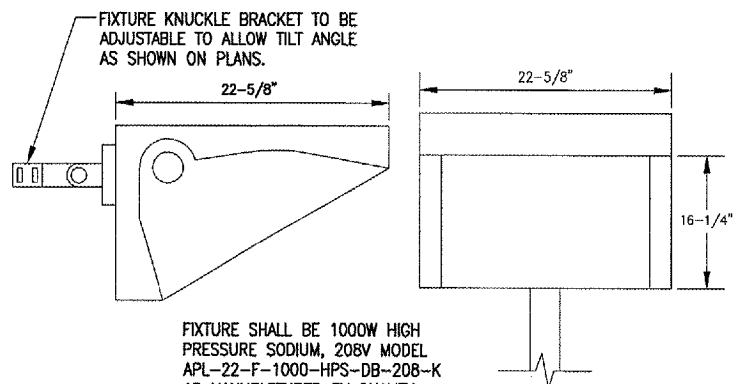
- VENDOR TO COORDINATE RECEPTACLE TYPE WITH PORTABLE STEPDOWN TRANSFORMER FURNISHED WITH LOWERING DEVICE.
- INSIDE MOUNTED 120V, 20A RECEPT. AND EXTERNALLY MOUNTED RECEPTACLE WILL BE ON SAME CIRCUIT.
- PROVIDE LIGHTNING ARRESTORS AT EACH POLE. INSTALL AT HANDHOLE. SEE SPECIAL PROVISIONS.



LOWERING DEVICE DETAIL



PLAN VIEW OF RING



LIGHT FIXTURE

FIXTURE SHALL BE 1000W HIGH
 PRESSURE SODIUM, 208V MODEL
 APL-22-F-1000-HPS-DB-208-K
 AS MANUFACTURED BY QUALITY
 LIGHTING OR EQUAL-DARK BRONZE
 POWDER FINISH - (3 PER POLE).

No.	Drawing Issue Description	Date	By

Date
 MARCH 25, 2005
 Sheet Title

**HIGH-MAST FIXTURE AND
 LOWERING DEVICE
 DETAILS**

840-04D8041
 Project Number
 Layout By Date
 Designed By Date
 Reviewed By Date
 Drawn By Date

P: [04-1055] [00840] [0408041] [DRAWINGS] [SHEETS] [49-FUTURE AND LOWERING DEVICE DETAILS.DWG, MAR 28, 2005 12:15PM, TMM]