



HANSON PROFESSIONAL SERVICES INC.

815 Commerce Drive, Suite 200
Oak Brook, Illinois 60523
Telephone: 630.990.3800
Fax: 630.990.3801

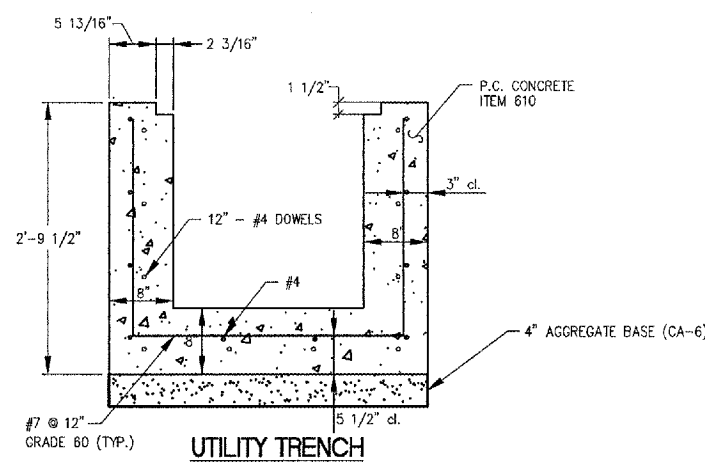


JOLIET REGIONAL PORT DISTRICT

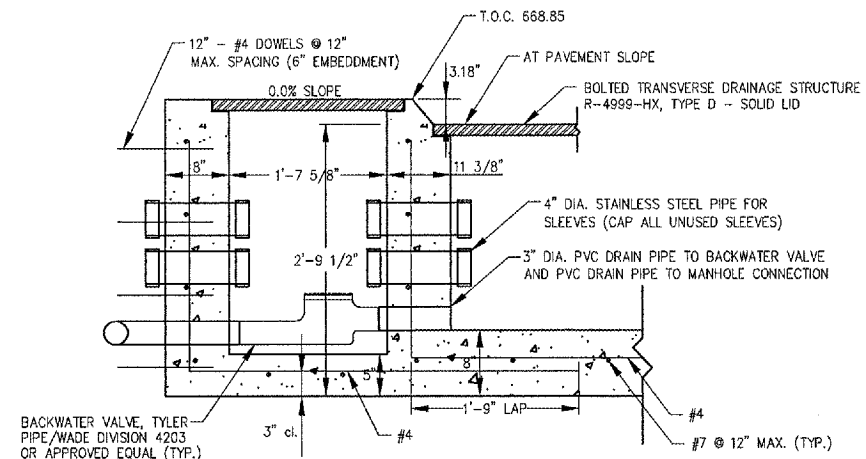
1 Hangar Road
Romeoville, Illinois 60446
Telephone: 815.838.9497
Fax: 815.838.9524

EXTEND TAXIWAY E; CONSTRUCT
GA APRON, AVGAS FUELING APRON
AND AUTO PARK 100

AIP PROJECT NO. 3-17-0140-B38
IDA PROJECT NO. LOT-3441

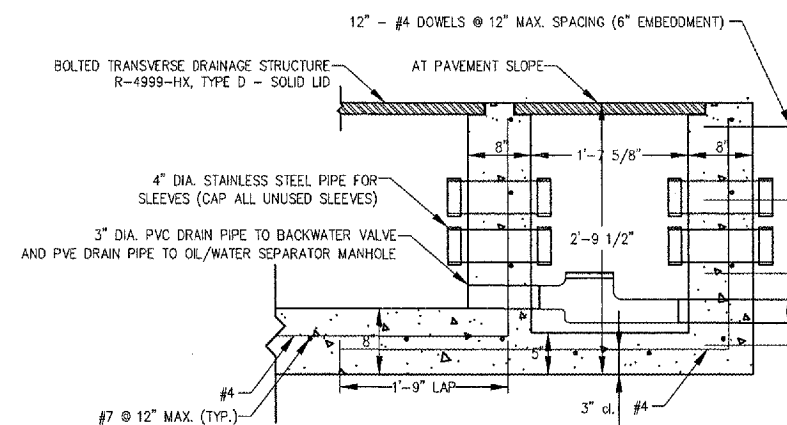


UTILITY TRENCH



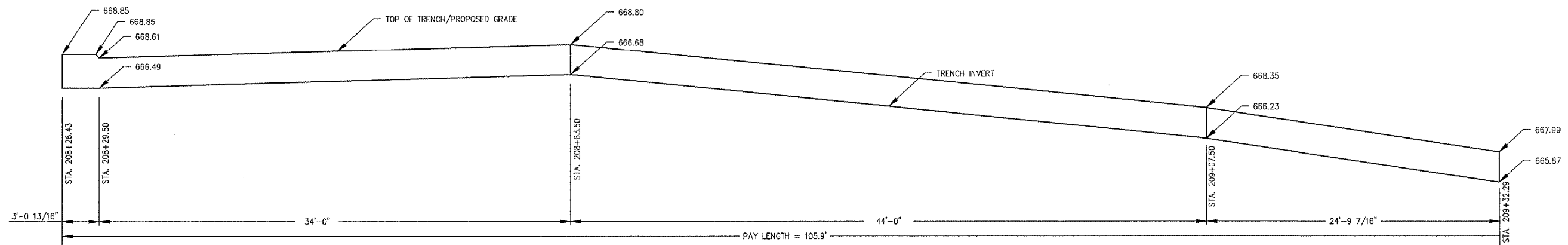
UTILITY TRENCH - NORTH END DETAIL

* SEE DRAINAGE SCHEDULE FOR PIPE SLOPE.



UTILITY TRENCH - SOUTH END DETAIL

* SEE DRAINAGE SCHEDULE FOR PIPE SLOPE.

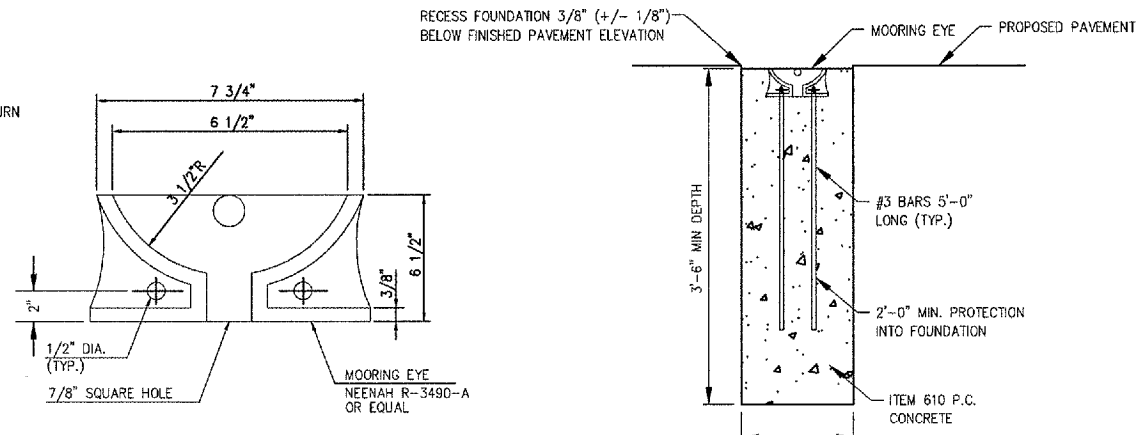
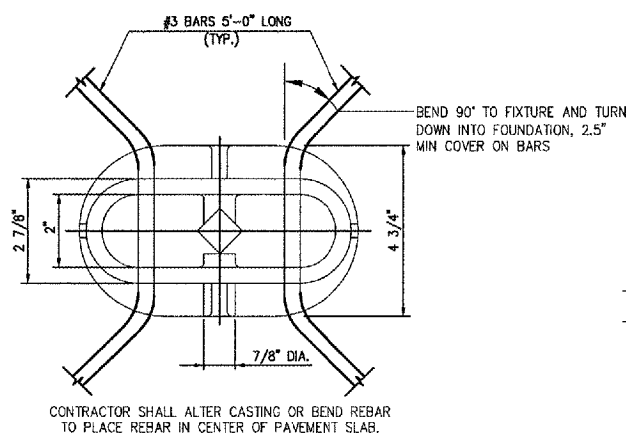


UTILITY TRENCH - PROFILE

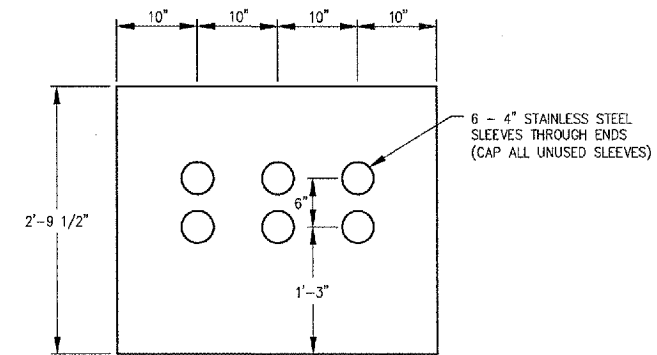
AR800991 - UTILITY TRENCH

NOTES:

- 1. ALL ITEMS INCIDENTAL TO UTILITY TRENCH, ITEM AR800991



TIE DOWN (MOORING EYE)



UTILITY TRENCH - END DETAIL
(TYPICAL EACH END)

No.	Drawing Issue Description	Date	By

Date
MARCH 25, 2005

UTILITY TRENCH AND TIE DOWN DETAILS

840-048041
Project Number
LDH 03/08/05
LDH/TMM 03/12/05
RMH 03/16/05
LDH