



HANSON PROFESSIONAL SERVICES INC.
 815 Commerce Drive, Suite 200
 Oak Brook, Illinois 60523
 Telephone: 630.990.3800
 Fax: 630.990.3801

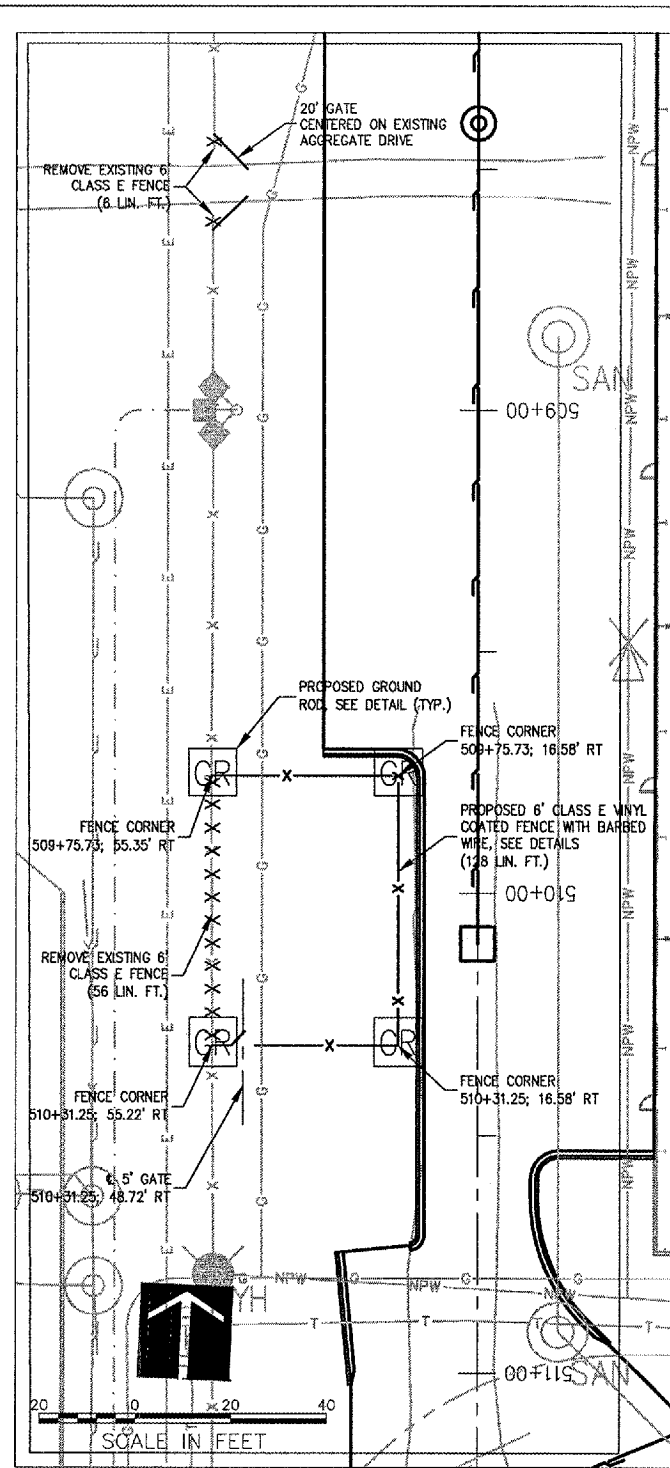


JOLIET REGIONAL PORT DISTRICT

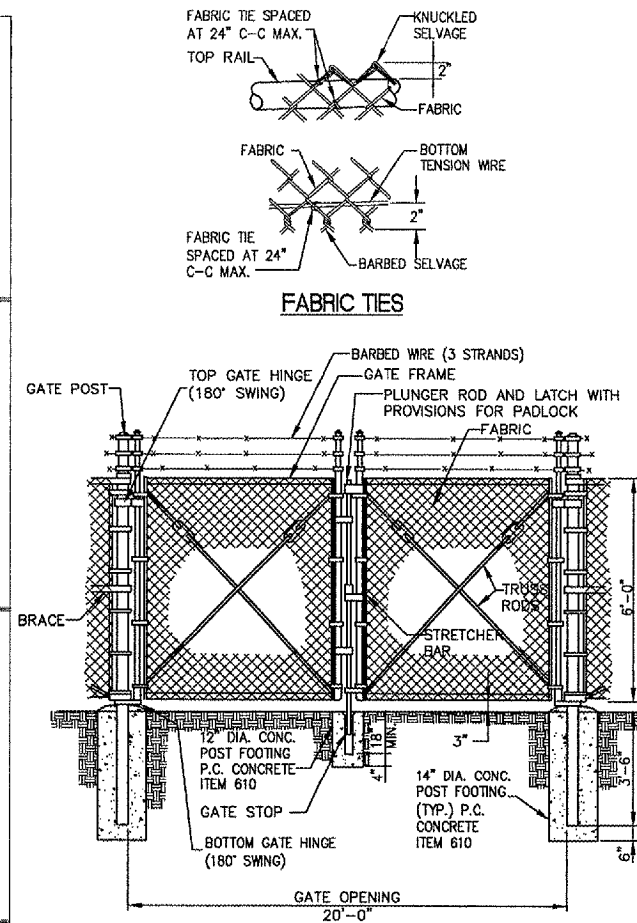
1 Hangar Road
 Romeoville, Illinois 60446
 Telephone: 815.838.9497
 Fax: 815.838.9524

EXTEND TAXWAY E; CONSTRUCT
 GA APRON, AVGAS FUELING APRON
 AND AUTO PARK 100

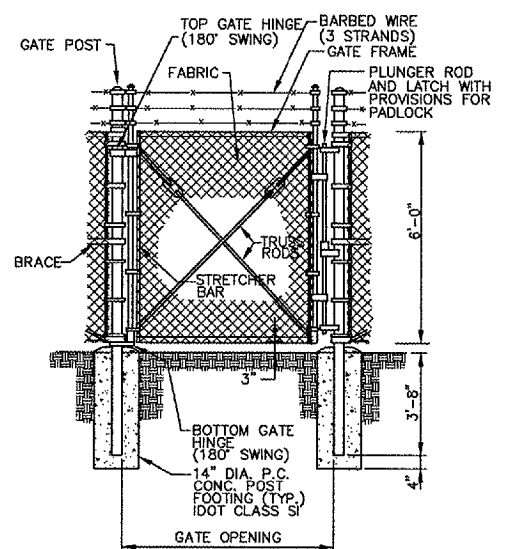
AIP PROJECT NO. 3-17-0140-B38
 IDA PROJECT NO. LOT-3441



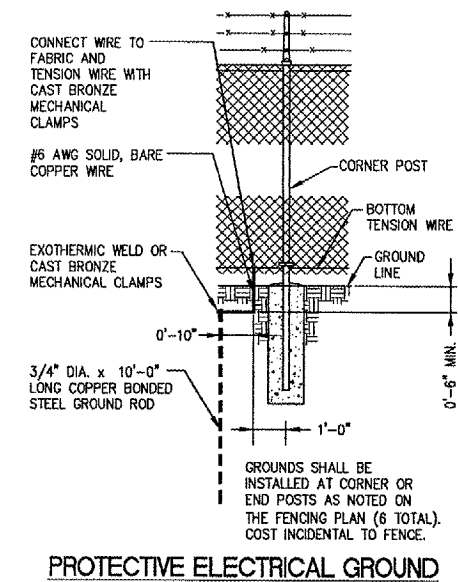
FENCING PLAN



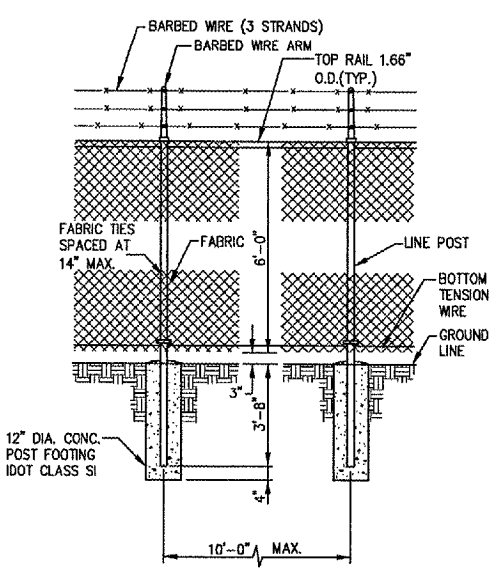
VEHICLE GATE, 20 FOOT WIDE



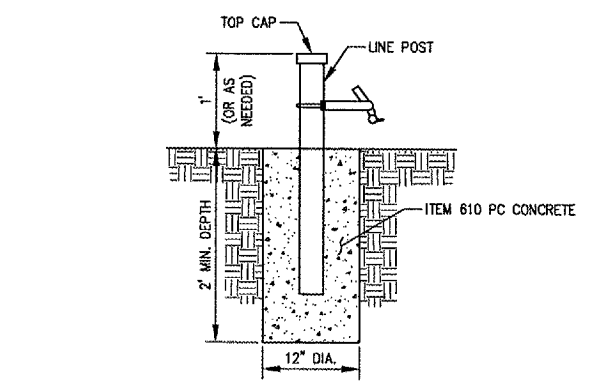
PEDESTRIAN GATE, 5 FOOT WIDE



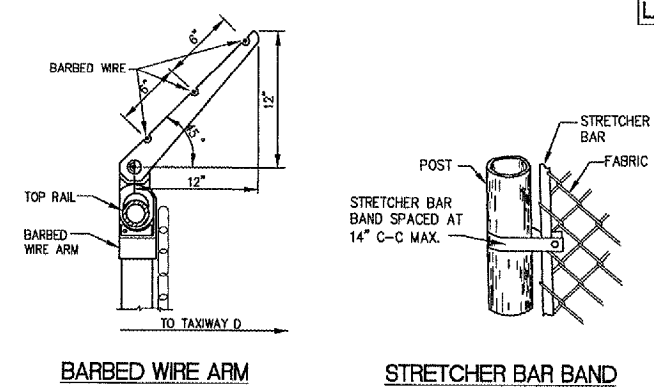
PROTECTIVE ELECTRICAL GROUND



LINE POST

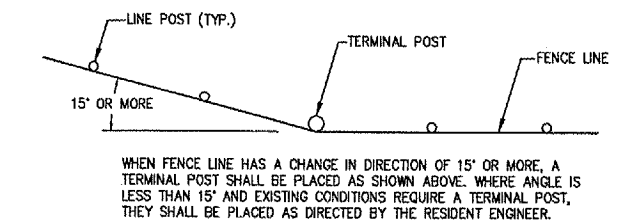


GATE HOLDBACK

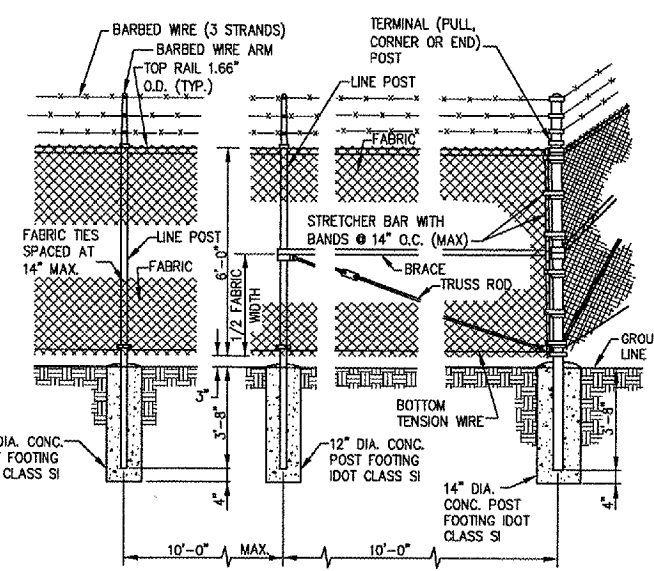


BARBED WIRE ARM

STRETCHER BAR BAND



INSTALLATION AT CORNERS



TERMINAL (PULL, CORNER OR END) POST

FENCING NOTES

- ALL FENCE, FABRIC, POSTS, GATES, TENSION WIRE, RODS, BRACES, ARMS AND MISCELLANEOUS FITTINGS SHALL BE VINYL-COATED GREEN.
- BARBED WIRE FOR FENCE AND GATES SHALL BE GALVANIZED STEEL.
- FENCE AND GATE HEIGHT SHALL BE 6'-0" AS SHOWN.
- PULL POSTS SHALL BE PLACED AT LOCATIONS DETERMINED BY THE RESIDENT ENGINEER. THEY SHALL BE PLACED AT 660 FOOT INTERVALS BETWEEN POSTS TO WHICH THE ENDS OF THE FABRIC ARE CLAMPED OR MIDWAY BETWEEN SUCH POSTS WHEN THE DISTANCE IS LESS THAN 1,320 FEET AND GREATER THAN 660 FEET.
- GATE KEEPERS SHALL BE PROVIDED TO HOLD GATES IN THE OPEN POSITION. THEY SHALL BE LOCATED AND INSTALLED AS DETAILED.
- SONDTUBE TO BE USED FOR CASTING POST FOUNDATIONS WHERE REQUIRED BY THE SOIL CONDITIONS TO PROVIDE A CONSTANT WIDTH FOOTING.
- SEE SPECIAL PROVISIONS.

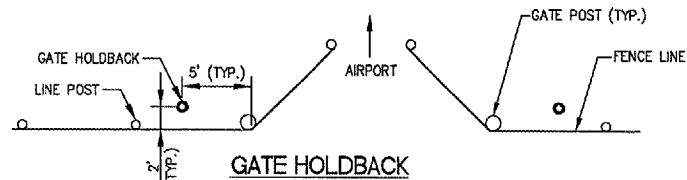
LINE POST	
SECTION (O.D.)	LBS./FT.
PIPE TYPE A 1.90"	2.72
PIPE TYPE B 1.90"	2.28
PIPE TYPE C 1.90"	2.26

TERMINAL POST	
SECTION (O.D.)	LBS./FT.
PIPE TYPE A 2.375"	3.65
PIPE TYPE B 2.375"	3.11
PIPE TYPE C 2.375"	3.09

HORIZONTAL BRACES	
SECTION (O.D.)	LBS./FT.
PIPE TYPE A 1.66"	2.27
PIPE TYPE B 1.66"	1.83
PIPE TYPE C 1.66"	1.82

GATE POSTS					
GATE OPENING (FT.)		PIPE TYPE A		PIPE TYPE B	
SINGLE	DOUBLE	SIZE (O.D.)	(LBS./FT.)	SIZE (O.D.)	(LBS./FT.)
UP TO 4	UP TO 8	2.375"	3.65	2.375"	3.11
OVER 4 TO 8	OVER 8 TO 16	2.875"	5.79	2.875"	4.64
OVER 8 TO 14	OVER 16 TO 28	3.5"	7.58	3.5"	5.707

GATE FRAMES	
SECTION (O.D.)	LBS./FT.
PIPE TYPE A 1.66"	2.27
PIPE TYPE B 1.66"	1.83
PIPE TYPE C 1.66"	1.82



DETAILS SHOWN ARE NOT TO SCALE

No.	Drawing Issue Description	Date	By

Date
 MARCH 25, 2005
 Sheet Title

FENCING PLAN
 AUTO PARK 100
 AND FENCING DETAILS
 (ADDITIVE NO. 1)

840-04D8041
 Project Number
 TMM 03/01/05
 Layout By Date
 TMM 03/01/05
 Designed By Date
 RMH 03/07/05
 Reviewed By Date
 TMM
 Drawn By
 Sheet No.

P:\04\025\02840\0402041\DRAWINGS\SHEETS\60--FENCING PLAN\MAR 28, 2005 12:17PM TMM