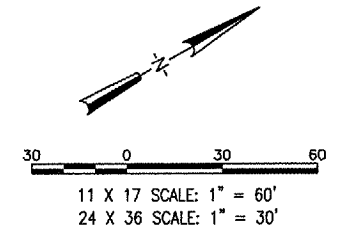


SUMMARY OF QUANTITIES			
ITEM NO.	DESCRIPTION	UNIT	QUANTITY
AR156510	SILT FENCE	L.F.	640
AR156511	DITCH CHECK	EACH	9
AR156520	INLET PROTECTION	EACH	3
AR156521	HEADWALL PROTECTION	EACH	6



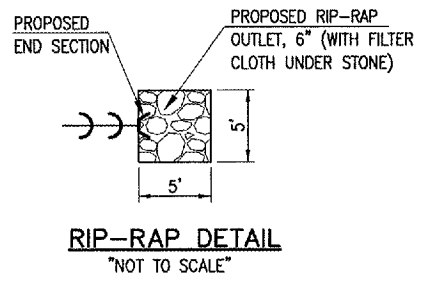
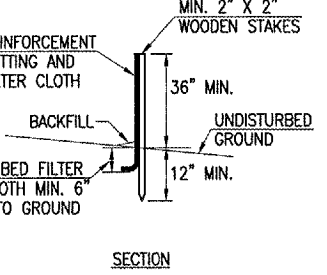
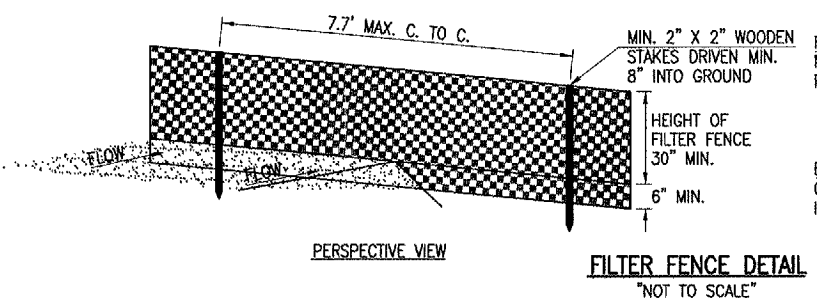
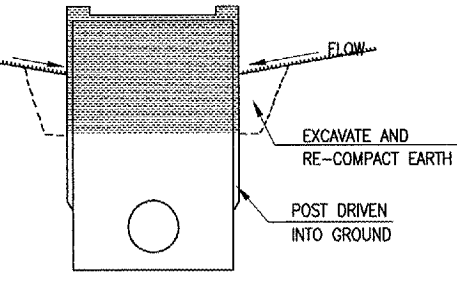
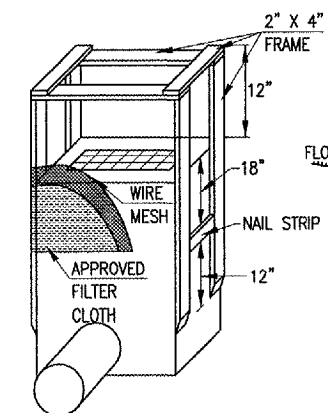
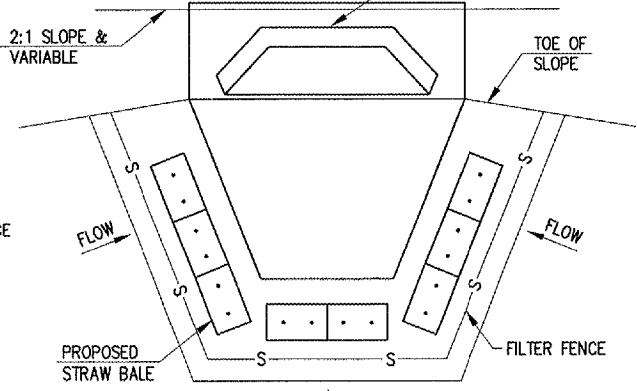
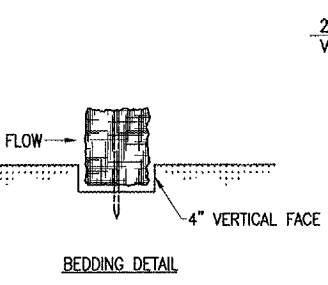
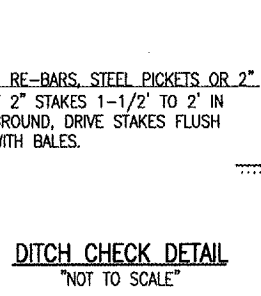
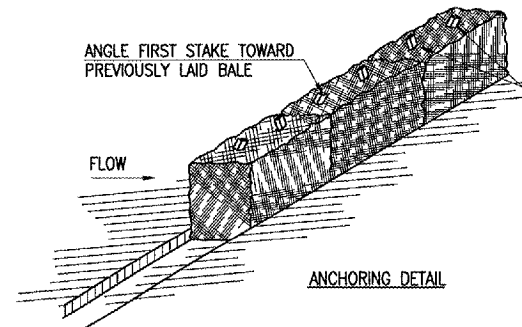
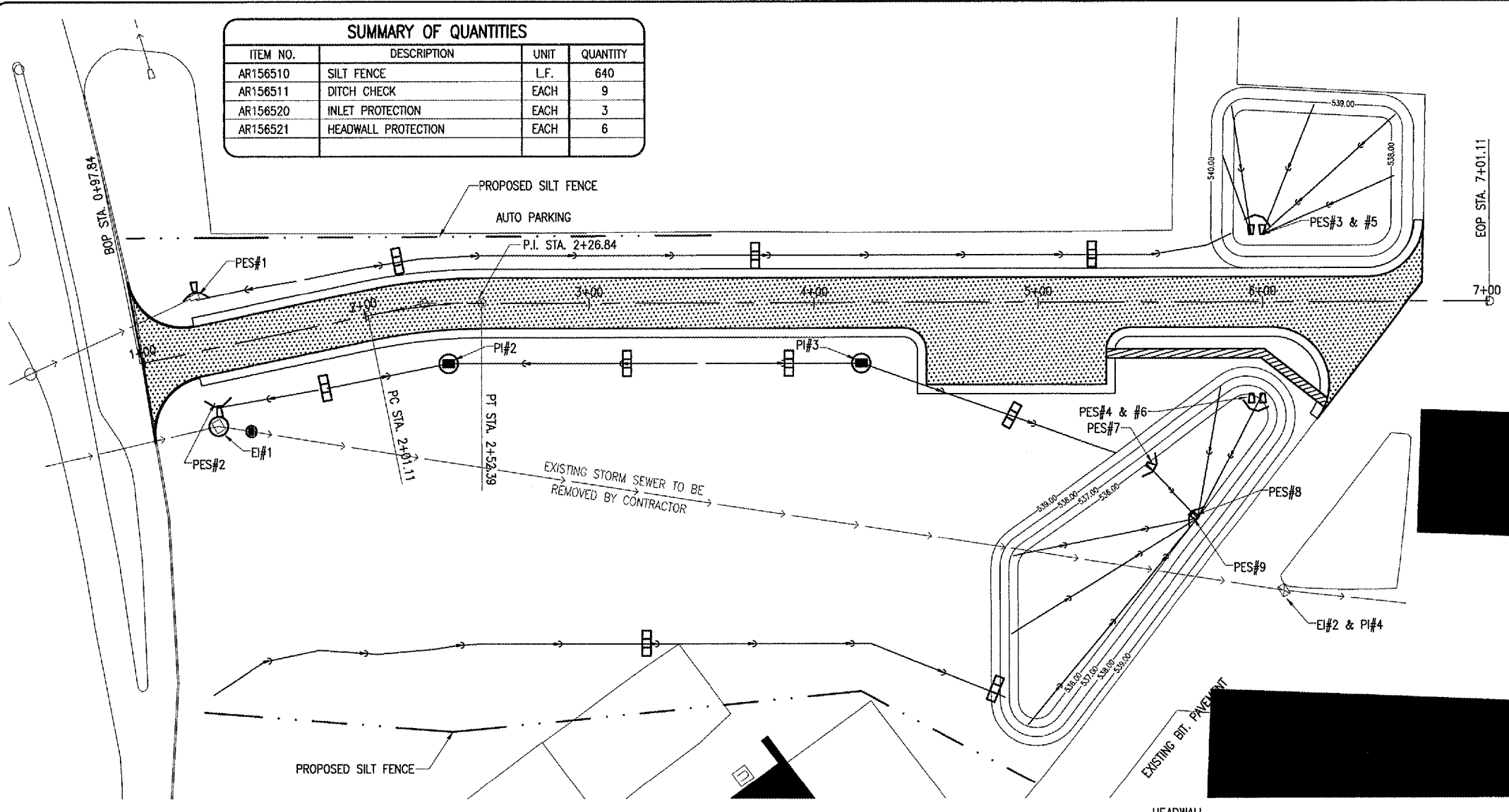
- LEGEND**
- PROPOSED PAVEMENT
 - PROPOSED INLET
 - PROPOSED FLOW LINES
 - PROPOSED END SECTION
 - PROPOSED RIPRAP
 - PROPOSED DITCH CHECK
 - PROPOSED INLET PROTECTION
 - PROPOSED FES PROTECTION
 - PROPOSED SILT FENCE
 - PROPOSED SEEDING & MULCHING LIMITS
 - EXISTING INLET TO REMAIN
 - EXISTING INLET TO BE REMOVED AND REPLACED

EROSION CONTROL NOTES

ALL PROPOSED EROSION CONTROL MEASURES SHALL BE COMPLETED AS SHOWN ON THIS SHEET.

EROSION CONTROL MEASURES SHALL BE CONSTRUCTED IN ACCORDANCE WITH IEPA STANDARDS AND SPECIFICATIONS FOR SOIL EROSIONS AND SEDIMENT CONTROL.

1. THE SILT FENCE WILL BE PAID FOR UNDER ITEM: AR156510 "SILT FENCE" PER LINEAR FEET.
2. THE DITCH CHECK WILL BE PAID FOR UNDER ITEM: AR156511 "DITCH CHECK" PER EACH.
3. THE INLET PROTECTION WILL BE PAID FOR UNDER ITEM: AR156520 "INLET PROTECTION" PER EACH.
4. THE HEADWALL PROTECTION WILL BE PAID FOR UNDER ITEM: AR156521 "HEADWALL PROTECTION" PER EACH.



REVISION	DATE	BY

ST. LOUIS REGIONAL AIRPORT
 St. Louis Regional Airport
 EAST ALTON, ILLINOIS
 IL PROJ.: ALN-3355

DATE	BY	REVIEWED
03/08/04	JAC	WJM
03/08/04	JAC	WJM
06/23/04	WJM	

HANSON
 Hanson Professional Services Inc.
 1001 S. State St. Ste. 200
 Springfield, Illinois 62703-2886
 Offices Nationwide

CONSTRUCT T-HANGAR ACCESS ROAD
 PROPOSED STORM WATER POLLUTION PREVENTION PLAN & DETAILS

FEB 15, 2005 11:48 AM DPE
 I:\AIRPORT\ST.LOUIS\837-04RD\AIRPORT\SHETS\R-18 ISWP.DWG - EROSION