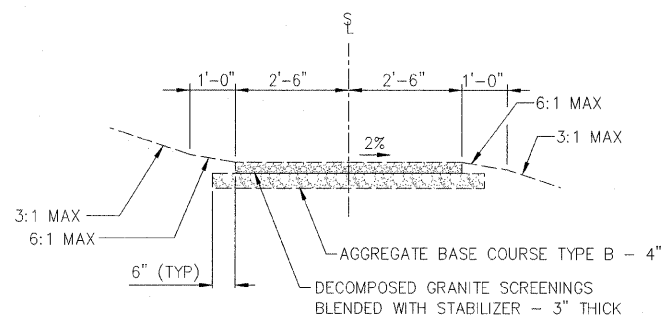
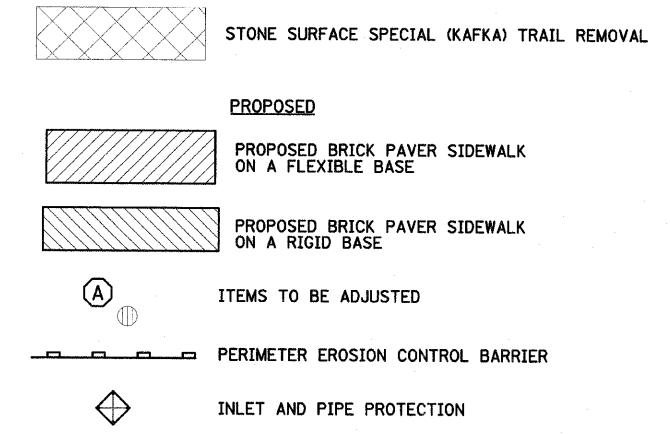


GENERAL NOTES

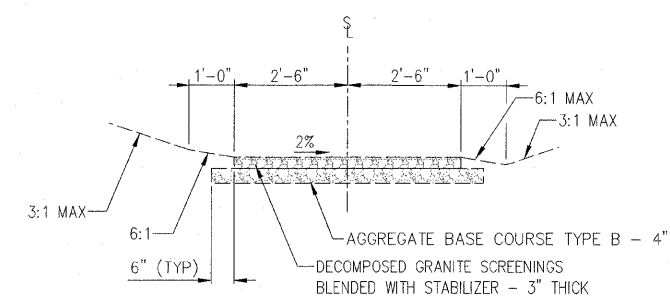
1. ALL STEEL MATERIALS ARE TO BE DOMESTIC MADE. NO FOREIGN MATERIALS WILL BE ALLOWED ON THIS PROJECT.
2. THE CONTRACTOR SHALL NOTIFY THE GALENA STATE HISTORIC SITE MANAGER MR. TERRY MILLER, AT PHONE NUMBER 815-777-3310 AT LEAST ONE WEEK IN ADVANCE OF MOVING EQUIPMENT, MATERIALS OR WORK FORCES TO THE SITE.
3. EROSION CONTROL BLANKET IS TO BE PLACED ONE (1) FOOT ON EACH SIDE OF THE TRAIL PAVEMENT BRICKS, COMPLETELY OVER THE TOPSOIL AREA OF TRAIL #1 AND ALL THE REMAINING DISTURBED AREAS.
4. THE CONTRACTOR IS TO CALL THE TOLL FREE J.U.I.L.E. TELEPHONE NUMBER 1-800-892-0123 BEFORE STARTING EXCAVATION.

LEGEND



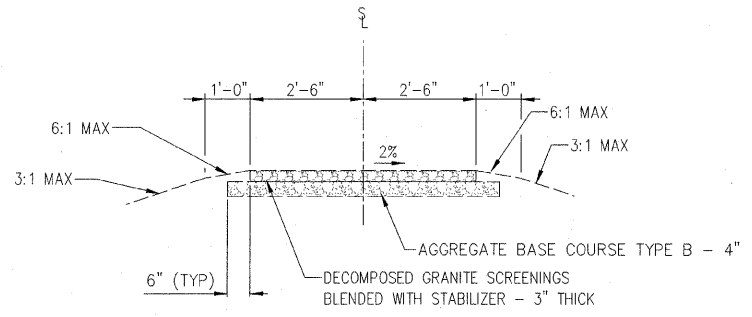
EXISTING TYPICAL STONE SURFACE SPECIAL TRAIL (CROSS SECTION TRAIL ONE)

GRANT HOME AND FIRST LADY PARK - SEE PLANS FOR APPLICABLE LOCATIONS
SCALE: 1/2"=1'-0"
STA 40+00.00 TO STA 42+23.90



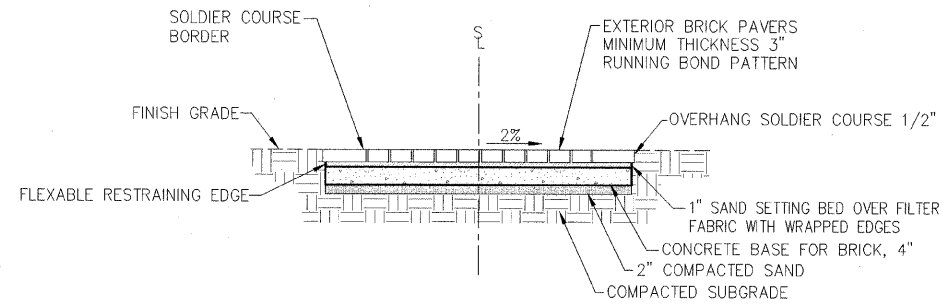
EXISTING TYPICAL STONE SURFACE SPECIAL TRAIL (CROSS SECTION TRAIL THREE)

FIRST LADY PARK - SEE PLANS FOR APPLICABLE LOCATIONS
SCALE: 1/2"=1'-0"
STA 10+00.00 TO STA 11+95.37



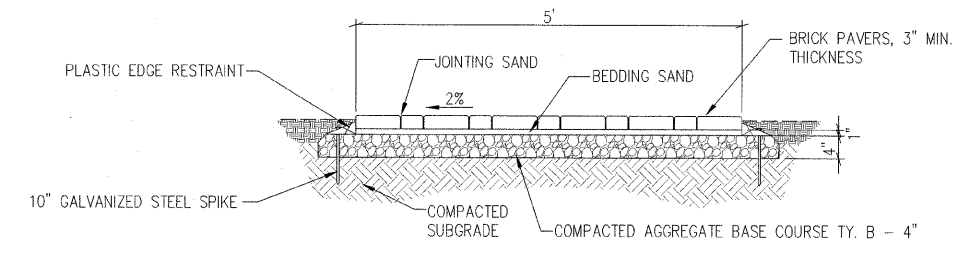
EXISTING TYPICAL STONE SURFACE SPECIAL TRAIL (CROSS SECTION TRAIL TWO)

GRANT HOME AND FIRST LADY PARK - SEE PLANS FOR APPLICABLE LOCATIONS
SCALE: 1/2"=1'-0"
STA 20+00.00 TO STA 22+93.62



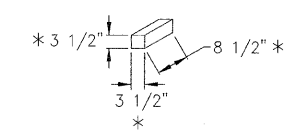
BRICK PAVER SIDEWALK ON A RIGID BASE CROSS SECTION

SCALE: 3/4"=1'-0"
TRAIL #1: STA 40+68.19 TO STA 41+40.97, LT & RT
TRAIL #2: STA 20+05.00 TO STA 21+67.11, LT & RT
TRAIL #3: STA 10+02.50 TO STA 11+92.72, LT & RT



EXISTING BRICK PAVER SIDEWALK ON A FLEXIBLE BASE CROSS SECTION

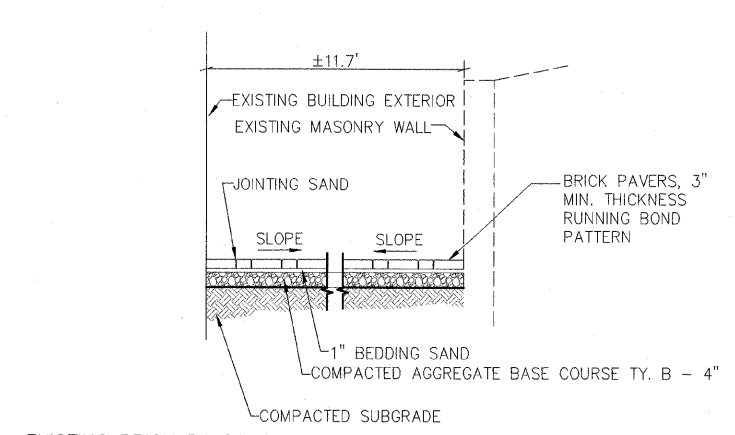
GRANT HOME
STATION 30+25.50 TO STATION 31+17.62
SCALE=3/4"=1'-0"



TYPICAL BRICK PAVER

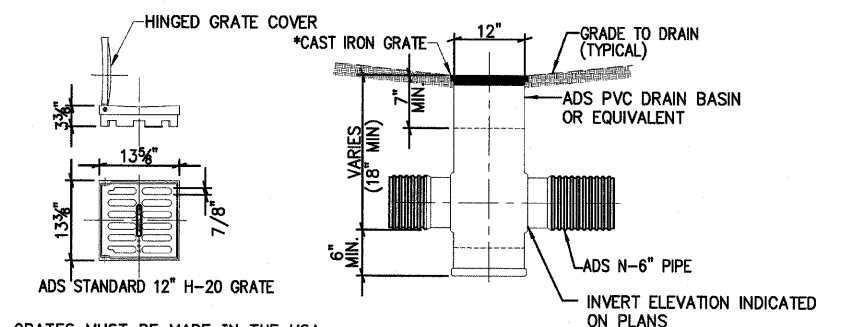
DIMENSIONS MAY VARY. SHOP DRAWINGS AND COLOR SAMPLES SHALL BE SUBMITTED TO IHPA FOR REVIEW PRIOR TO ORDERING.

GENERAL NOTES:
THE PROPOSED SIDEWALKS ARE TO BE CONSTRUCTED WITH PURLINGTON PAVERS, 3 1/2" x 8 1/2" x 3/4" OR APPROVED EQUAL.
THE CONTRACTOR SHALL:
PROVIDE A 4" BASE OF CA 10 AND COMPACTED TO 99% COMPACTION.
PROVIDE A 1" DEPTH OF LIMESTONE SCREENINGS
PROVIDE BRICK PAVERS AND INSTALL USING THE PATTERN INDICATED
THE WORK IS TO PAID FOR AT THE CONTRACT UNIT PRICE PER SQ FT FOR WHICH PRICE INCLUDES ALL LABOR AND MATERIALS NECESSARY TO COMPLETE THE WORK.



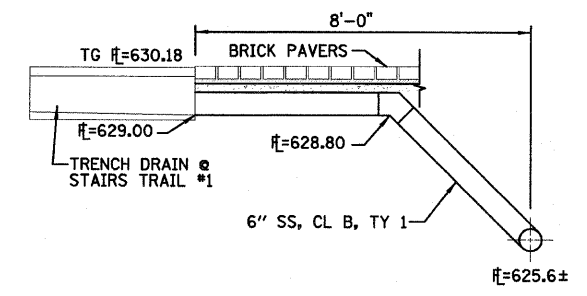
EXISTING BRICK PAVER SIDEWALK ON A FLEXIBLE BASE AT RESTROOM

GRANT HOME
SCALE=1/2"=1'-0"

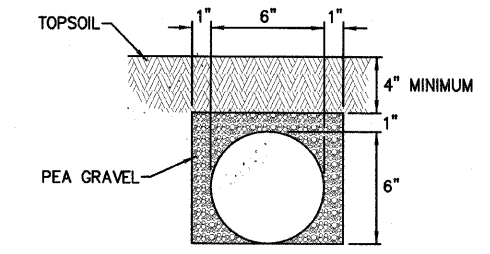


INLETS, SPECIAL DETAIL

*ALL GRATES MUST BE MADE IN THE USA. NO FOREIGN GRATES WILL BE ALLOWED. REMOVABLE NON-HINGED GRATES ARE ACCEPTABLE IF THEY MATCH THE INLET.



PIPE UNDERDRAIN DETAIL ON STAIRS @ TRAIL #1



PIPE UNDERDRAIN DETAIL

1. ALL PIPE UNDERDRAINS SHALL BE PREFORATED CORRUGATED PVC PIPE WITH A SMOOTH INTERIOR AND BE COVERED IN A PIPE SLEEVE PRIOR TO BACKFILL BEING PLACED.
2. DUE TO EXISTING GRADES AND PROXIMITY TO THE BUILDINGS, THE PIPE UNDERDRAINS SHALL BE TRENCHED BY HAND.

FILE NAME = #FILE#	USER NAME = #USER#	DESIGNED - PJM	REVISED -	STATE OF ILLINOIS DEPARTMENT OF TRANSPORTATION	TYPICAL SECTIONS, MISCELLANEOUS DETAILS & LEGEND	F.A.P. RTE.	SECTION	COUNTY	TOTAL SHEETS	SHEET NO.		
		DRAWN - DRR	REVISED -			SCALE:	SHEET NO. 3 OF 18 SHEETS	STA.	TO STA.	JO DAVIESS	18	3
		CHECKED - PJM	REVISED -			CONTRACT NO. 46165						
		DATE - 11/03/10	REVISED -			REVISED 01/27/11 DRR						