

EXISTING LEGEND

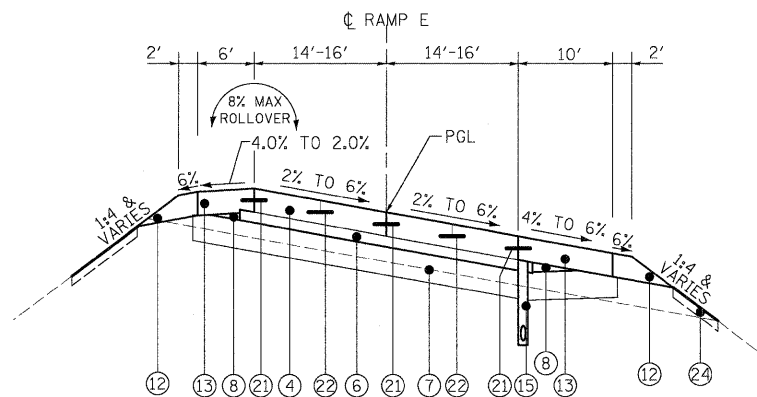
- (A) EXISTING PORTLAND CEMENT CONCRETE PAVEMENT
- (B) EXISTING HMA SUB-BASE
- (C) EXISTING AGGREGATE SUBGRADE
- (D) EXISTING CONCRETE SHOULDER
- (E) EXISTING CURB & GUTTER
- (F) EXISTING PIPE UNDERDRAIN
- (G) EXISTING SUB-BASE GRANULAR MATERIAL
- (H) EXISTING AGGREGATE SHOULDER
- (I) EXISTING BITUMINOUS CONCRETE OVERLAY, 3" AND 10"
- (J) EXISTING HMA OVERLAY, 4"±
- (K) EXISTING HMA PAVEMENT
- (L) EXISTING HMA SHOULDER
- (M) EXISTING BITUMINOUS CONCRETE SHOULDER
- (N) EXISTING GROUND OR BASE COURSE, VARIES
- (O) EXISTING TEMPORARY CONCRETE BARRIER

PROPOSED LEGEND

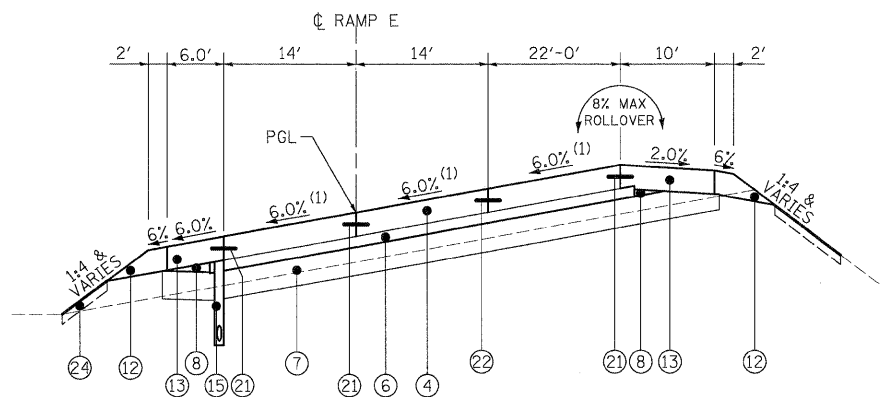
- (1) HOT-MIX ASPHALT SURFACE COURSE. MIX "D", N70, 1.75"
- (2) HOT-MIX ASPHALT BINDER COURSE, IL-19.0, N70, 2.25"
- (3) HOT-MIX ASPHALT SHOULDERS, 10" (IN 3 LIFTS)
- (4) PORTLAND CEMENT CONCRETE PAVEMENT 10" (JOINTED)
- (5) STRIP REFLECTIVE CRACK CONTROL TREATMENT
- (6) STABILIZED SUB-BASE - HOT MIX ASPHALT, 4 1/2"
- (7) AGGREGATE SUBGRADE 12"
- (8) SUB-BASE GRANULAR MATERIAL, TYPE B
- (9) BITUMINOUS MATERIALS (PRIME COAT)
- (10) AGGREGATE (PRIME COAT)
- (11) AGGREGATE SHOULDERS, TYPE B 8"
- (12) AGGREGATE SHOULDERS, TYPE B 10"
- (13) PORTLAND CEMENT CONCRETE SHOULDERS 10"
- (14) PORTLAND CEMENT CONCRETE BASE COURSE 10"
- (15) PIPE UNDERDRAINS 6", 36" NOMINAL DEPTH
- (16) CONCRETE BARRIER, VARIABLE CROSS-SECTION, VARIABLE HEIGHT (SEE PLANS FOR EXACT TYPE)
- (17) CONCRETE BARRIER BASE (SEE PLANS FOR EXACT TYPE)
- (18) COMBINATION CONCRETE CURB AND GUTTER, TYPE B-6.24
- (19) CONCRETE MEDIAN SURFACE, 4" (INCLUDES 4" COARSE AGGREGATE FILL)
- (20) DRILL AND GROUT NO. 8 TIE BARS AT 24" CTS.
- (21) LONGITUDINAL CONSTRUCTION JOINT NO. 8 x 24" TIE BARS AT 24" CTS.
- (22) LONGITUDINAL SAWED JOINT NO. 6 x 36" TIE BARS AT 18" CTS.
- (23) NO. 8 TIE BARS AT 24" CTS.
- (24) TOPSOIL FURNISH AND PLACE, 4"
- (25) PROPOSED EMBANKMENT
- (26) PROPOSED DRAINAGE DITCH

UNSUITABLE EXCAVATION

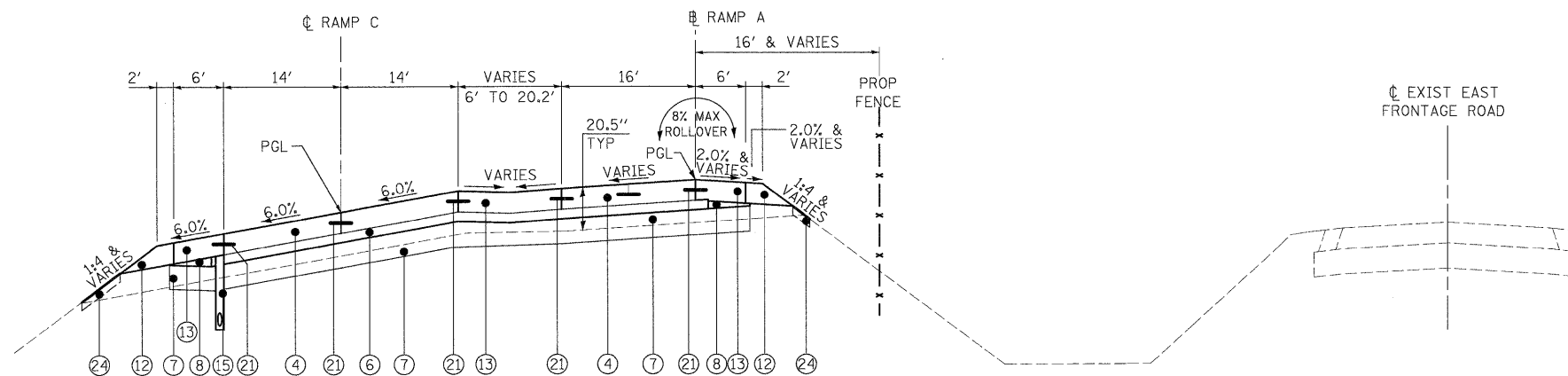
TOPSOIL SHALL BE PLACED ONLY IN LOCATIONS OF PERMANENT SEEDING. SEE LANDSCAPE PLAN FOR LIMITS/LOCATIONS.



PROPOSED TYPICAL SECTION - RAMP E
 STA. 120+22.29 TO STA. 126+08.2
 STA. 125+24.25 TO STA. 126+08.25 (SE TRANSITION)



PROPOSED TYPICAL SECTION - RAMP E
 STA. 100+00.00 TO STA. 120+22.29
 (1) STA. 100+00.00 TO STA. 112+72.83 (FULL S.E. -6.0%)
 STA. 112+72.83 TO STA. 116+59.83 (SE TRANSITION -6.0% TO -2.0%)
 STA. 116+59.83 TO STA. 120+38.29 (NORMAL CROWN -2.0%)
 STA. 120+38.29 TO STA. 122+06.29 (SE TRANSITION -2.0% TO -6.0%)



PROPOSED TYPICAL SECTION - RAMP C
 (STA. 2036+51.23 TO STA. 2038+02.19)
PROPOSED TYPICAL SECTION - RAMP A
 (STA. 7020+27.70 TO STA. 7021+82.16)

McDonough Associates Inc.
 Engineers / Architects
 130 East Randolph Street, Chicago, Illinois 60601

FILE NAME =	USER NAME = TKluagl	DESIGNED - MJT	REVISED -
D160F12-SHT-TYPICAL09.dgn		DRAWN - MJT	REVISED -
		CHECKED - DLT	REVISED -
		DATE - 2/4/11	REVISED -

STATE OF ILLINOIS
DEPARTMENT OF TRANSPORTATION

TYPICAL SECTIONS

SCALE: SHEET NO. 9 OF 10 SHEETS STA. TO STA.

F.A.I. RTE.	SECTION	COUNTY	TOTAL SHEETS	SHEET NO.
55	99-2HB-2B-1	WILL	756	24
CONTRACT NO. 60F12			ILLINOIS FED. AID PROJECT	