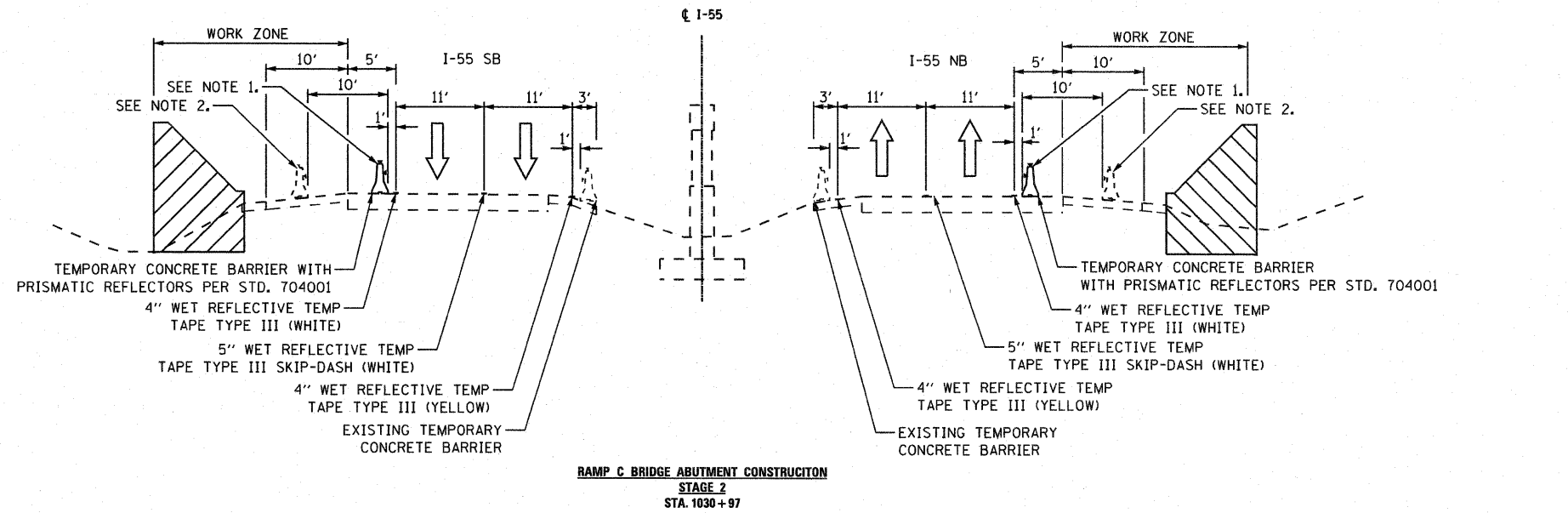
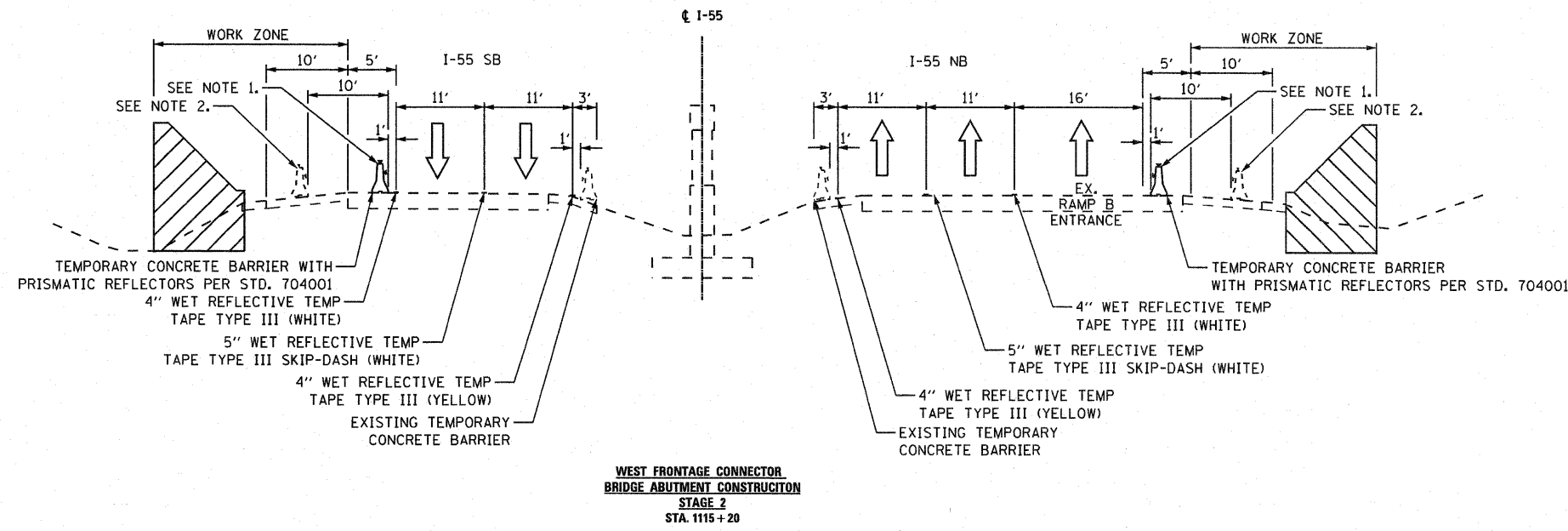


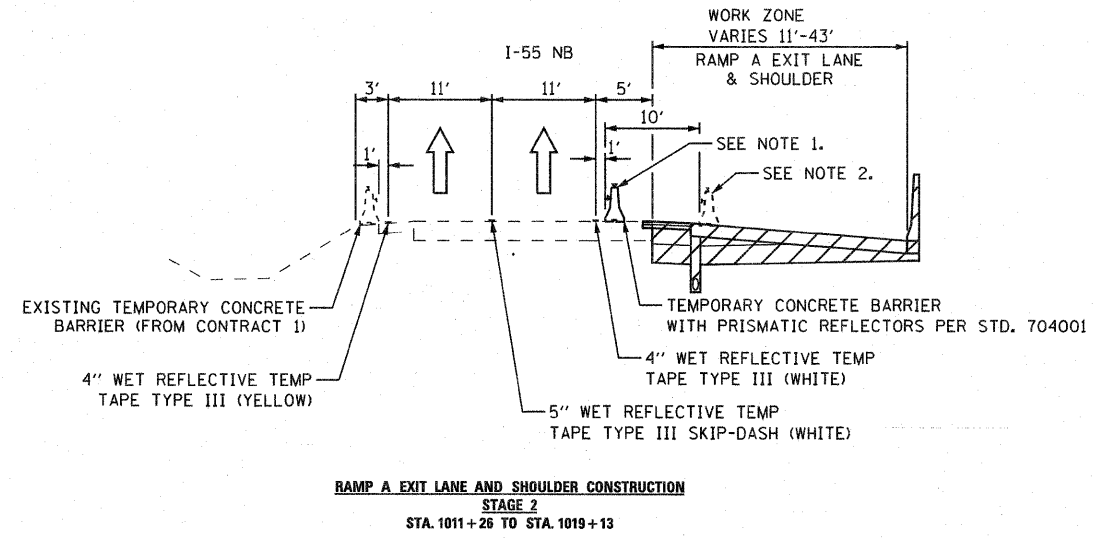
EJM ENGINEERING, INC.
 411 South Wells Street Suite 800
 Chicago, Illinois 60607



RAMP C BRIDGE ABUTMENT CONSTRUCTION
 STAGE 2
 STA. 1030+97



WEST FRONTAGE CONNECTOR
BRIDGE ABUTMENT CONSTRUCTION
 STAGE 2
 STA. 1115+20



RAMP A EXIT LANE AND SHOULDER CONSTRUCTION
 STAGE 2
 STA. 1011+26 TO STA. 1019+13

NOTES:

1. TEMPORARY CONCRETE BARRIER FOR CONSTRUCTION STAGING PRIOR TO NOVEMBER 15, 2011 AND AFTER MARCH 18, 2012.
2. TEMPORARY CONCRETE BARRIER FOR CONSTRUCTION STAGING DURING WINTER SHUTDOWN FROM NOVEMBER 15, 2011 TO MARCH 18, 2012. CONTRACTOR SHALL STAGE CONSTRUCTION TO ENSURE THAT BARRIER IS LOCATED ON EXISTING SHOULDER PAVEMENT OR COMPLETED PROPOSED PAVEMENT. RELOCATION OF TEMPORARY CONCRETE BARRIER AT THE BEGINNING AND END OF WINTER SHUTDOWN SHALL BE PAID AT THE CONTRACT UNIT PRICE FOR RELOCATE TEMPORARY CONCRETE BARRIER.

LEGEND

- CONSTRUCTION ZONE
- TEMPORARY PAVEMENT

FILE NAME = ...\\D160F12-SHT-STAGING02.dgn

USER NAME = g-r-s	DESIGNED - GR	REVISED -
PLOT SCALE = 1:50	DRAWN - GR	REVISED -
PLOT DATE = 2/23/2011	CHECKED - RY	REVISED -
	DATE - 02/04/2011	REVISED -

STATE OF ILLINOIS
DEPARTMENT OF TRANSPORTATION

MAINTENANCE OF TRAFFIC
TYPICAL SECTIONS

SCALE: NONE SHEET NO. 3 OF 4 SHEETS STA. TO STA.

F.A.I. RTE.	SECTION	COUNTY	TOTAL SHEETS	SHEET NO.
55	99-2HB-2B-1	WILL	756	90
FED. ROAD DIST. NO. 1 ILLINOIS FED. AID PROJECT			CONTRACT NO. 60F12	